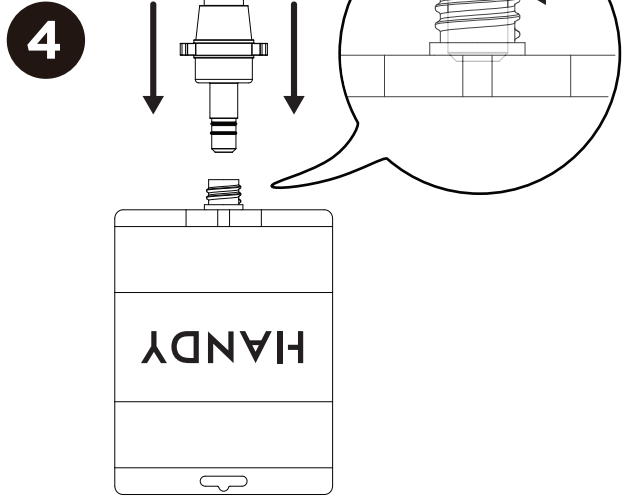
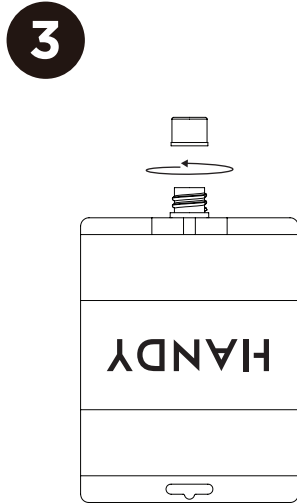
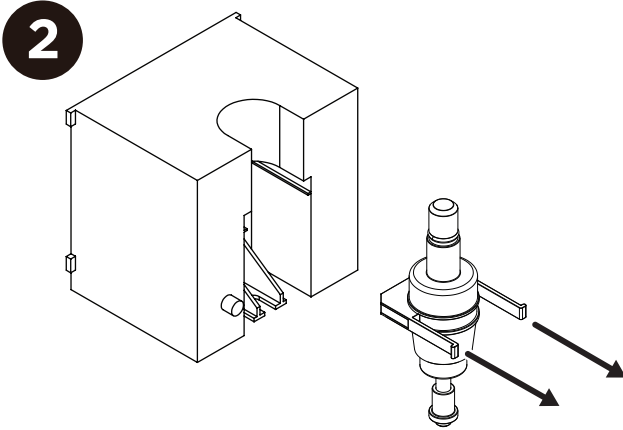
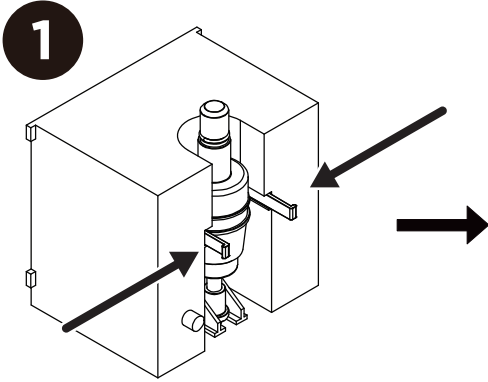


# HANDY SANITISER - REFILL PACK

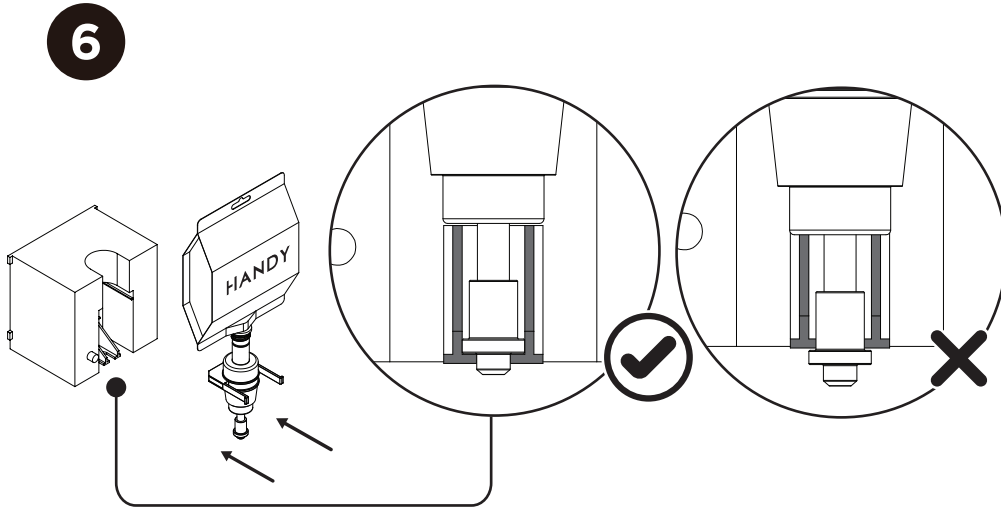
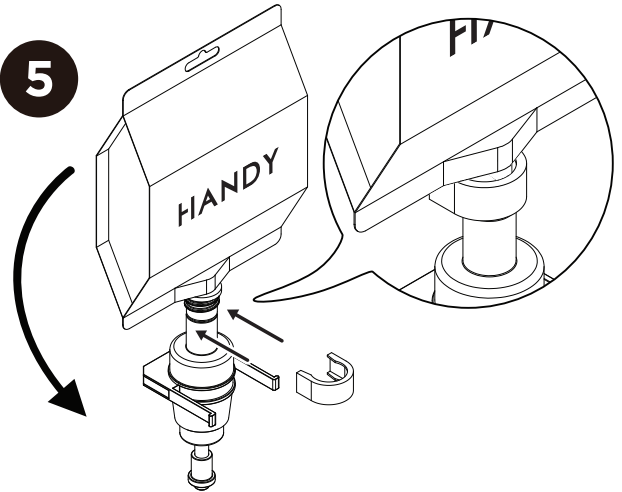


• Slightly squeeze nozzle tabs and pull to release.

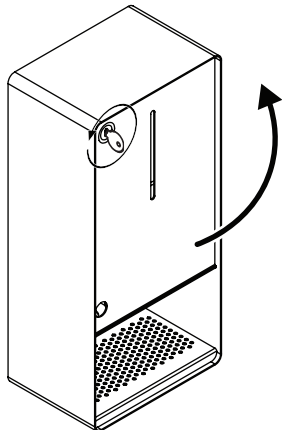
• Remove nozzle.

• With the cap facing UP open your Handy Sanitiser pack.

• Insert nozzle into opening of the Handy Sanitiser pack.  
• Make sure the two rubber rings on the nozzle are inserted completely.



## FIN



• Flip Handy Sanitiser pack around.  
• Secure nozzle clip.  
• Check for any leaks.

• Return nozzle and tank to its original position

• Switch Unit 'ON'  
• Close & lock door  
• Replace graphic