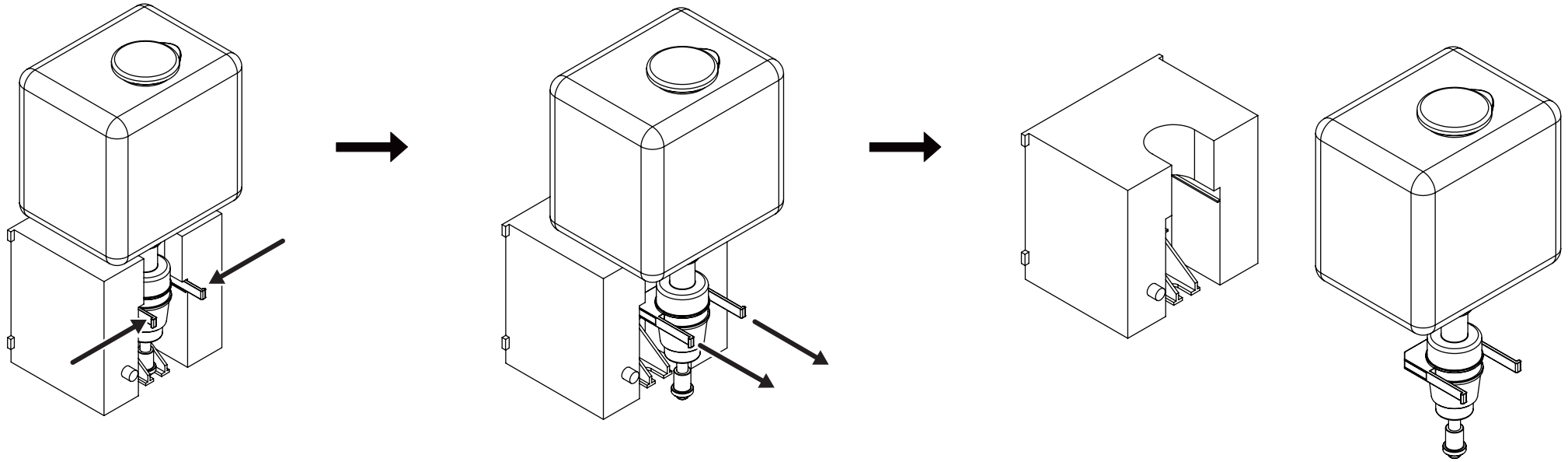


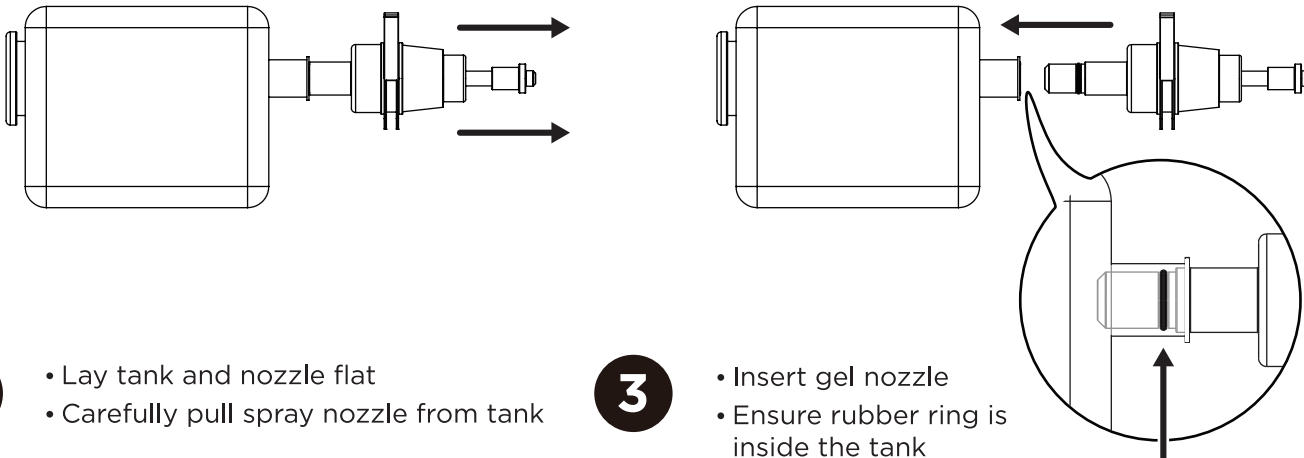
# HANDY SANITISER -

## CHANGE NOZZLE



1

- Ensure tank is empty
- Squeezing the tabs, carefully pull nozzle and tank out



2

- Lay tank and nozzle flat
- Carefully pull spray nozzle from tank

3

- Insert gel nozzle
- Ensure rubber ring is inside the tank

4

- Return nozzle and tank to its original position until you hear a 'click'

FIN