

HANDY SANITISER - BASE UNIT

CARE INSTRUCTIONS

The external unit is made from fabricated steel and the internal compartment is from a combination of Polyethylene, Polypropylene and ABS plastic.

To care for your unit:

- Turn power off prior to cleaning to avoid unnecessary dispensing. Please also avoid turning off power while the unit is dispensing.

- Avoid build up of alcohol sanitiser or cleaners under the tray - you can clean this area by simply removing the tray and cleaning with warm soapy water. Please dry off any liquid after. We recommend cleaning this area of your unit **every day**.

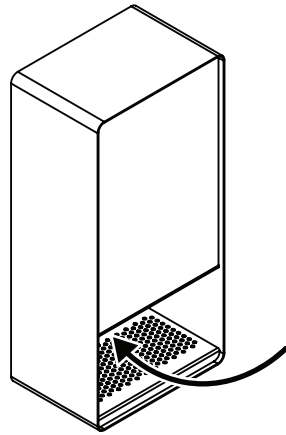
- The external of the unit can be cleaned with a soft cloth. Avoid any abrasive materials as it may scratch and dull the surface.

- Do not use solvents or harsh cleaners. We recommend warm soapy water and then drying with a soft cloth.

- Keep metal dry to prevent tarnishing which can dull or corrode the surface.

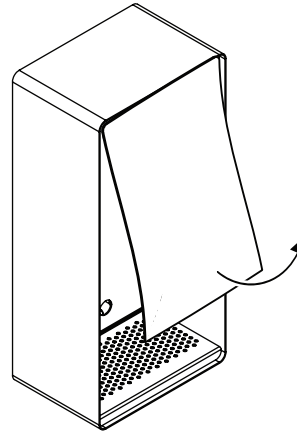
- To avoid spillages, ensure the cap of the internal tank is shut tight. Always transport upright.

- Not intended for outdoor use.



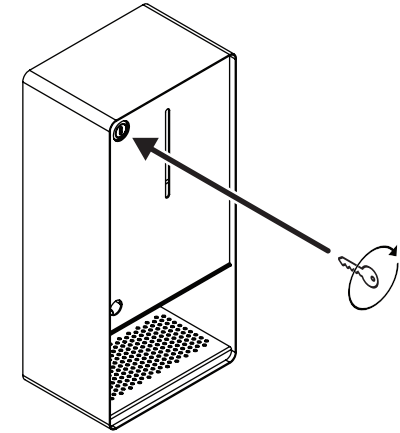
1

• Locate access point on underside to remove graphic



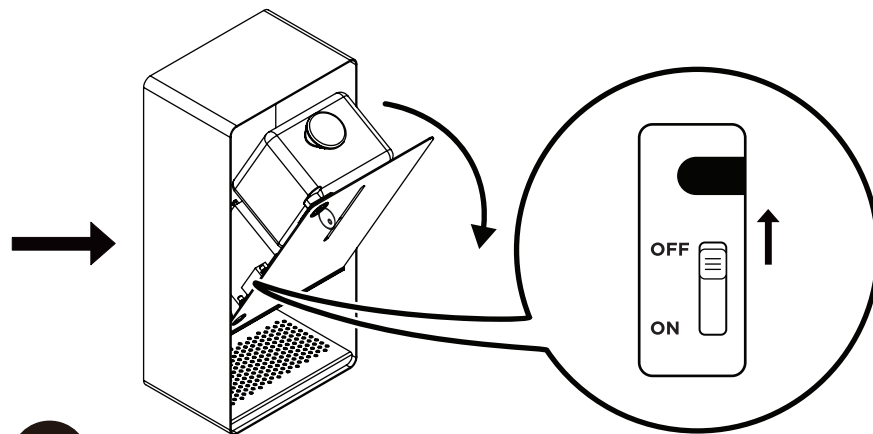
2

• Remove magnetic graphic via access hole



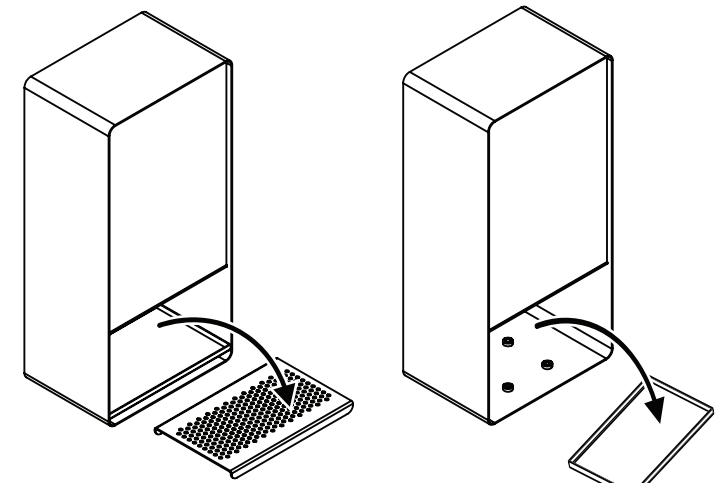
3

• Unlock door



4

• Switch Unit 'OFF'



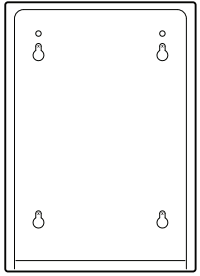
EMPTY TRAY

• Remove outer tray

• Remove inner tray.
• Empty and clean inner tray

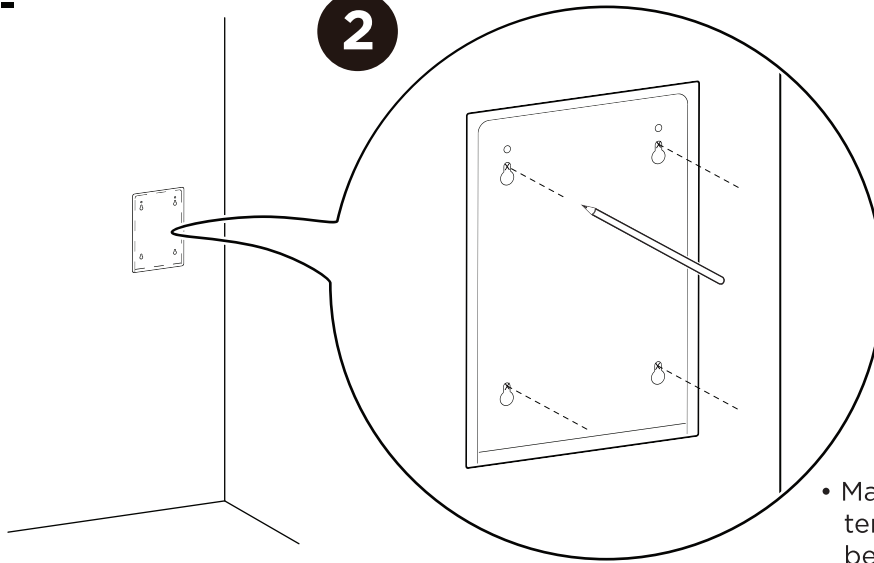
HANDY SANITISER - WALL MOUNTING

1



- line up the provided template on the wall in the desired location of the unit

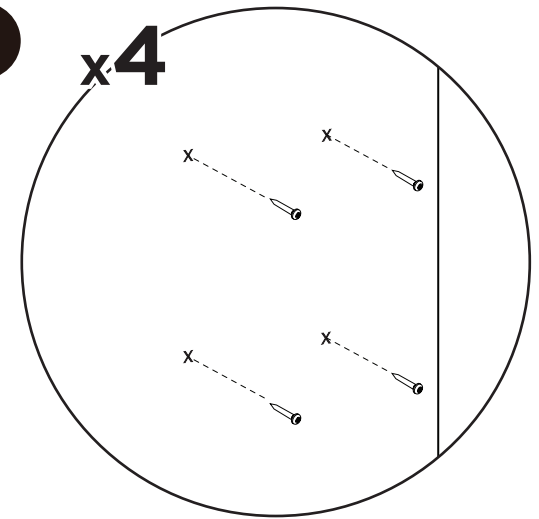
2



- Mark through the template onto the wall behind with a pencil/pen

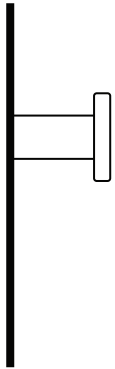
3

x4



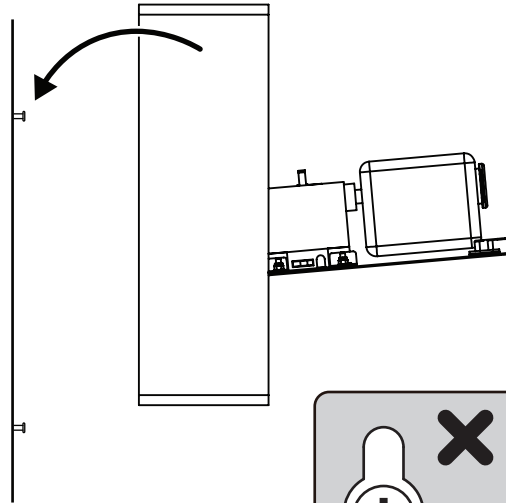
- Install screws at the marked locations

4



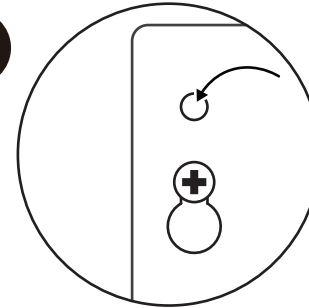
- Leave screws approximately 1cm out from the wall

5



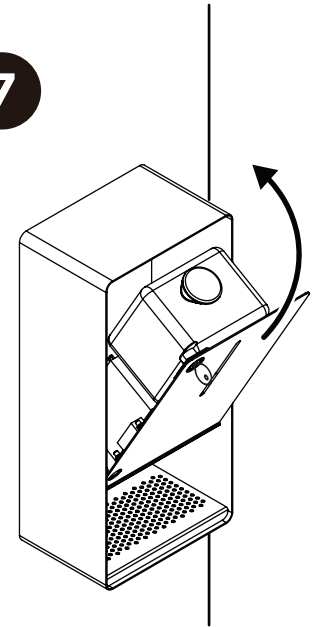
- install unit onto wall via rear keyholes
- Ensure screw is secured in the keyhole correctly

6



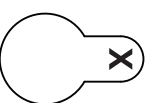
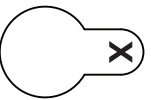
- Install additional screws here for added security (optional)

7



- Switch Unit 'ON'
- Close Door

Mark in the center of the 'X'



SCALE 1:1

0



100mm