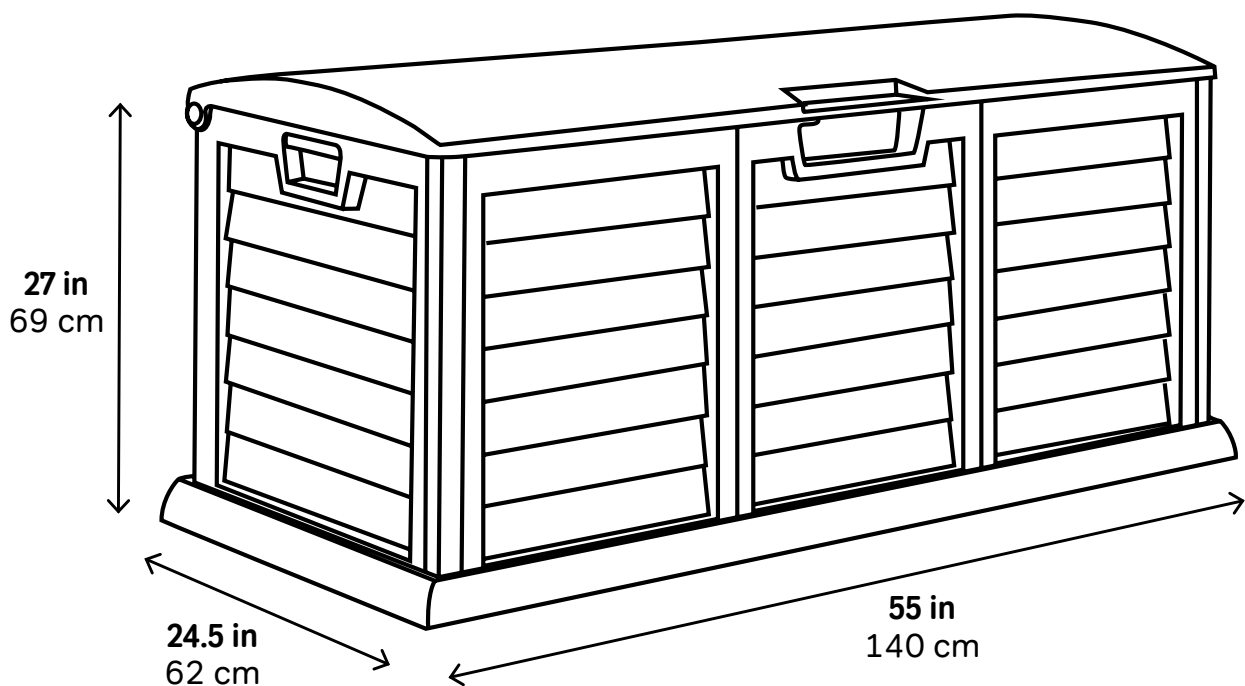
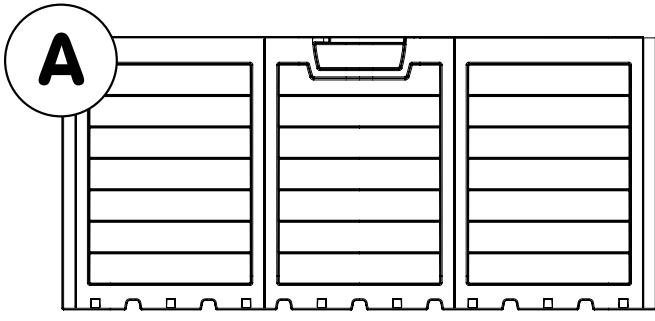


# Deck Box with Dome Lid 116 GAL



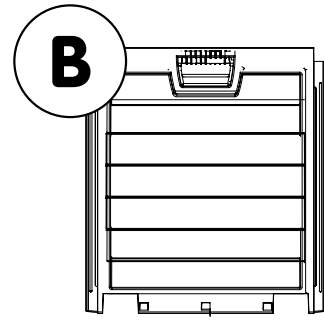
## IMPORTANT!

- Please read these instructions fully before starting assembly and retain for future reference.
- Assembly to be carried out by competent adults only. During assembly, children should be kept away from the product due to possible risk of injury, small parts and sharp fittings.



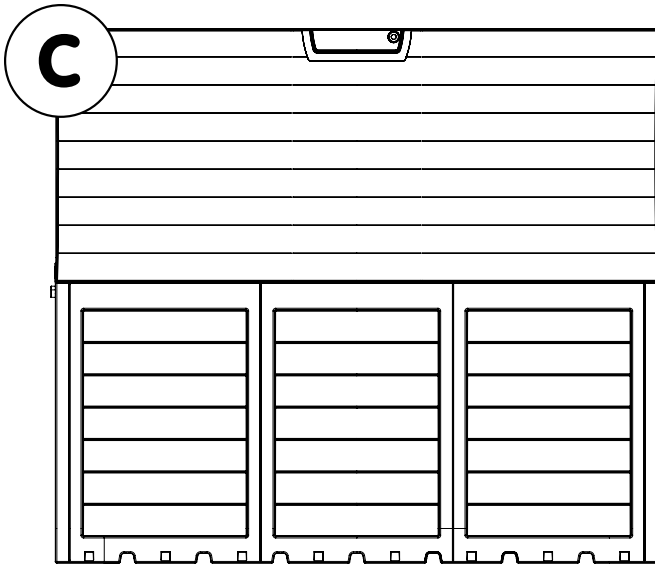
2-00-811

**x1**



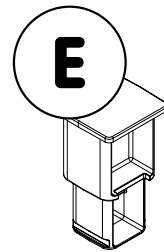
4-00-811

**x2**



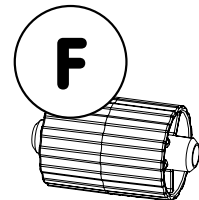
3-00-811

**x1**



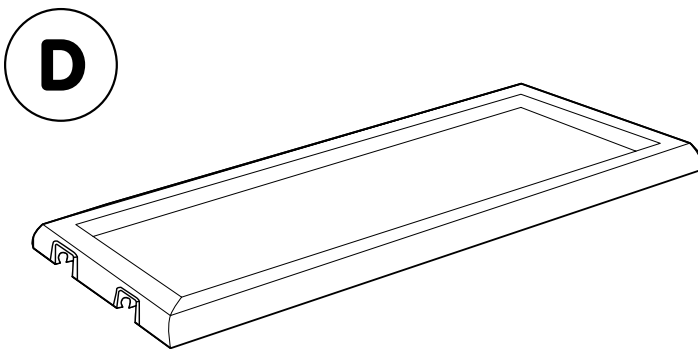
6-03-811

**x4**



6-00-811

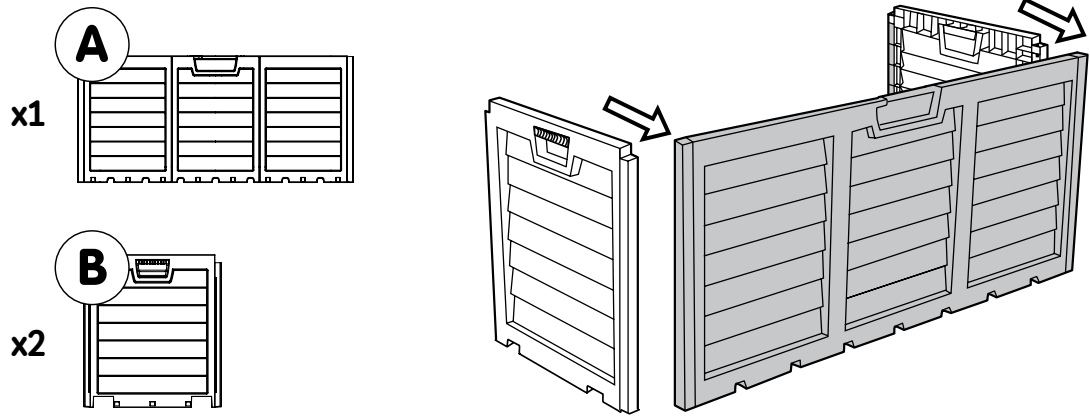
**x2**



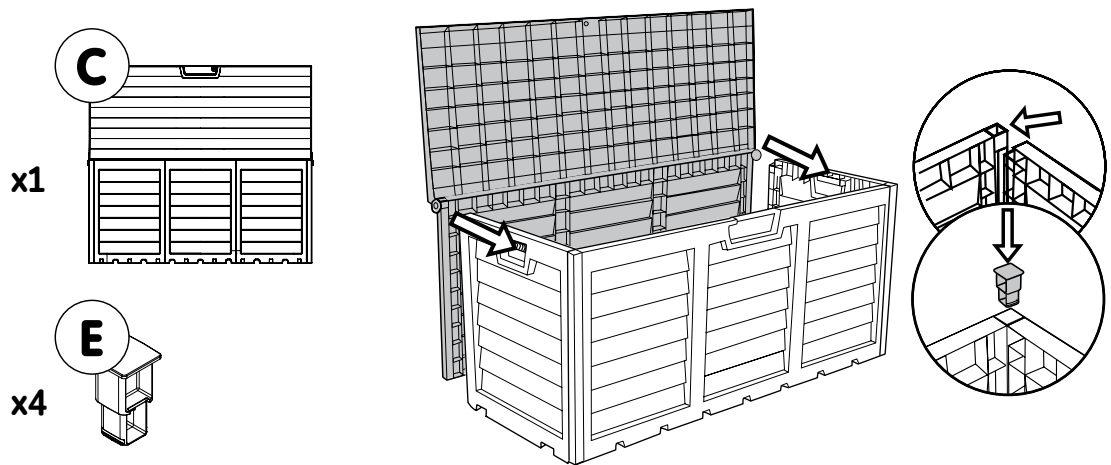
2-14-811

**x1**

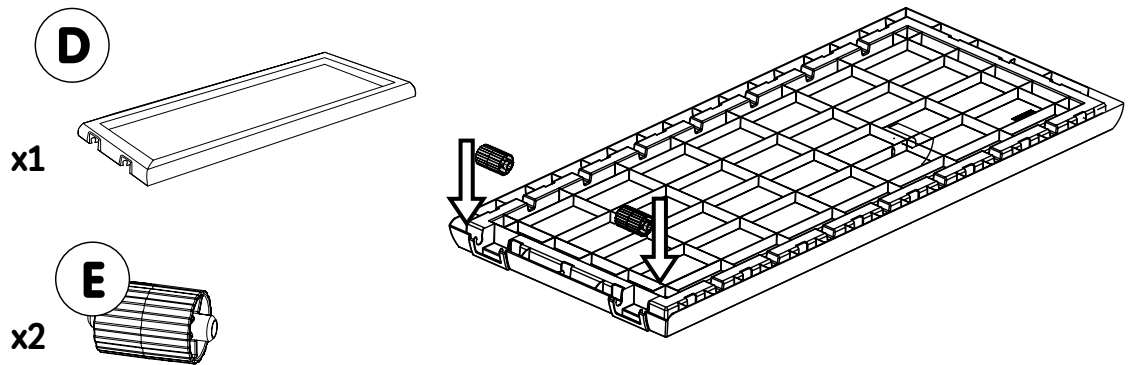
## Step 1



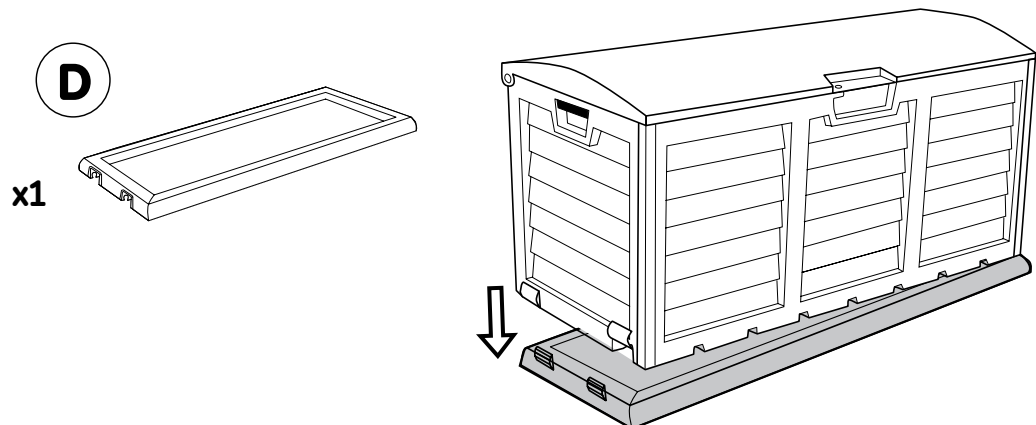
## Step 2



## Step 3



## Step 4



# Product Care & Safety:



## IMPORTANT!

- Please carefully follow the assembly instructions to ensure the product is assembled correctly and safely first time as the product is not designed to be disassembled. Do not skip any step.
- Always place the deck box on a firm level surface and ensure the base remains in contact with the ground during use.
- To clean, wipe with a damp cloth and a mild detergent. To keep it looking good avoid using stiff brushes or abrasive cleaners which could damage the surface.
- If you need to reposition your storage box, you must first empty the box of all its contents. Only move your storage box when empty.
- This product is unsuitable for the storage of hot items, flammable or corrosive substances.
- Do not allow children to stand on or play inside the box. It is recommended the box is kept locked with a suitable padlock (not supplied). Parental supervision of children is required at all times.



## IMPORTANT!

If there are missing or broken parts, do not return the product to the store. Please contact the Starplast customer service at:

**[customerservice@starplastusa.com](mailto:customerservice@starplastusa.com)**



SCAN ME