
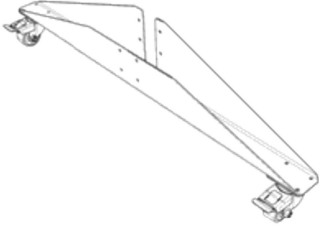
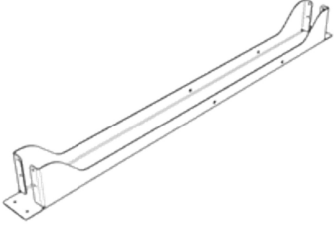
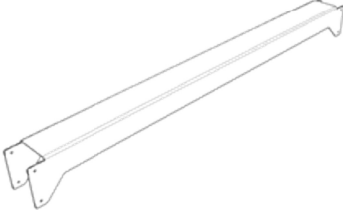




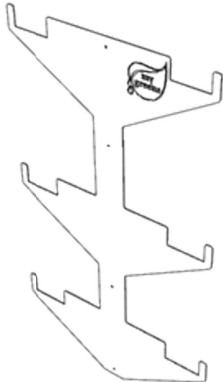
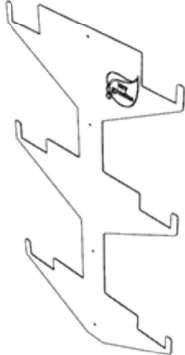
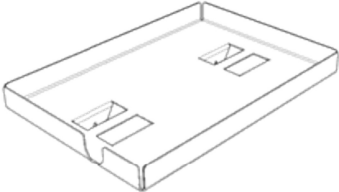
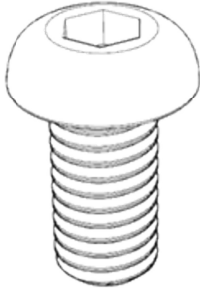
**Plant Tower Frame
Assembly
Instructions**



Part	Quantity Included	Diagram
1. Frame Upright	2	
2. Foot	2	
3. Bottom Rail	1	
4. Top Rail	1	




What's Included?

5. End Plate A	1	
6. End Plate B	1	
7. Reservoir Tray	1	
8. M6 Bolt	40	

Continued



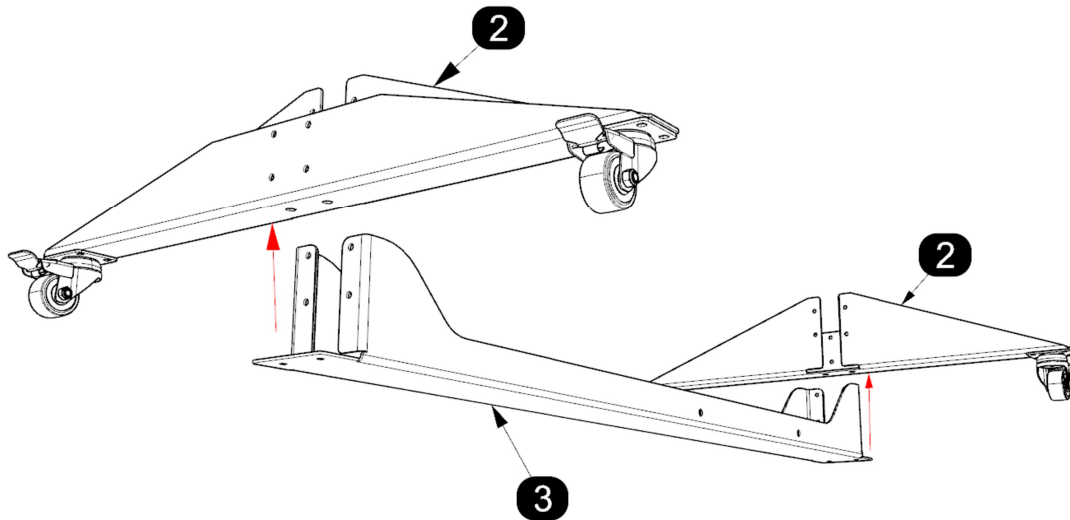
Tool	Quantity Included	Diagram
5mm Allen Key	1	 A technical line drawing of a 5mm Allen key, showing its L-shaped profile with a hexagonal end and a long shaft.

Did you notice our parts are numbered?
These numbers are referred to throughout the instructions!

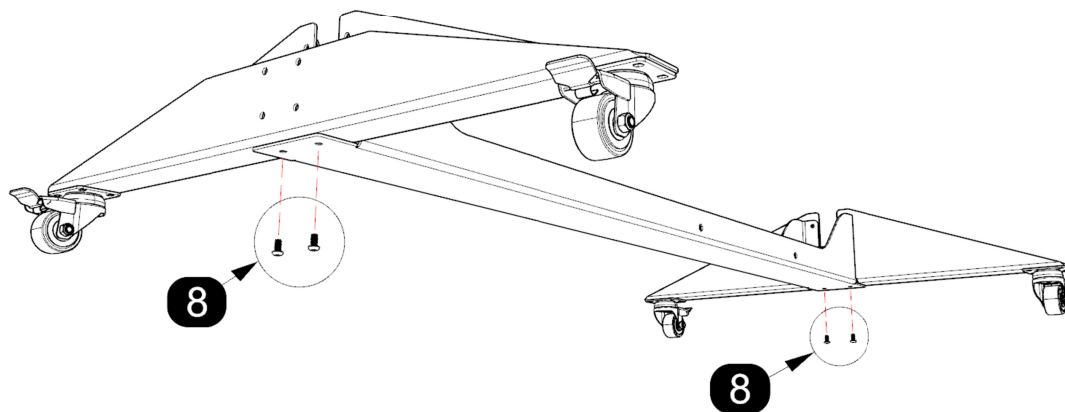
Put Me Together!

Part 1 - Attaching the feet

- a) Place the tab of the **Bottom Rail 3** under centre of the **Foot 2** and align the bolt holes, the tall side of the **Foot 2** faces inward.
*Note: The bolt holes will only align against the **Bottom Rail 3** with the **Foot 2** the correct way around.*



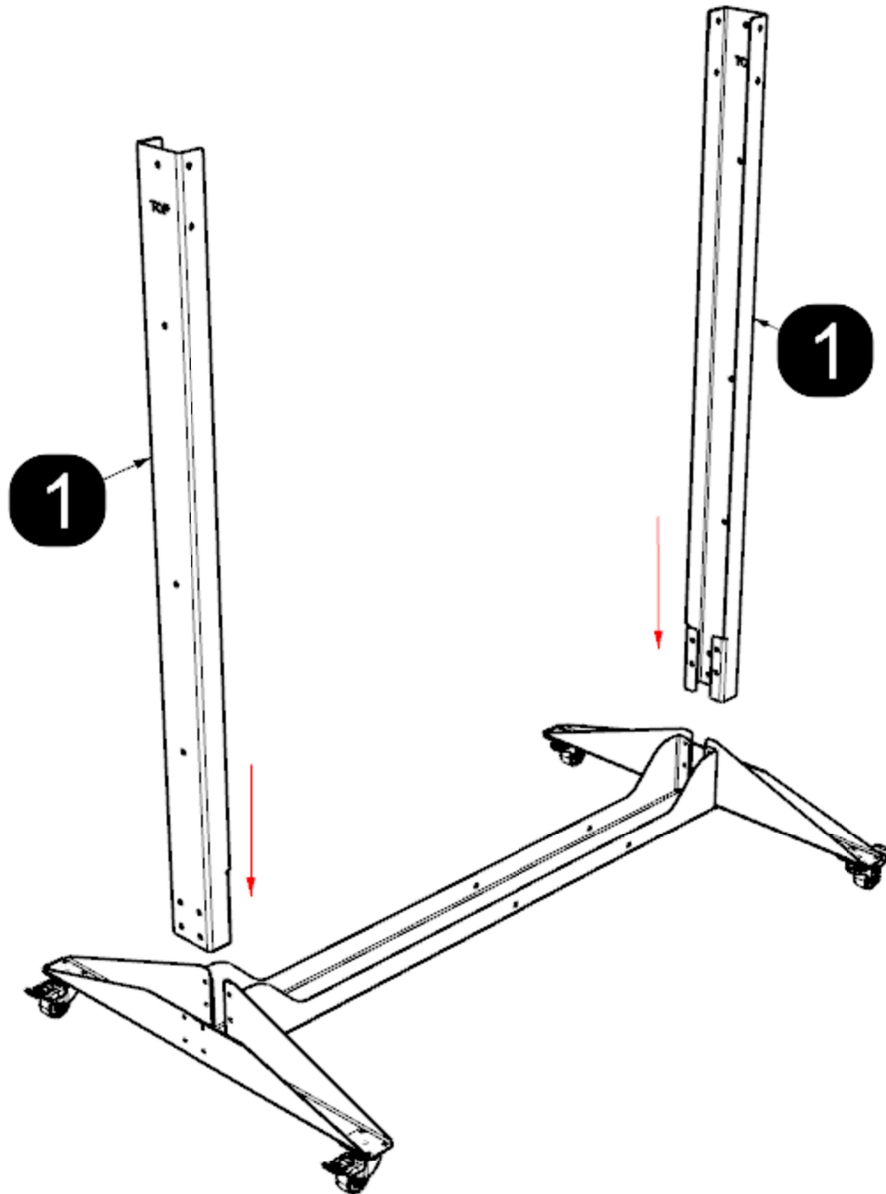
- b) Screw 2x **M6 Bolts 8** into the underside of the **Foot 2** using the 5mm Allen Wrench. Repeat this for the second **Foot 2** at the other end of the **Bottom Rail 3**. Be careful not to over-tighten the bolts.



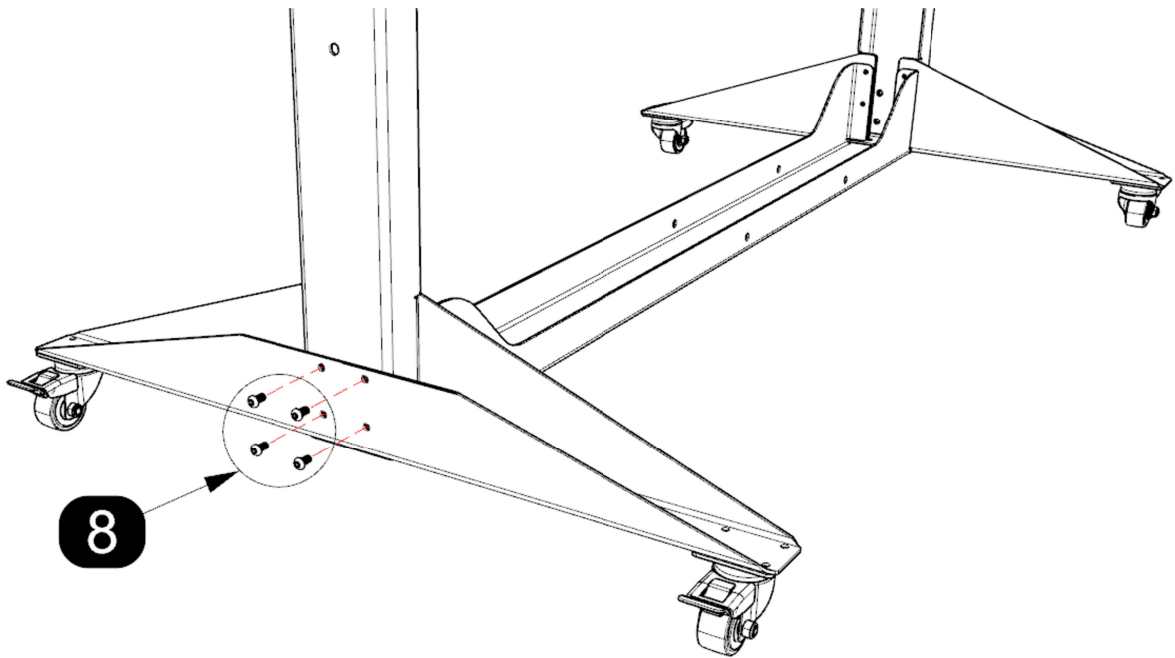
Part 2 - Attaching the Uprights

- a) Place a **Frame Upright ①** into the **Foot ②** at one end of the frame. The top of the frame is marked 'TOP', place the **Frame Upright ①** so that the lettering faces outward.

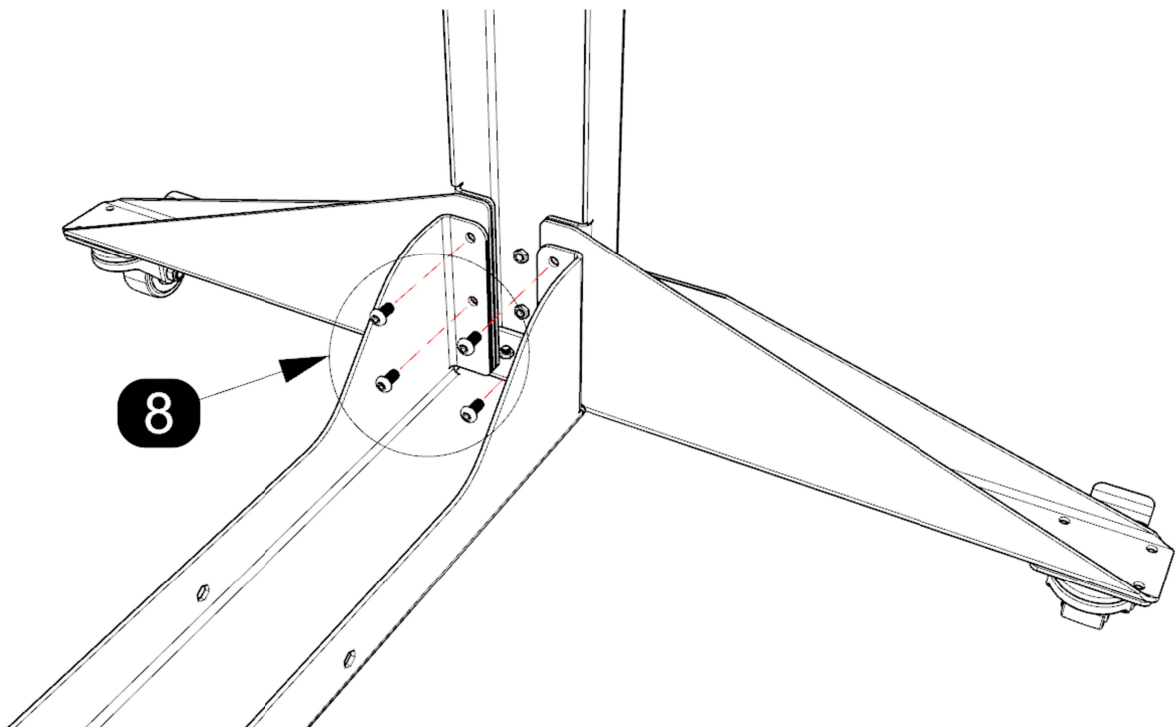
*Note: The bolt holes will only align against the **Bottom Rail ③** with the **Frame Upright ①** the correct way around.*



- b) Screw 4x M6 Bolts ⑧ through the Foot ② into the holes on the outside of the Frame Upright ① at one end, then repeat this at the other end of the Bottom Rail ③.



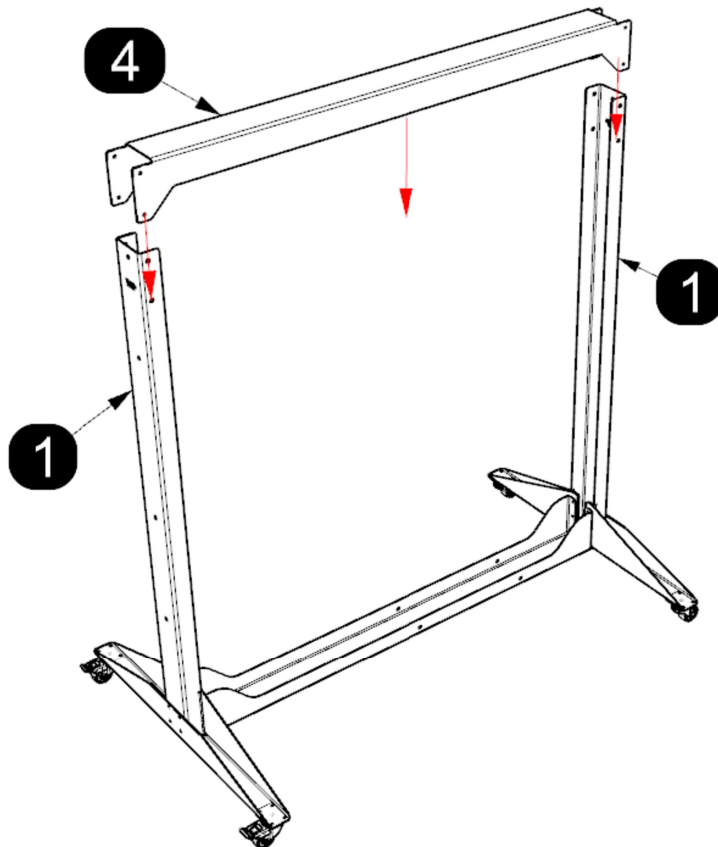
- c) Screw 4x M6 Bolts ⑧ through the Foot ② into the holes on the inside of the Frame Upright ① at one end, then repeat this at the other end of the Bottom Rail ③.



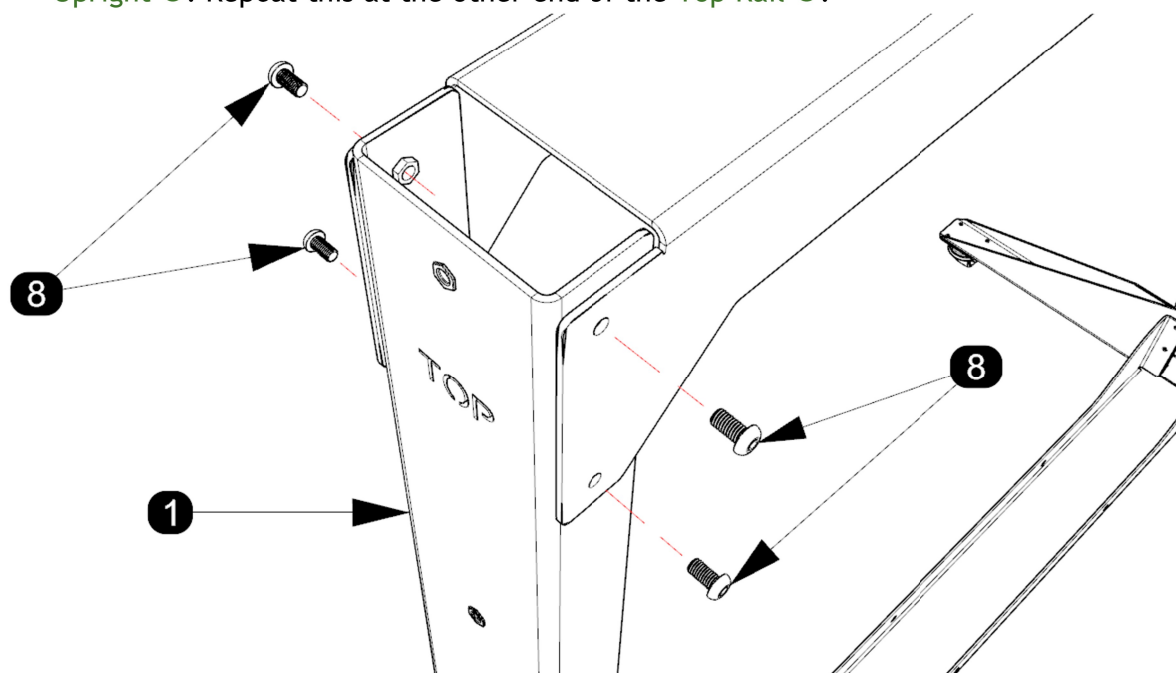
Part 3 - Attaching the Top Rail

- a) With your frame now standing, place the **Top Rail 4** between the two **Frame Uprights 1** and align the bolt holes.

Note: It may be easiest to have someone hold the Top Rail for you during this step.



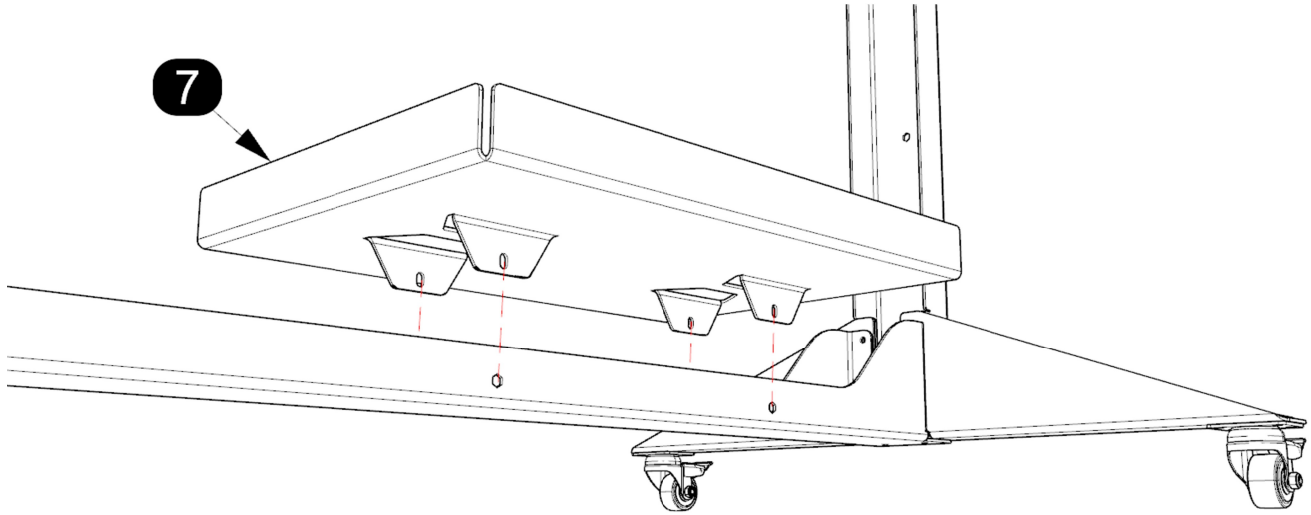
- b) Screw 2x **M6 Bolts 8** through one end of the **Top Rail 4** into each side of the **Frame Upright 1**. Repeat this at the other end of the **Top Rail 4**.



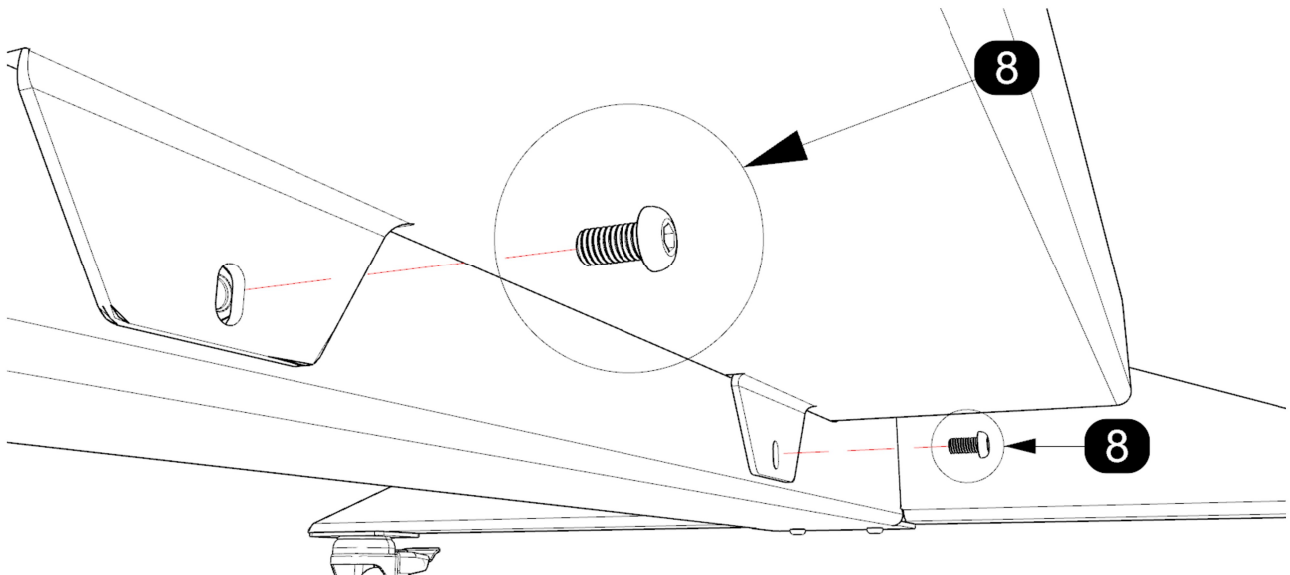
Part 4 - Attaching the Reservoir Tray

- a) Your frame's **Bottom Rail 3** has four holes towards one end of its mid section. Place your **Reservoir Tray 7** on the rail and align the bolt holes.

Note: Your Reservoir Tray 7 tray is designed to rest on the Bottom Rail 3.



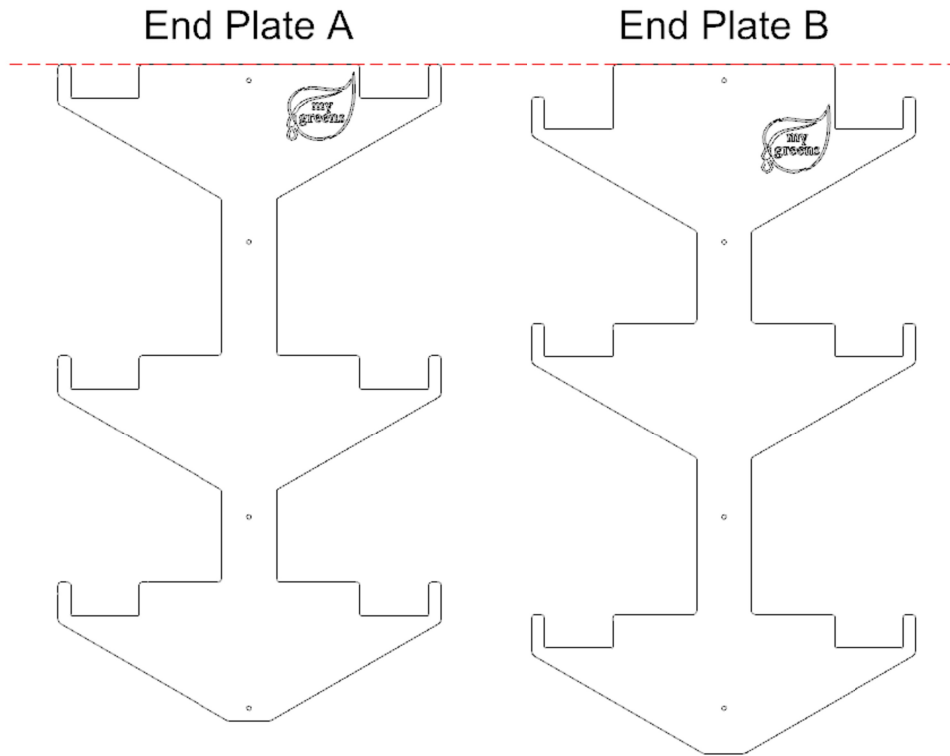
- b) Screw 4x **M6 Bolts 8** through the tabs of the **Reservoir Tray 7** (2x **M6 Bolts 8** each side) into the **Bottom Rail 3**.



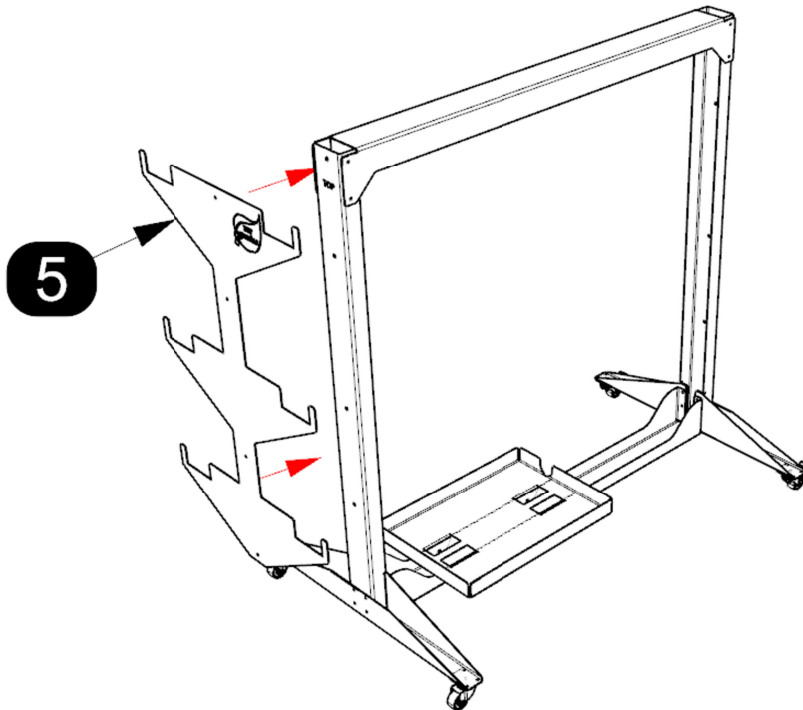


Part 5 - Attaching the Framing End Plates

- a) Pick out **End Plate A** ⑤, this one is shorter and has a flush top.

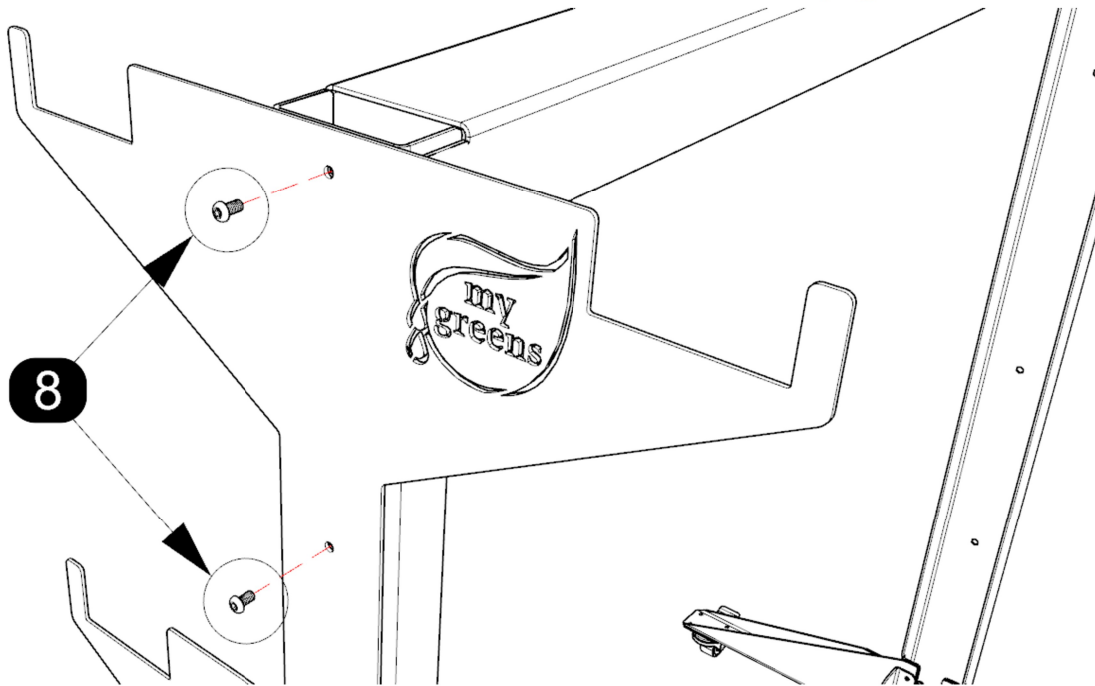


- b) Place **End Plate A** ⑤ against the **Frame Upright** ① closest to the reservoir tray and align the bolt holes.

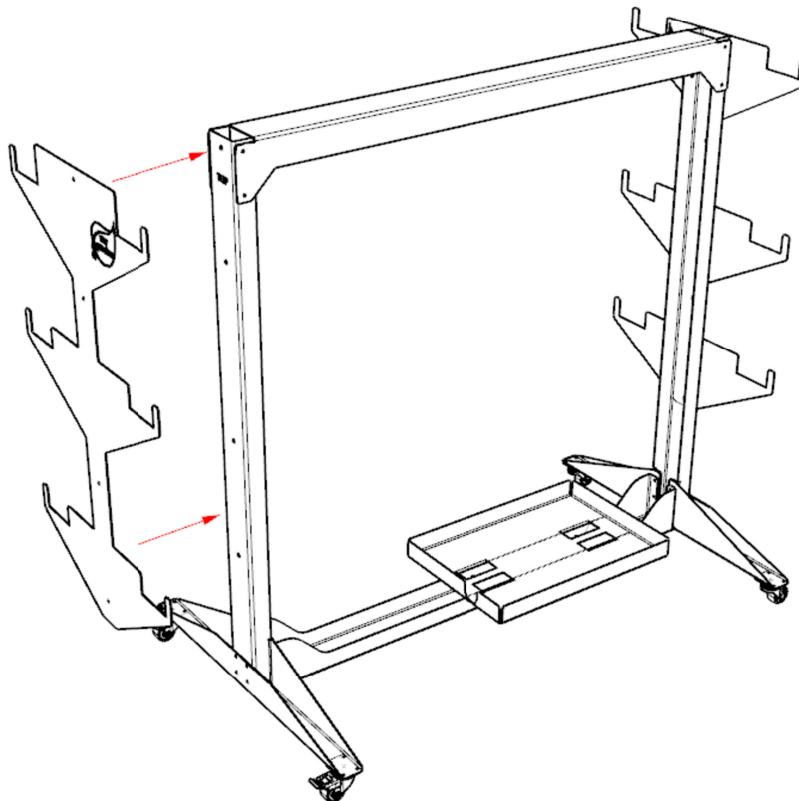




c) Screw 4x M6 Bolts ⑧ through End Plate A ⑤ into the Frame Upright ①.

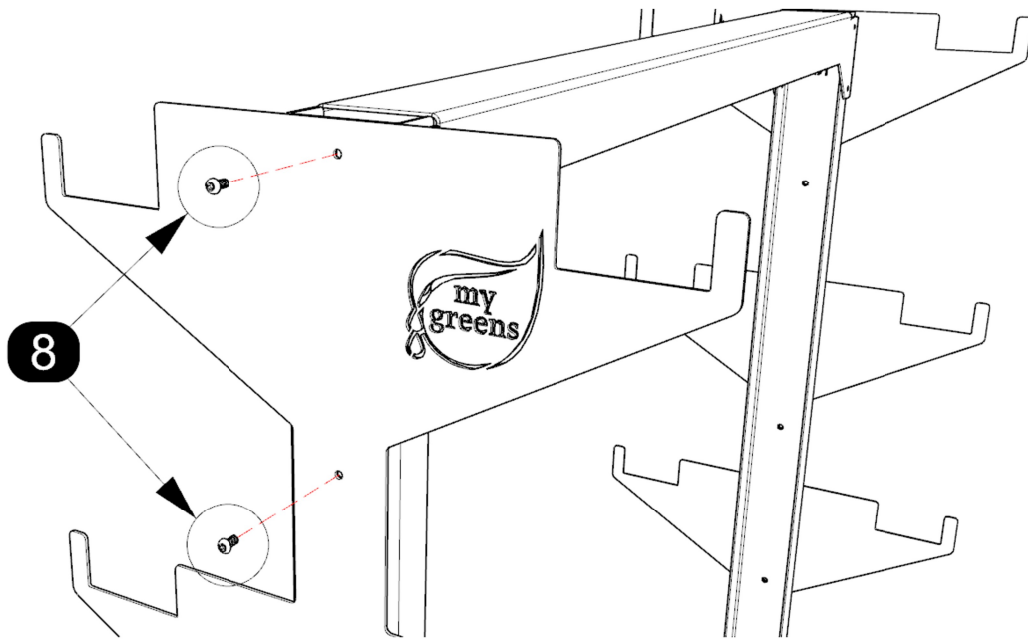


d) Place End Plate B ⑥ against the Frame Upright ① closest to the reservoir tray and align the bolt holes.





e) Screw 4x M6 Bolts ⑧ through End Plate B ⑥ into the Frame Upright ①.



Congratulations! Your planter frame is now complete!

