



TYMBR



Easy to Maintain



Stain Resistant



Water Resistant



Scratch Resistant



Fast & Easy Installation



Pet Friendly



Compatible with Radiant Heating

WOOD FIBER CORE FLOORING INSTALLATION AND MAINTENANCE INSTRUCTIONS

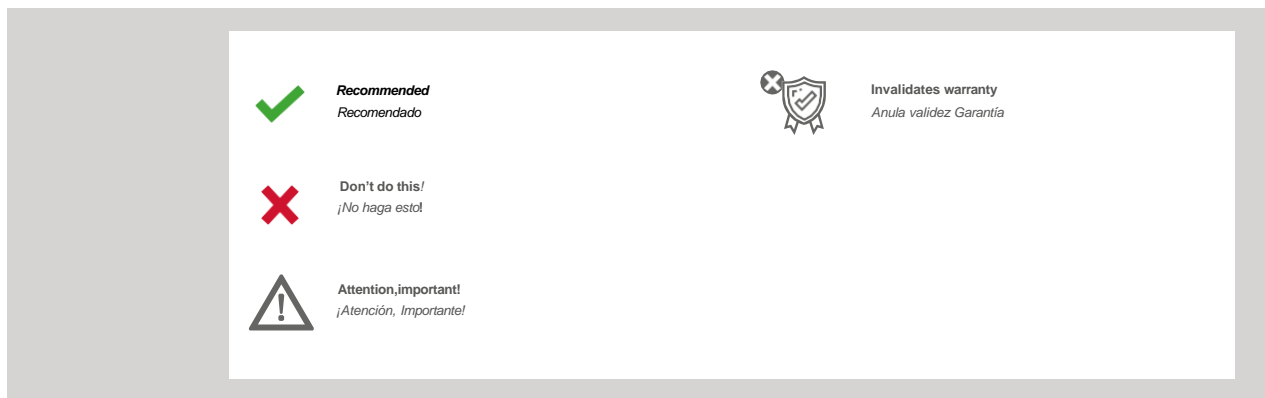
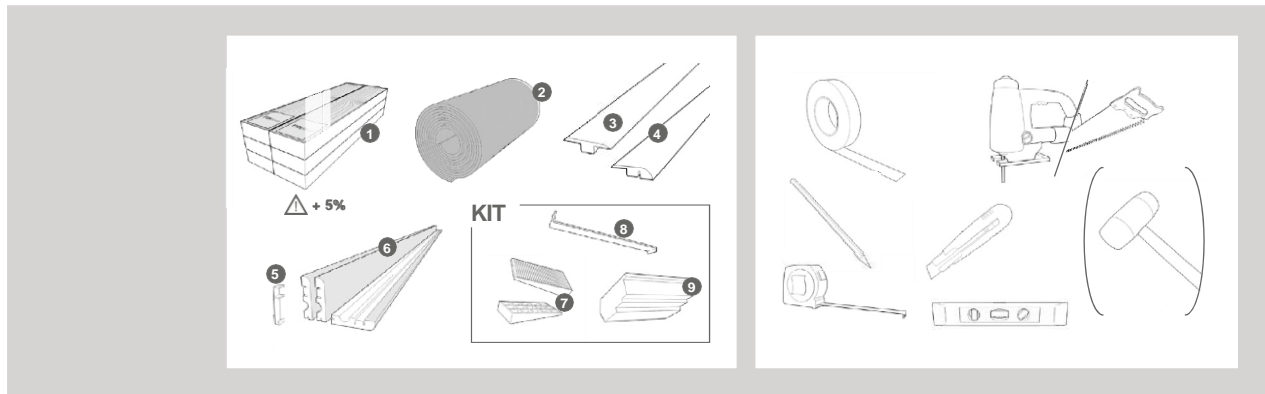
Materials and tools

Typical Tools Required

Saw, masking tape, pencil, level, and hammer (preferably rubber)

Material Required

Flooring, underlay, moldings, expansion spacers, PE 3/8" foam backer rod and lever



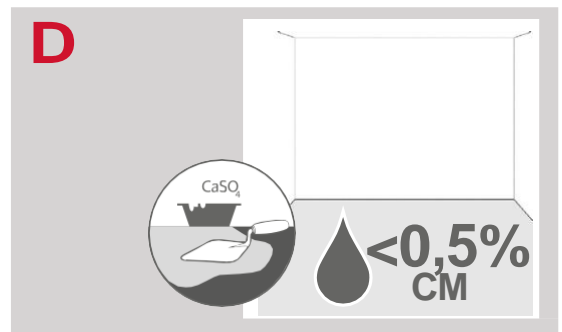
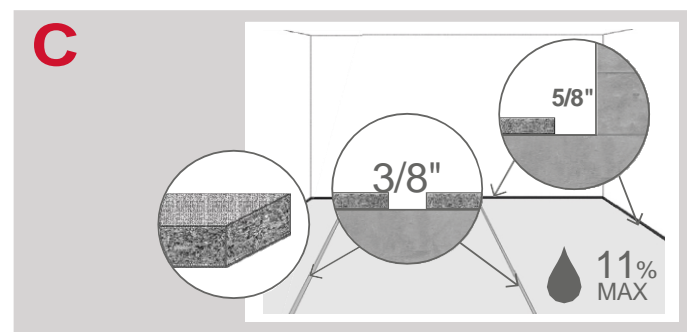
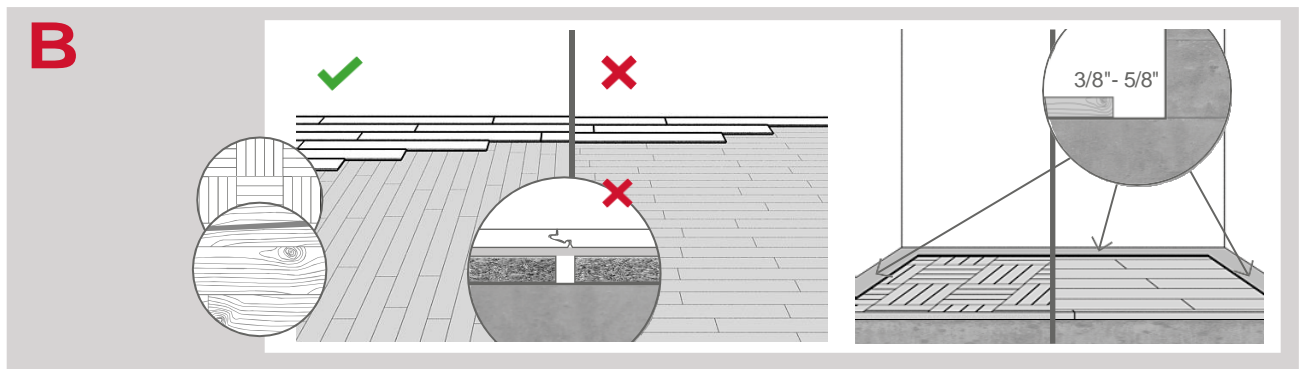
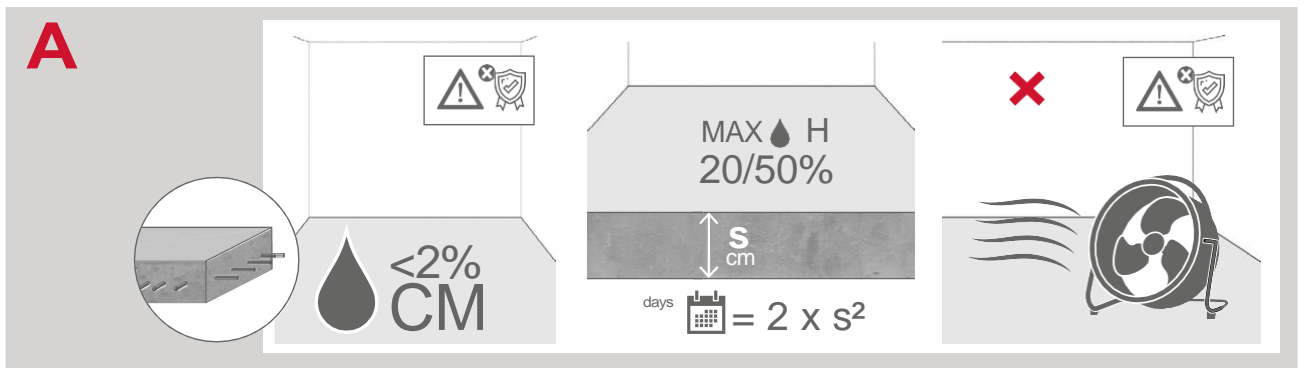
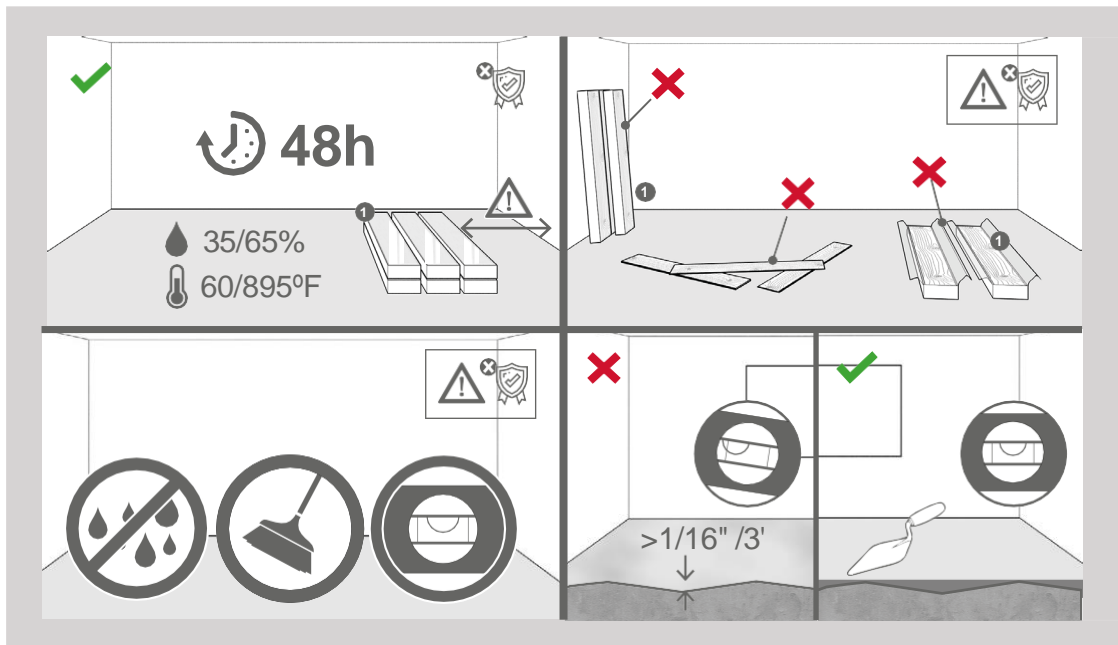
Pre-installation preparation

Site Requirements

TYMBR is a durable floor cover that is not intended as structural material. Requires a clean, dry, secure subfloor that meets building codes. The following requirements do not supersede federal, state or local building codes, but as with many other interior finish products, may require modifications to structural components for proper installation. Owner assumes responsibility for compliance with all building codes. Flooring is suitable for use in climate controlled (35-65% RH and 60-85° F) indoor installations only and should not be installed in rooms with floor drains or sump pumps. The floor can be installed above, on or below grade. A moisture test is strongly recommended to determine if high moisture exists in the subfloor. When using a calcium chloride moisture test for concrete subfloors (ASTM F1869), values must be ≤ 5 lbs/1000ft²/24-hr.

Installation Preparation

- TYMBR products need to acclimate for 48 hours prior to use with the boxes unopened and stored horizontally, well away from walls
- Remove existing floor and underlayment. Do not remove product unless they are asbestos-free
- Undercut door frame and wallbase by sliding the flooring at least 1/4" underneath the door frame and wallbase
- Clean all debris from subfloor before installation
- Fill any low spots in the subfloor greater than 3/16" in 10 feet with a leveling compound. Remove any high spots by sanding or grinding.
- For concrete subfloors, install a vapor barrier with overlapped seams of 8" or more
- For planks without attached underlayment, install over single layer of underlayment appropriate for TYMBR floors.
- **On Concrete Subfloors**– Always test a concrete subfloor for excessive moisture before installing over concrete, concrete covered with ceramic tile, marble, stone, vinyl tile, or linoleum. To test concrete, use a properly calibrated and reliable concrete moisture meter. The maximum allowable moisture content percentage for concrete is 4%. If the moisture meter readings are above 4%, have a qualified floor covering contractor perform a Calcium Chloride moisture Emissions test. The maximum allowable reading for a Calcium Chloride Test is 5 lbs./1000 sq. ft./24 hours.
- **On Wood-based Subfloors**– Moisture content of the wood subfloor must not exceed 12% when checked using a pin-type wood moisture meter. Whenever readings are higher than 12%, full evaluations of the joist systems, crawl spaces or basement areas beneath the wood subflooring are also necessary.



Installation

Flooring Installation Guide

1. Inspect each plank before installing. Planks should be installed while blending planks from several cartons at the same time to ensure good color and shade mixture throughout the installation.
2. Start the first row along straight walls, remove the tongue on all long side joints and on the short side of the first plank only.
3. When walls are uneven, trace contour on tongue side of plank and cut.
4. Assemble the first-row tongue side toward wall. Insert the end tongue into the end groove and rotate downward to assemble. Keep the planks aligned and the joints closed.
5. Two spacers thick side to thick side equals 3/8".
6. Provide a 3/8" space for expansion on all sides. First piece must be at least 8" long. Start new rows with pieces trimmed from previous row. Ensure at least a 6" end joint offset.
7. At a slight angle, insert the tongue of plank 2 into the groove of plank 1 until the TRUCOR XL edges meet, and then rotate down until the joints lock.
8. Join the short end of the plank first. There will be a gap on the long side joints when the plank is rotated down.
9. Raise the outside edge of the plank upward approximately 1". Maintain this angle as you push the plank in until the TRUCOR XL edges meet.
10. Rotate downward on the plank until the joint locks. Repeat these steps to complete the installation.
11. Alternate Tap Method: Align the tongues into the grooves of the long and short sides of the planks. Install the long side first with a tapping block by tapping lightly along the long side until the joint is closed tightly. Then tap the end using the tapping block into a locked position. Note: Uneven tapping or use of excessive force may damage the joint.
12. Ensure there will be a 3/8" gap (after the joint is closed) to the wall for expansion.
13. For the last row, align the plank to be used on top of the second to last row. Using a full width plank as a spacer, trace wall contour and cut plank.
14. For the last row, install the long side tongue into the groove with the end joint aligned. Using a pull bar and hammer, work evenly along the length of the plank and lightly tap the joint closed.
15. After tapping the long side joint closed, tap the short side closed, using a tapping block or a pull bar.

*Installation Tip: Place a carton of planks across the end of the row being installed to keep installed planks in place during installation.

Under Doorway Frames Installation Guide

1. Slide plank under the pre-cut door frame.
2. Tap long side joints first and then tap end joints closed last.

Fixed Objects Installation Guide (Pipes)

1. Leave 3/8" expansion space around fixed objects

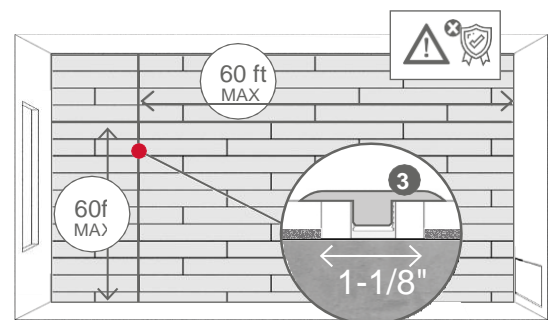
Finish Floor Installation

1. Remove expansion gap spacers.
2. Apply flexible silicone sealant around the entire perimeter of installation.
3. Install moldings and immediately wipe away excess silicone sealant.
4. Silicone fixed object and doorframes.

Expansion joints

Use expansion gap spacers to make sure that a gap is left between walls and columns, and the floor pieces of 3/8" throughout the perimeter. This gap will be hidden in the end with the base board and profiles and will give the product the space necessary for expansion and contraction. In the case of holes for pipes, measure the diameter of the pipe and make a hole 1" bigger. Cut a section with a saw as shown in the figure and put the board in place on the floor.

Then lay the cut section in place like a jigsaw puzzle. Likewise, when laying the flooring over a large surface area, you should also leave a 1-1/8" expansion gap (3/8" for the width of the clips and 3/8" for each length, note that the base of the profile is asymmetric, although this does not affect the spaces for expansion) every 60 feet lengthways and every 60 feet widthways. For Spaces larger than 30 feet in length or width it is recommended to increase expansion by 1/16" per 3 feet above 30 feet in each direction.

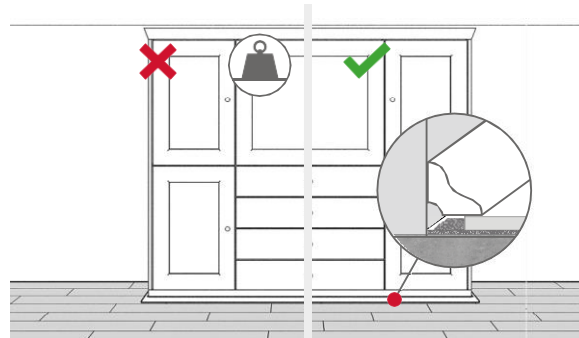
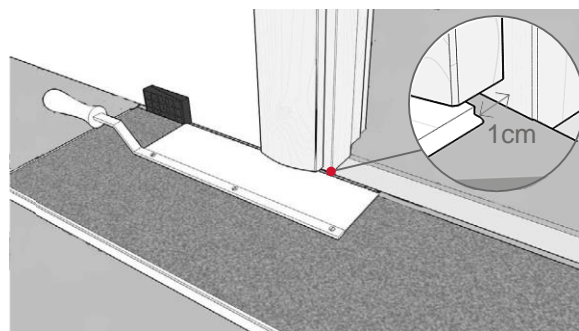
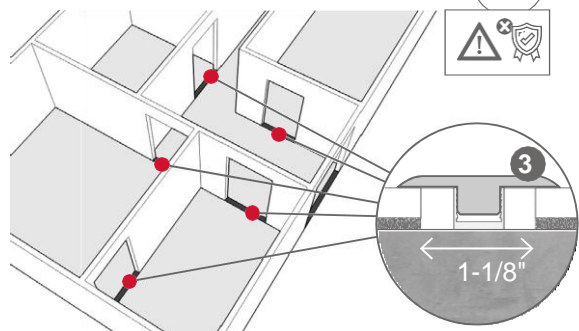
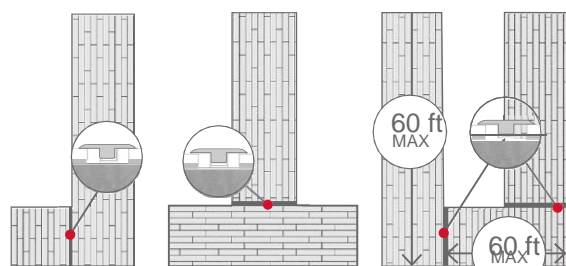


In T, L or U shaped rooms, you should also leave expansion gaps to facilitate the free movement of the material. These gaps will be hidden later with expansion profiles (also available in our range of accessories).

=In doorways, a 1-1/8" gap should be left (3/8" for the width of the profile base and 3/8" for each length) where the expansion profiles will be placed to separate the different rooms.

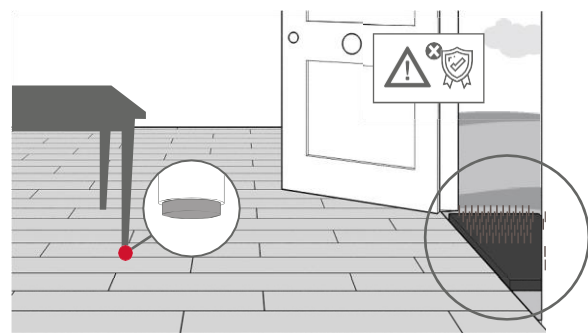
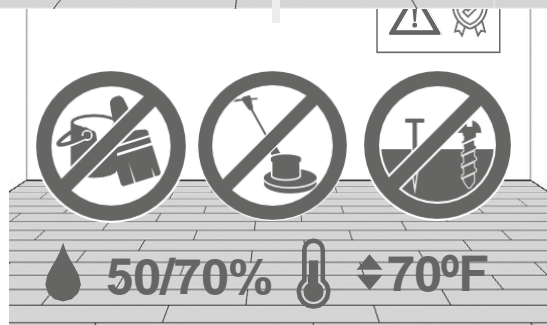
Door frames require special care as 3/8" also needs to be left to allow for expansion.

Certain pieces of heavy furniture (bookcases, wardrobes, aquariums etc.) can also hinder expansion in either direction in the room. In case of any doubt, it is recommended that you leave bigger expansion gaps, to be later hidden with a thicker base board.



Maintenance and cleaning

- The surface of your flooring is protected for a long life and high wear resistance. The product is sold finished and does not need any work done on it. However, there are several recommendations and instructions to follow to maintain and clean it.
- The ideal conditions for avoiding problems with the boards' dimensions and static loads are: 50-70%RH and +/-70°F. Use a humidifier if needed.
- Do NOT varnish, sand, polish etc. the wood core flooring. Products with wax, soap or polish may leave behind residues.
- Never fix the flooring planks to the base floor or other construction elements (with glue, nails, fixed door stops etc)
- Protect the feet of furniture and chairs with felt or plastic pads and regularly check their condition and cleanliness.
- Use chairs with soft wheels that won't damage the flooring (Type W, in accordance with regulation DIN 68131), or failing that, use a polycarbonate mat to avoid direct contact with the floor (the wheels should be kept clean).



- The use of doormats at exterior door entrances is recommended in order to prevent dirt, dust, gravel, water etc. coming in from the street.
- Use a broom, cleaning pad, vacuum cleaner with brush for parquet flooring or a completely wrung out mop. Never use abrasive cleaning aids (wire wool, scouring pads etc.) or cleaning machines to clean the wood core flooring.
- Use non-abrasive, pH neutral detergents.
- To clean grooved products, do not use sharp or pointed, abrasive, cutting, wet etc. instruments. Use a vacuum cleaner with a brush for parquet flooring. If this is not enough, use a cloth slightly dampened in water.
- To eliminate stubborn stains on the surface (NEVER in joints or grooves), use slightly diluted acetone or alcohol for household use. Clean with water afterwards.
- Special care should be taken in areas with pets (urine can damage the wood core flooring; avoid it and clean it immediately).
- If any water is spilled, it should be dried immediately to prevent any liquid remaining on the surface.

