

MOBILE DIRECTIONAL CONTROL VALVES



Make	Model
Nimco	CV110 Series
Nimco	CV400 Series
Nimco	SVB Series
THW	Ordering Codes
THW	GM08 Series
THW	GM10 Series
Husco	5000 Series
Husco	6000 Series
THW	Manual 6 Port Selectors
Hidros	Solenoid 6 Port Selectors

MOBILE DIRECTIONAL CONTROL VALVES



CV110

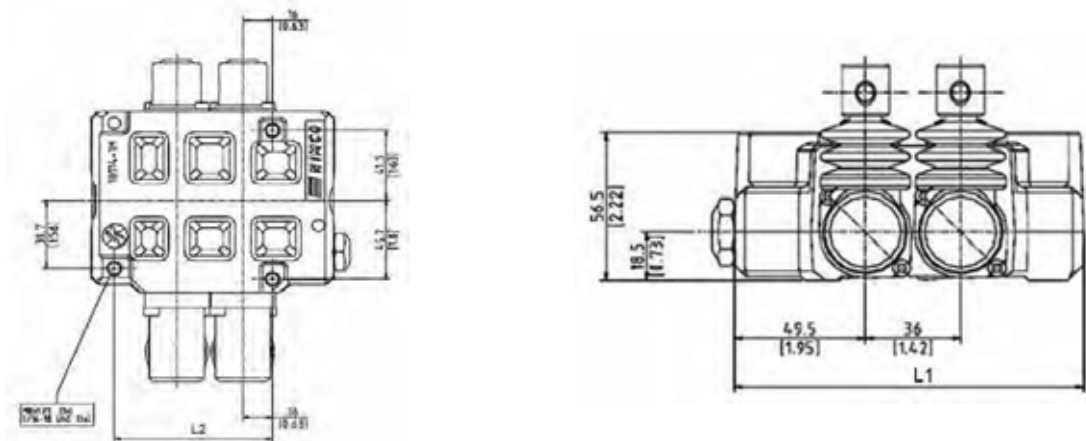
High Performance Monoblock Valves

Part Number	Spools	Max Flow (lpm)	Max Pressure (bar)	Ports				Weight (kg)	L1 (mm)	L2 (mm)
				A	B	P	T			
CV111/1S-9S5	1	50	320	3/8" BSP	3/8" BSP	3/8" BSP	1/2" BSP	3.2	96	50
CV112/1S-9S5	2	50	320	3/8" BSP	3/8" BSP	3/8" BSP	1/2" BSP	6.6	132	86
CV113/1S-9S5	3	50	320	3/8" BSP	3/8" BSP	3/8" BSP	1/2" BSP	8.3	168	122
CV114/1S-9S5	4	50	320	3/8" BSP	3/8" BSP	3/8" BSP	1/2" BSP	10	204	158
CV115/1S-9S5	5	50	320	3/8" BSP	3/8" BSP	3/8" BSP	1/2" BSP	11.7	240	194

Note: Standard options include spring centred double acting spool

Features

- Load holding checks on each section
- Exceptionally low spool leakage
- Float spool options



Part Number	Description
10347-4S	Lever Handle 175mm
10266-4S	Lever Box Assembly
11701-3S	Dual Lever Assembly
10515-4S	Cable Kit
11934-3S	3 Position Detent Kit
11935-3S	Detentin Position 2
11936-3S	Detentin Position 3
4S-1848	Pneumatic On/Off
610038	Closed Centre Plug
10534-4S	High Pressure Carry Over Plug
15081-3B	CV110 Double Acting Spool + Metering
10574-3B	CV110 Single Acting Spool - Port A
10309-3B	CV110 Double Acting Spool + Float
10308-3B	CV110 Double Acting Spool + Float and Metering
10576-3B	CV110 Motor Spool + Metering

MOBILE DIRECTIONAL CONTROL VALVES



CV400

High Performance Monoblock Valves

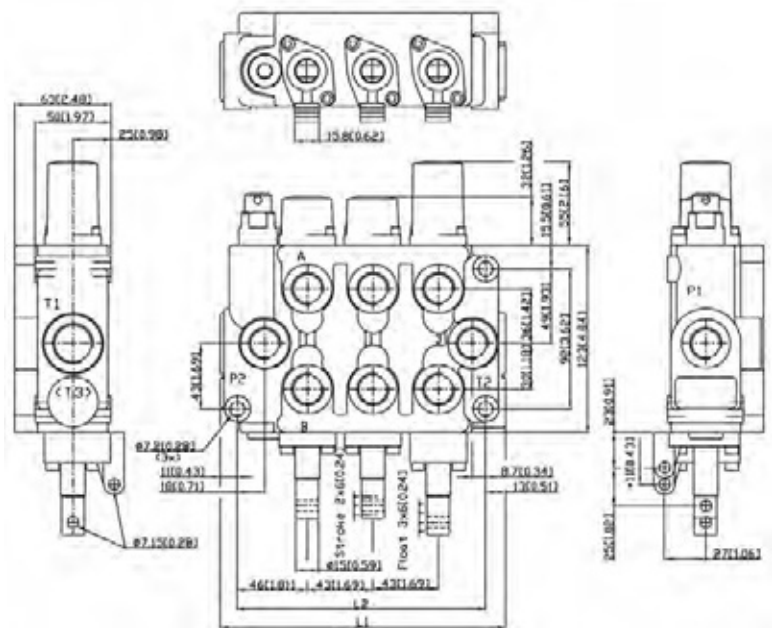


Part Number	Spools	Max Flow (lpm)	Max Pressure (bar)	Ports				Weight (kg)	L1 (mm)	L2 (mm)
				A	B	P	T			
CV401/1S-9S5	1	80	320	1/2" BSP	1/2" BSP	1/2" BSP	3/4" BSP	4.4	101	77
CV402/1S-9S5	2	80	320	1/2" BSP	1/2" BSP	1/2" BSP	3/4" BSP	6.6	144	120
CV403/1S-9S5	3	80	320	1/2" BSP	1/2" BSP	1/2" BSP	3/4" BSP	8.7	187	163
CV404/1S-9S5	4	80	320	1/2" BSP	1/2" BSP	1/2" BSP	3/4" BSP	10.9	230	206

Note: Standard options include spring centred double acting spool

Features

- Exceptionally low spool leakage
- Float spool options



Part Number	Description
10347-4S	Lever Handle
2S-40103	Lever Box Assembly
4S-5139	Cable Kit
4S-4136	3 Position Detent Kit
4S-4296	Detent in Position 2
4S-4297	Detent in Position 3
4S-4043	Pneumatic On/Off
610034-M	Closed Centre Plug
4S-4031	High Pressure Carry Over Plug
3B-4122	CV400 Single Acting Spool - Port B
3B-4061	CV400 Double Acting Spool - Float
3B-4035	CV400 Motor Spool

MOBILE DIRECTIONAL CONTROL VALVES



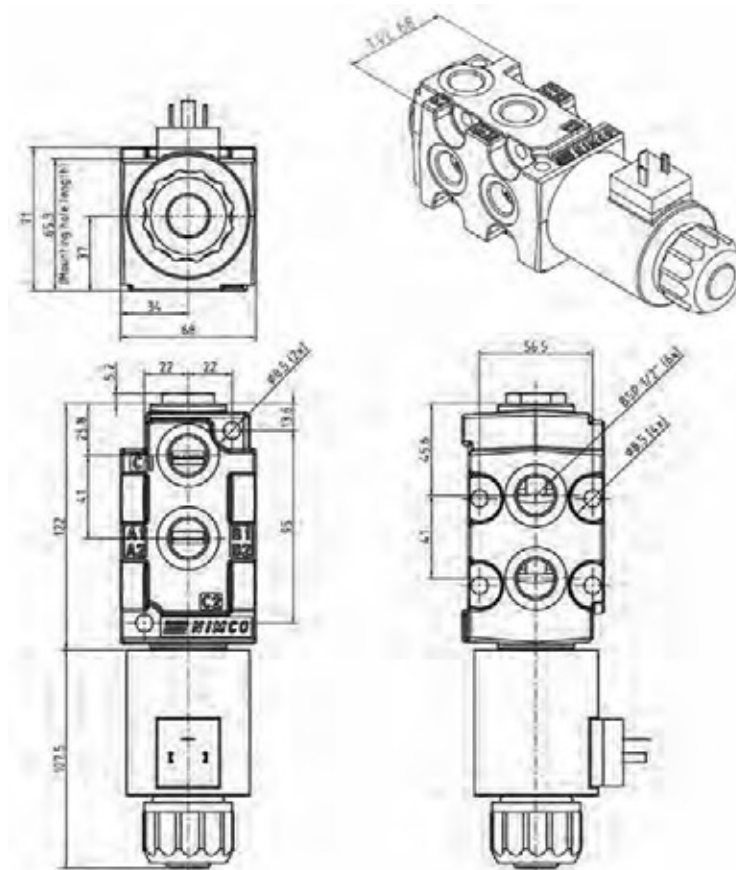
SVB

High Performance Solenoid Selector Valves

Part Number	Description	Coil Voltage	Nominal Flow (lpm)	Adjusted Range (bar)	Ports
SVB-04-1/2-12V	6 Port Selector Valve	12VDC	90	80-250	1/2" BSP
SVB-04-1/2-24V	6 Port Selector Valve	24VDC	90	80-250	1/2" BSP

Spares

Part Number	Description	Coil Voltage
4K-1503	Coil to Suit SVB Valve	12VDC
4K-1504	Coil to Suit SVB Valve	24VDC

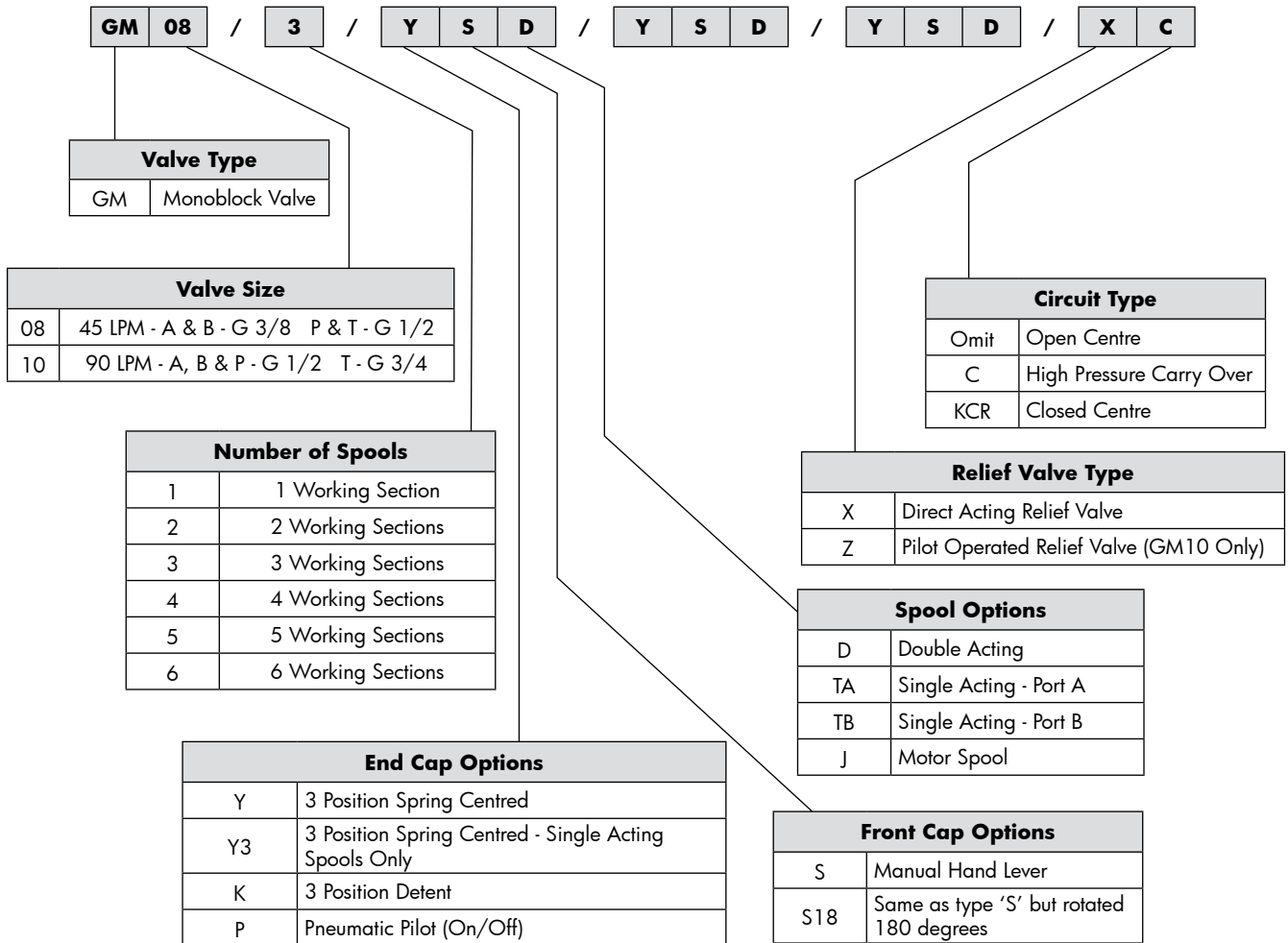


MOBILE DIRECTIONAL CONTROL VALVES

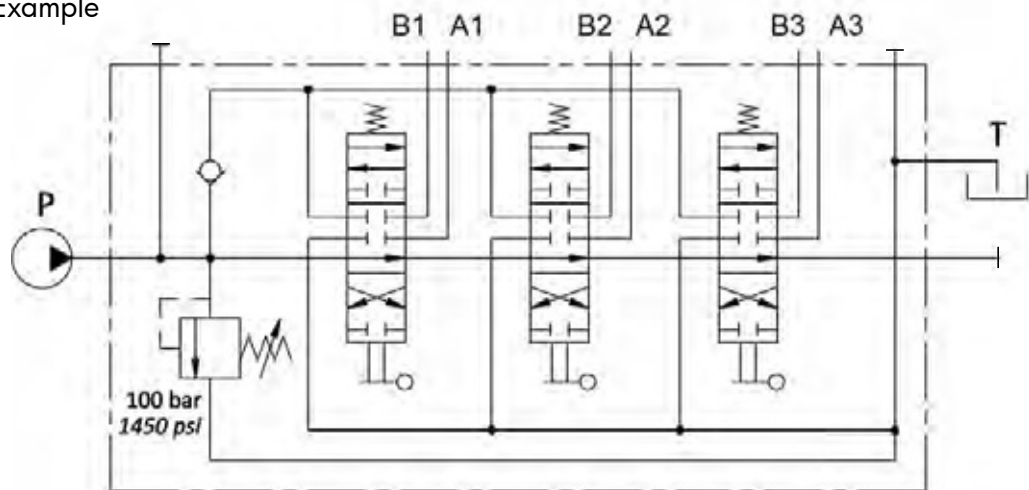


Ordering Guide - Build Code

Typical Example



Typical Circuit Example



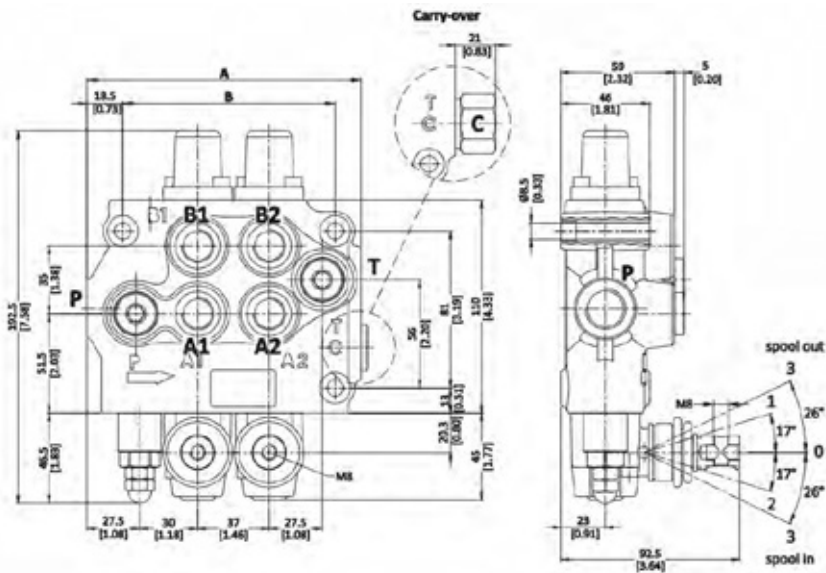
MOBILE DIRECTIONAL CONTROL VALVES



GM08

Standard Performance Monoblock Valves

Part Number	Spools	Max Flow (lpm)	Max Pressure (bar)	Ports				Weight (kg)	A (mm)	B (mm)
				A	B	P	T			
GM08/1/YSD-X	1	45	350	3/8" BSP	3/8" BSP	1/2" BSP	1/2" BSP	3.1	104	73
GM08/2/YSD-X	2	45	350	3/8" BSP	3/8" BSP	1/2" BSP	1/2" BSP	4.4	141	110
GM08/3/YSD-X	3	45	350	3/8" BSP	3/8" BSP	1/2" BSP	1/2" BSP	5.7	178	147
GM08/4/YSD-X	4	45	350	3/8" BSP	3/8" BSP	1/2" BSP	1/2" BSP	7.2	215	184
GM08/5/YSD-X	5	45	350	3/8" BSP	3/8" BSP	1/2" BSP	1/2" BSP	8.7	252	221
GM08/6/YSD-X	6	45	350	3/8" BSP	3/8" BSP	1/2" BSP	1/2" BSP	10.2	289	258



Part Number	Description
UBM 058	Double Acting Spool
UBM 058/J	Motor Spool
UBM 058/TA*	Single Acting Spool - Port A
UBM 058/TB*	Single Acting Spool - Port B
K08/K	3 Position Detent Kit
K08/YK1	Detent Position 1
K08/YK2	Detent Position 2
PNOKONT-08	Pneumatic On/Off Kit
KE08K01	Direct Acting Relief Valve
KK07X195	Lever Handle Only
YBM I0071	Lever Box Only
YBM I0073	End Cap
SM6X6MM KIT	Spring Centring Kit - Single Acting Spool
KCR08/10	High Pressure Carry Over Plug
KCR08/00	Closed Centre Plug

*Note: You need to order a SM6x6MM kit for every UBM 058/TA or UBM 058/TB spool you order.

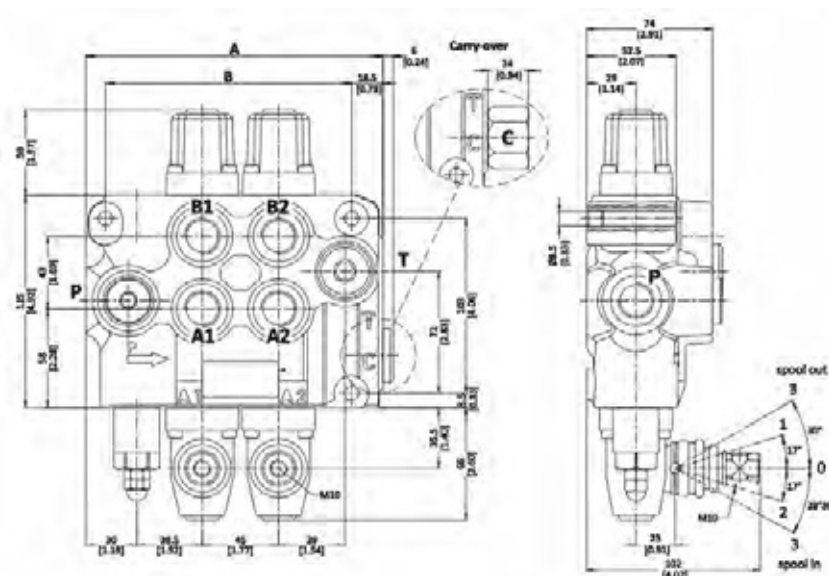
MOBILE DIRECTIONAL CONTROL VALVES



GM10

Standard Performance Monoblock Valves

Part Number	Spools	Max Flow (lpm)	Max Pressure (bar)	Ports				Weight (kg)	A (mm)	B (mm)
				A	B	P	T			
GM10/1/YSD-X	1	90	350	1/2" BSP	1/2" BSP	1/2" BSP	3/4" BSP	5.8	130	100
GM10/2/YSD-X	2	90	350	1/2" BSP	1/2" BSP	1/2" BSP	3/4" BSP	8.3	175	145
GM10/3/YSD-X	3	90	350	1/2" BSP	1/2" BSP	1/2" BSP	3/4" BSP	10.9	220	190
GM10/4/YSD-X	4	90	350	1/2" BSP	1/2" BSP	1/2" BSP	3/4" BSP	13.4	265	235
GM10/5/YSD-X	5	90	350	1/2" BSP	1/2" BSP	1/2" BSP	3/4" BSP	16.5	310	280
GM10/6/YSD-X	6	90	350	1/2" BSP	1/2" BSP	1/2" BSP	3/4" BSP	19.2	355	325



Part Number	Description
UBM 059	Double Acting Spool
UBM 059/J	Motor Spool
UBM 059/TA*	Single Acting Spool - Port A
UBM 059/TB*	Single Acting Spool - Port B
K10/K	3 Position Detent Kit
K10/YK1	Detent Position 1
K10/YK2	Detent Position 2
PNOKONT-10	Pneumatic On/Off Kit
KE10K01	Direct Acting Relief Valve
KE10K02	Pilot-Operated Relief Valve
KK07X195	Lever Handle Only
YBM I0070	Lever Box Only
YBM I0072	End Cap
SM8X7MM KIT	Spring Centring Kit - Single Acting Spool
KCR16/10	High Pressure Carry Over Plug
KCR16/00	Closed Centre Plug
SK-GM08/1	Seal Kit

*Note: You need to order a SM8x7MM kit for every UBM 059/TA or UBM 059/TB spool you order.

MOBILE DIRECTIONAL CONTROL VALVES



5000 Series - 75 lpm Valve

Inlet Sections

Part Number	Side Inlet	Top Inlet	Side Outlet	Top Outlet	Aux Port (refer to table Auxiliary Options)
5001-A35	SAE 10	-	-	-	No
5001-A59	-	SAE 10	-	SAE 10	Yes
5001-A88	SAE 12	SAE 10	SAE 12	SAE 10	Yes

Note: Inlet sections are not supplied with relief valve.

Working Sections

Description	Type	Part Number No Auxiliary Ports	Part Number With 2 x Auxiliary Ports	Part Number End Mechanism (refer to End Mechanism Options table)	Relation
Cylinder Spool	Parrallel	5002-A1	5002-A269	B10-100	A
Float Spool	Parrallel	5002-A10	5002-A522	B10-100	A

Note: End Mechanism included on working section. Handles are not included.

Outlet Section / Turnaround

Part Number	Side Outlet	Side HPCO	Top Outlet	Top HPCO	Description	Aux Port (refer to table Auxiliary Options)
5003-A1	-	-	-	-	Open Centre	No
5003-A3	SAE 12	-	-	-	Open Centre	No
5003-E5	-	SAE 12	-	-	Closed Centre	No
5003-A67	-	-	SAE 10	-	Universal	Yes
5003-A68	SAE 12	SAE 12	SAE 10	SAE 10	Universal	Yes

Note: Universal outlet sections can be open centre, closed centre or HPCO (High Pressure Carry Over) (power beyond).

Lever Assembly

Description	Handle S/A	Boot Seal
Vertical	52250-1	51662
Horizontal	52250-12	52348
45 degree	52250-14	51662

Tie Rod Kit

Number of Working Sections	Part Number
1	6131-1
2	6131-2
3	6131-3
4	6131-4
5	6131-5
6	6131-6
7	6131-7
8	6131-8
9	6131-9

End Mechanism Options

Description	Part Number	Relation
Spring Centring Kit	B10-100	A
Detent Kit	B11-100	A
Float Spool Kit	B11-105	B
Hydraulic Pilot	B12-108	A

Seal Kit (1 per section)

Description	Part Number
Seal Kit	SK5000

Auxiliary Options

Description	Part Number	Pressure Range
Pilot Operated Relief Valve	5060-P	1500 - 3500 PSI
Direct Acting Relief Valve	52710-J	1500 - 3500 PSI
Auxiliary Plug	52610	-

MOBILE DIRECTIONAL CONTROL VALVES



6000 Series - 132 lpm Valve

Inlet Sections

Part Number	Side Inlet	Top Inlet	Side Outlet	Top Outlet	Aux Port (refer to table Auxiliary Options)
6001-D100	-	SAE 12	-	SAE 16	Yes
6001-D102	SAE 16	SAE 12	SAE 16	SAE 16	Yes

Note: Inlet sections are not supplied with relief valve.

Working Sections

Description	Type	Part Number Without Auxiliary Ports	Part Number With 2 x Auxiliary Ports	Part Number End Mechanism (refer to End Mechanism Options table)	Relation
Cylinder Spool	Parallel	6002-J433	6002-J387	D10-200	A
Float Spool	Parallel	6002-J154	6002-J394	D10-200	A

Note: End Mechanism included on working section. Handles are not included.

Outlet Section / Turnaround

Part Number	Side Outlet	Side HPCO	Top Outlet	Top HPCO	Description	Aux Port (refer to table Auxiliary Options)
6003-E2	SAE 16	-	-	-	Open Centre	No
6003-K3	-	SAE 16	-	-	Closed Centre	No

Note: Universal outlet sections can be open centre, closed centre or HPCO (High Pressure Carry Over) (power beyond).

Lever Assembly

Part Number
6105-A

Tie Rod Kit

Number of Working Sections	Part Number
1	6246-41
2	6246-42
3	6246-43

Note: More Tie Rod Kits available on request.
(up to 9 working sections)

End Mechanism Options

Description	Part Number	Relation
Spring Centring Kit	D10-200	A
Detent Kit	D11-100	A

Seal Kit (1 per section)

Description	Part Number
Seal Kit	SK6000

Auxiliary Options

Description	Part Number	Pressure Range
Pilot Operated Relief Valve	51055-2	700 - 6000 PSI
Auxiliary Plug	52810	-

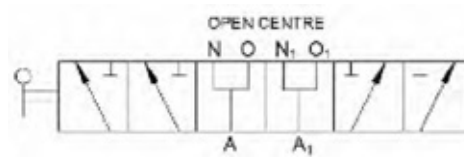
MOBILE DIRECTIONAL CONTROL VALVES



D6 1/2

6 Port Manual Selector Valve

Ports	Max Flow	Max Pressure	B (mm)	C (mm)	D (mm)	E (mm)	F (mm)	G (mm)	H (mm)	L (mm)	M (mm)	Weight (kg)	Type
1/2" BSP	90LPM	350 Bar	80	32	8.5	36	86	24	124	115	161	2.3	Open Centre



MOBILE DIRECTIONAL CONTROL VALVES



Hidros Solenoid Selector Valves

DVS6 Series - 50 lpm

Part Number	Description	Coil Voltage	Nominal (lpm)	Max Pressure (bar)	Ports	
DVS6-L-12DC-G38-02	6 Port Selector Valve	12VDC	50	315	3/8" BSP	
DVS6-L-24DC-G38-02	6 Port Selector Valve	24VDC	50	315	3/8" BSP	

Spares

Part Number	Description	Coil Voltage	
DVS.COIL/12VDC	Coil to suit DVS6 Valve	12VDC	
DVS.COIL/24VDC	Coil to suit DVS6 Valve	24VDC	

SVV Series - 90 lpm

Part Number	Description	Coil Voltage	Nominal (lpm)	Max Pressure (bar)	Ports	
SVV-90-G-12V	6 Port Selector Valve	12VDC	90	280	1/2" BSP	
SVV-90-G-24V	6 Port Selector Valve	24VDC	90	280	1/2" BSP	

Spares

Part Number	Description	Coil Voltage	
SVV90.COIL/12VDC	Coil to Suit SVV90 Valve	12VDC	
SVV90.COIL/24VDC	Coil to Suit SVV90 Valve	24VDC	