

# OMT BELL HOUSINGS & COUPLINGS



Make	Model
OMT	Electric Motor to DIN Mount Pumps
OMT	Electric Motor to SAE Mount Pumps

# OMT BELL HOUSINGS & COUPLINGS



## Electric Motor to Group 1 DIN Mount Pumps

Aluminium Construction



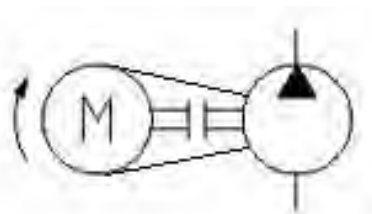
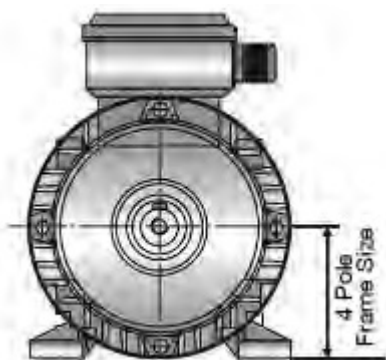
Electric Motor (hp/kW)	4 Pole Frame (mm)	Bell Housing	Electric Motor Shaft Size (mm)	Motor Half Coupling		Pump Shaft	Pump Half Coupling		Spider
		Part Number		Part Number	List Price		Part Number	Part Number	
1 / 0.75	80	LBH12BA	19	LC48M12	\$15.00	1:8 Taper	LC48TB	LC48S	
2 / 1.5	90	LBH12BA	24	LC65M13	\$18.00	1:8 Taper	LC65TB	LC65S	
5.5 / 4.0	100	LBH14BA	28	LC65M14	\$22.00	1:8 Taper	LC65TB	LC65S	
5.5 / 4.0	112	LBH14BA	28	LC65M14	\$22.00	1:8 Taper	LC65TB	LC65S	

## Electric Motor to Group 2 DIN Mount Pumps

Aluminium Construction



Electric Motor (hp/kW)	4 Pole Frame (mm)	Bell Housing	Electric Motor Shaft Size (mm)	Motor Half Coupling		Pump Shaft	Pump Half Coupling		Spider
		Part Number		Part Number	List Price		Part Number	Part Number	
1 / 0.75	80	LBH12CA	19	LC65M12		1:8 Taper	LC65TC	LC65S	
2 / 1.5	90	LBH12CA	24	LC65M13		1:8 Taper	LC65TC	LC65S	
5.5 / 4.0	100	LBH14CA	28	LC86M14		1:8 Taper	LC86TC	LC86S	
5.5 / 4.0	112	LBH14CA	28	LC86M14		1:8 Taper	LC86TC	LC86S	
13.4 / 10.0	132	LBH16CA	38	LC86M16		1:8 Taper	LC86TC	LC86S	
20.0 / 15.0	160	LBH17CA	42	LC108M17		1:8 Taper	LC108TC	LC108S	
30.0 / 22.0	180	LBH17CA	48	LC108M18		1:8 Taper	LC108TC	LC108S	



# OMT BELL HOUSINGS & COUPLINGS



## Electric Motor to SAE-A 2 Bolt Mount Pump

Aluminium Construction



Electric Motor (hp/kW)	4 Pole Frame (mm)	Bell Housing	Electric Motor Shaft Size (mm)	Motor Half Coupling	Pump Shaft	Pump Half Coupling	Spider
		Part Number		Part Number		Part Number	
1 / 0.75	80	LBS12A2	19	LC65M12	3/4"	LC65P06	LC65S
2 / 1.5	90	LBS12A2	24	LC65M13	3/4"	LC65P06	LC65S
5.5 / 4.0	100	LBS14A2	28	LC86M14	3/4"	LC86P06	LC86S
5.5 / 4.0	112	LBS14A2	28	LC86M14	3/4"	LC86P06	LC86S
13.4 / 10.0	132	LBS16A2	38	LC86M16	3/4"	LC86P06	LC86S
20.0 / 15.0	160	LBS17A2	42	LC108M17	3/4"	LC108P06	LC108S
30.0 / 22.0	180	LBS17A2	48	LC108M18	3/4"	LC108P06	LC108S

## Electric Motor to SAE-B 2 Bolt Mount Pump

Aluminium Construction



Electric Motor (hp/kW)	4 Pole Frame (mm)	Bell Housing	Electric Motor Shaft Size (mm)	Motor Half Coupling	Pump Shaft	Pump Half Coupling	Spider
		Part Number		Part Number List		Part Number	
1 / 0.75	80	LBS12B2	19	LC65M12	7/8"	LC65P07	LC65S
2 / 1.5	90	LBS12B2	24	LC65M13	7/8"	LC65P07	LC65S
5.5 / 4.0	100	LBS14B2	28	LC86M14	7/8"	LC86P07	LC86S
5.5 / 4.0	112	LBS14B2	28	LC86M14	7/8"	LC86P07	LC86S
13.4 / 10.0	132	LBS16B2	38	LC86M16	7/8"	LC86P07	LC86S
20.0 / 15.0	160	LBS17B2	42	LC108M17	7/8"	LC108P07	LC108S
30.0 / 22.0	180	LBS17B2	48	LC108M18	7/8"	LC108P07	LC108S

