

ACCESSORIES



Make	Model
MP Filtri	Level Gauges
Elesa	Sight Glasses
OMT	Filler Breathers
Elesa	Filler Breathers
MP Filtri	Filler Breathers
OMT	Gauge Isolation Valves
THW	Pressure Gauges
Tognella	Gauge Adaptors
THW	DNB Series Pressure Switches

ACCESSORIES



Level Gauges

Fluid Level Gauges

Part Number	Description	Dimensions			
		A (mm)	B	C (mm)	H (mm)
LG3	76mm bolt centres	76	M10	10.5	114
LG5	127mm bolt centres	127	M12	12.5	165
LG10	254mm bolt centres	254	M12	12.5	292

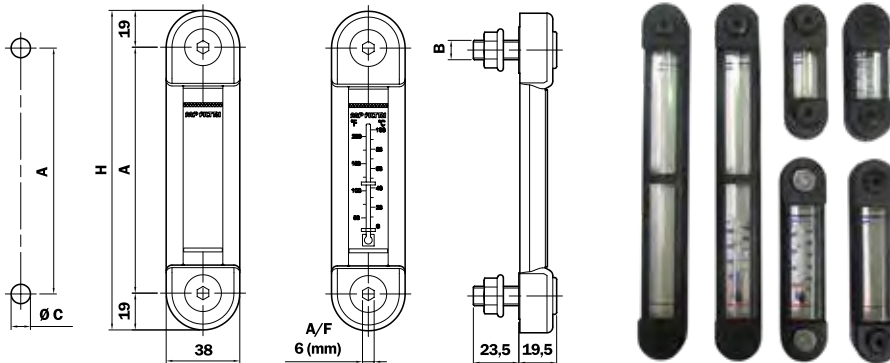
Screw tightening torque: 15Nm

Fluid Level Gauges with Thermometers

Part Number	Description	Dimensions			
		A (mm)	B	C (mm)	H (mm)
LG3T	76mm bolt centres	76	M10	10.5	114
LG5T	127mm bolt centres	127	M12	12.5	165
LG10T	254mm bolt centres	254	M12	12.5	292

Screw tightening torque: 15Nm

Reservoir holes

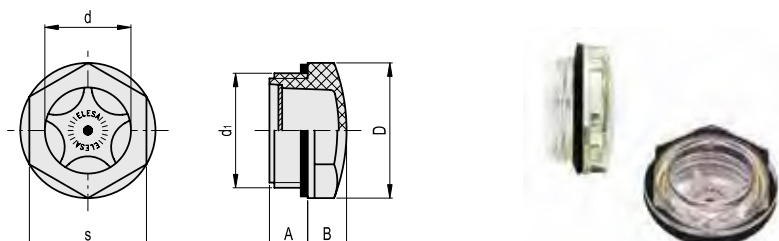


Sight Glasses

SG Series

Part Number	d1 (Thread)	A (mm)	B (mm)	D (mm)	d (mm)	s (mm)	Tightening torque (Nm)
SG04	G1/4"	10	6	18	9	15	2-3
SG06	G3/8"	7.5	7	22	11	19	3-5
SG08	G1/2"	10.5	8	26	14	22	4-6
SG12	G3/4"	10.5	9	31.5	20	27	6-8
SG16	G1"	11	10	40	25	34	8-10
SG20	G1-1/4"	11.5	13	47.5	30	40.5	8-10

*Note: Maximum continuous working temperature of 100°C.



ACCESSORIES



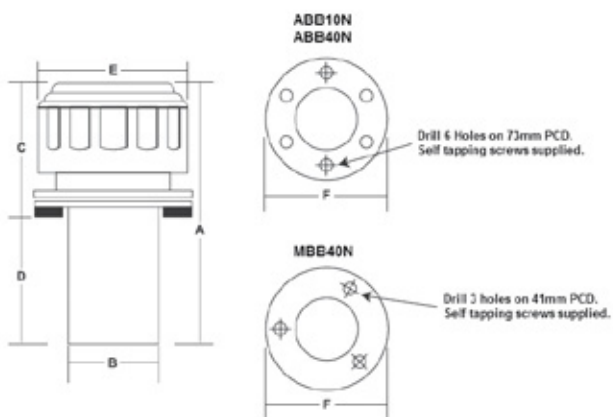
Filler Breathers

Bayonet Style

ABB and MBB Series (Chrome Plated Steel Cap)

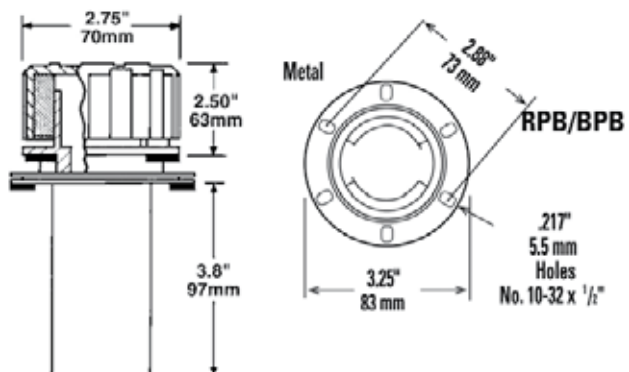
Part Number	Micron Rating	Airflow (m ³ /min)	PCD	Dimensions					
				A (mm)	B (mm)	C (mm)	D (mm)	E (mm)	F (mm)
ABB10N	10	0.42	6 holes on 73mm	150	50	55	95	80	83
MBB10N	10	0.25	3 holes on 41mm	150	50	55	95	80	83
MBB40N	40	0.25	3 holes on 41mm	110	28	45	65	47	52

DIMENSIONS:



BPB Series with Anti-splash (Plastic – High Impact Techno Polymer)

Part Number	Micron Rating	Airflow (m ³ /min)	PCD
BPB10NA	10	0.5	6 holes on 73mm PCD



ACCESSORIES

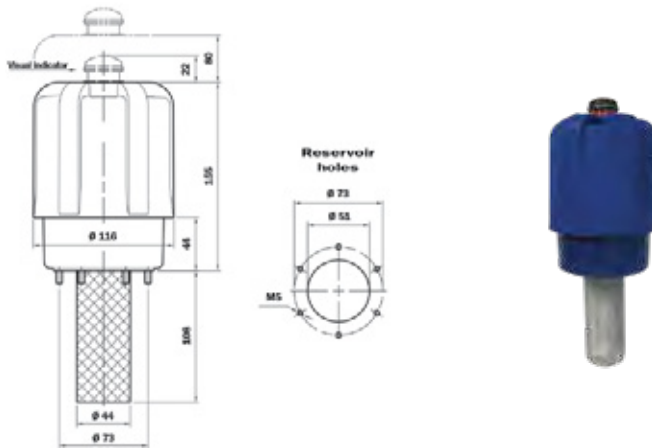


Filler Breathers (continued)

Bayonet Style

TAP Series (Replaceable Element Type, Visual Indicator)

Part Number	Micron Rating	Airflow (m ³ /min)	PCD
TAP1152FA03A1B	3	2.15	6 holes on 73mm PCD
A1152A03	3	3	-



ACCESSORIES

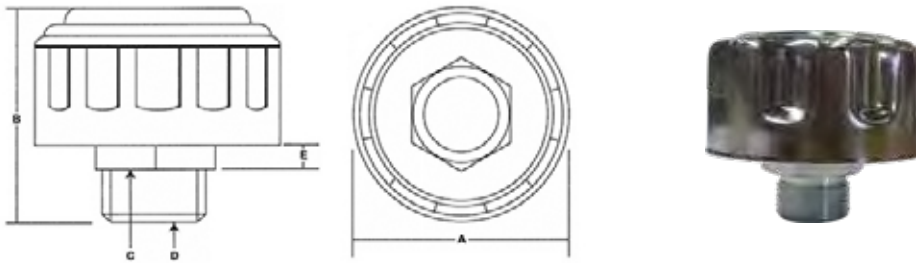


Filler Breathers (continued)

Screw In Style

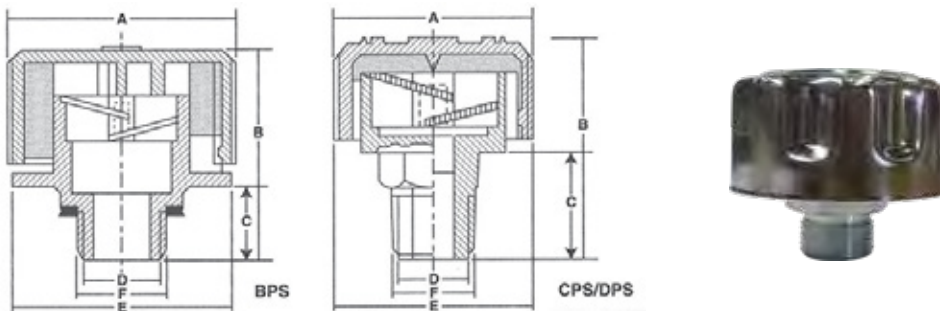
ABS and MBS Series (Chrome Plated Steel Cap)

Part Number	Micron Rating	Airflow (m ³ /min)	Cap Diameter (mm)	Dimensions				
				A (mm)	B (mm)	C (mm)	D (Thread)	E (mm)
ABS10B	10	0.42	75	75	46	35	G3/4"	12
MBS40B	40	0.26	46	47	52	19	G1/4"	5



BPS, CPS, DPS Series

Part Number	Micron Rating	Airflow (m ³ /min)	Cap Diameter (mm)	Dimensions					
				A (mm)	B (mm)	C (mm)	D (mm)	E (mm)	F (Thread)
BPS40B12A	40	0.95	70	70	63	21	16	68	G3/4"
CPS40B12A	40	0.4	57	57	48	13	16	39	G3/4"
DPS40B04A	40	0.12	42	42	37	18	8	30	G1/4"
DPS40B06A	40	0.2	42	42	37	18	10	30	G3/8"



ACCESSORIES

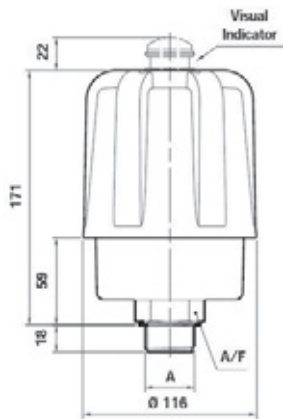


Filler Breathers (continued)

Screw In Style

SAP 115 Series (replaceable Element Type, Visual Indicator)

Part Number	Micron Rating	Airflow (m ³ /min)	Thread	Cap Diameter (mm)
SAP1152CA03A1B	3	3	G1-1/2"	116
A1152A03	3	3	-	-



Connection	A	A/F (mm)
A	G 1 1/2"	55

ACCESSORIES

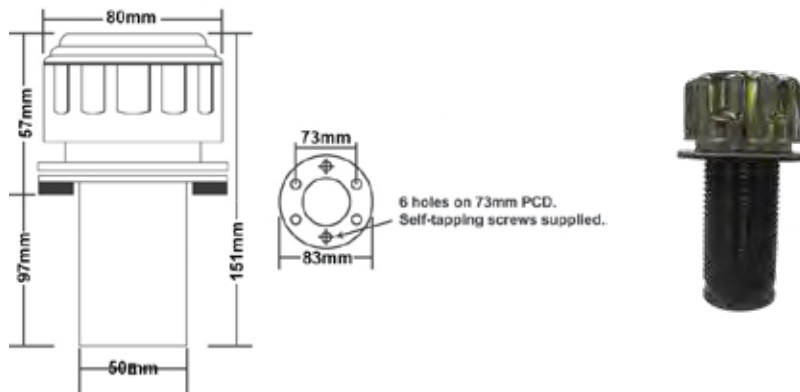


Pressure Filler Breather Caps

Bayonet Style

PBB Series (Chrome Plated Steel Cap)

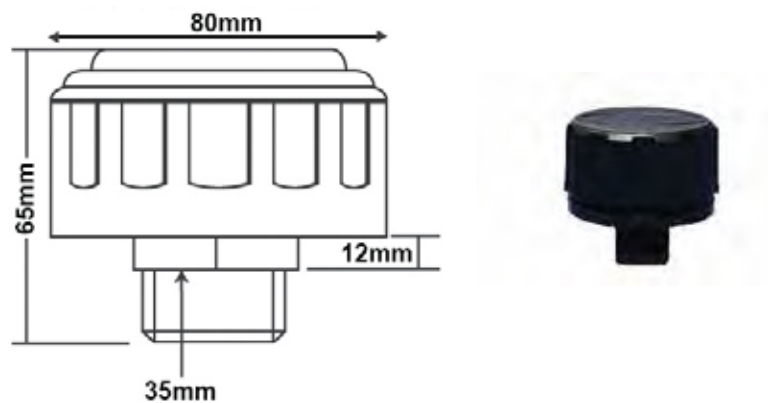
Part Number	Micron Rating	Airflow (m ³ /min)	PCD	Relief Valve Setting (psi)
PBB-10-10N	10	0.42	6 holes on 73mm PCD	10
PBB10-5N	10	0.42	6 holes on 73mm PCD	5



Screw In Style

PBS Series (Chrome Plated Steel Cap)

Part Number	Micron Rating	Airflow (m ³ /min)	Thread	Relief Valve Setting (psi)
PBS10B10	10	0.7	G3/4"	10



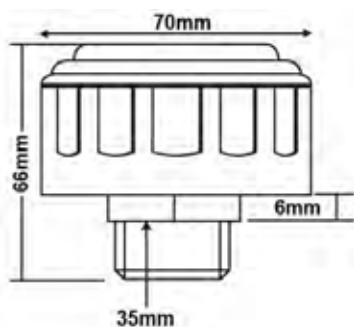
ACCESSORIES



Screw In Style

RPS Series (Plastic - High Impact Techno Polymer)

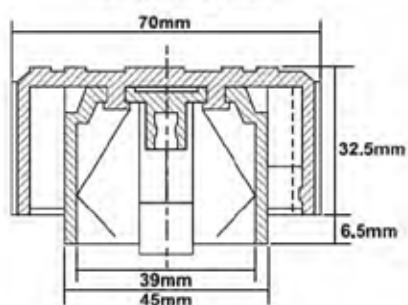
Part Number	Micron Rating	Airflow (m ³ /min)	Thread	Relief Valve Setting (psi)
RPS10B5	10	0.7	G3/4"	5



Push on Breathers

Plastic - High Impact Techno Polymer

Part Number	Micron Rating	Max. Temperature	Overall Diameter	Suits Tube Diameter
AB040	40	120°C	70mm	1-1/2"




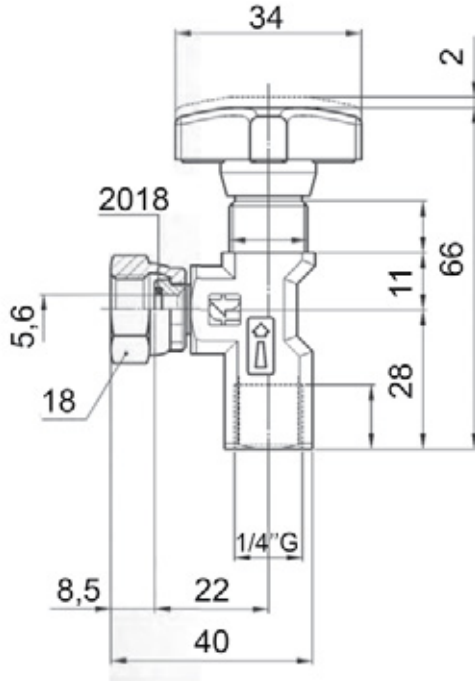
ACCESSORIES




Gauge Isolation Valves

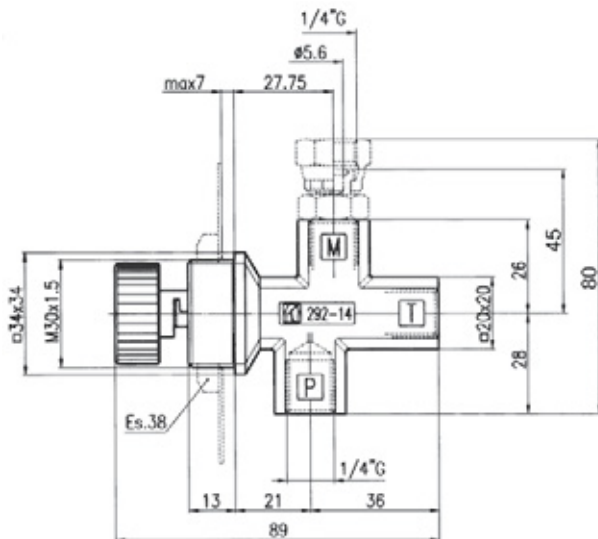
90° angle

Schematic	Part Number	Thread	Max Pressure (bar)
	FT291-14	G1/4"	400



Push Button

Schematic	Part Number	Thread	Max Pressure (bar)
	FT292-14	G1/4"	400



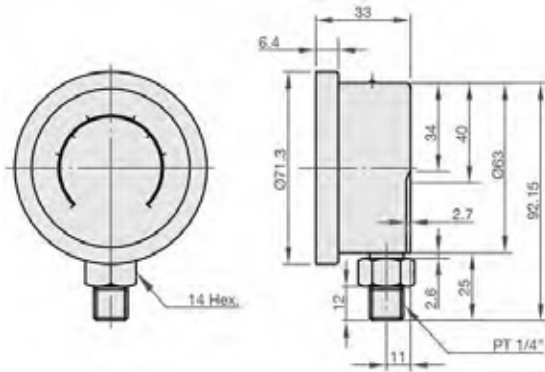
ACCESSORIES

Pressure Gauges

Bottom Mounted

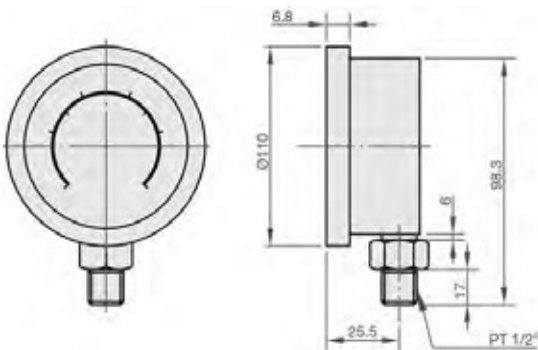
63mm Face Diameter

Part Number	Description	Thread	Face Dia. (mm)	Pressure Range (bar)
PG-B-63-60	Gauge BTM 63mm 0-60bar	1/4" BSP	63	0 - 60
PG-B-63-160	Gauge BTM 63mm 0-160bar	1/4" BSP	63	0 - 160
PG-B-63-250	Gauge BTM 63mm 0-250bar	1/4" BSP	63	0 - 250
PG-B-63-400	Gauge BTM 63mm 0-400bar	1/4" BSP	63	0 - 400



100mm Face Diameter

Part Number	Description	Thread	Face Dia. (mm)	Pressure Range (bar)
PG-B-100-60	Gauge BTM 100mm 0-60bar	1/2" BSP	100	0 - 60
PG-B-100-160	Gauge BTM 100mm 0-160bar	1/2" BSP	100	0 - 160
PG-B-100-250	Gauge BTM 100mm 0-250bar	1/2" BSP	100	0 - 250
PG-B-100-400	Gauge BTM 100mm 0-400bar	1/2" BSP	100	0 - 400



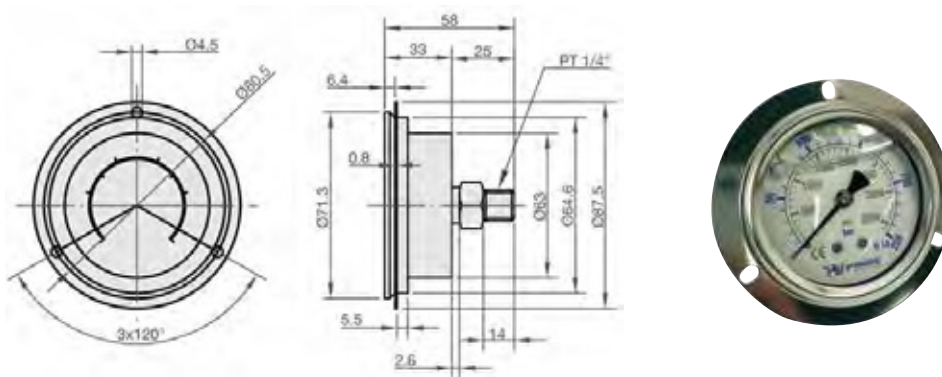
ACCESSORIES

Pressure Gauges

Rear Mounted

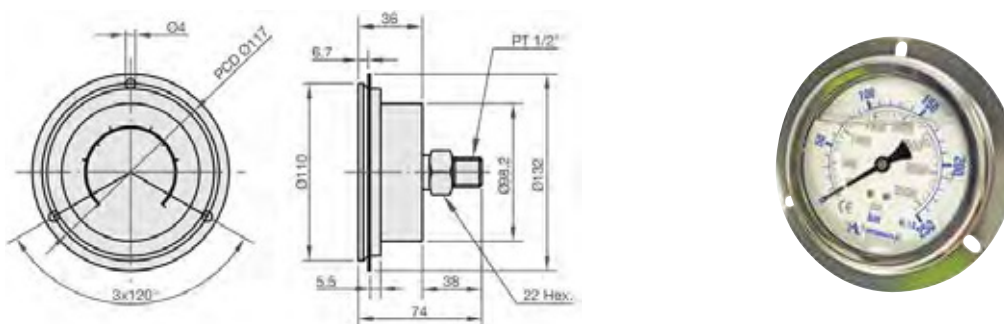
63mm Face Diameter

Part Number	Description	Thread	Face Dia. (mm)	Pressure Range (bar)
PG-R-63-60	Gauge Rear 63mm 0-60bar	1/4" BSP	63	0 - 60
PG-R-63-160	Gauge Rear 63mm 0-160bar	1/4" BSP	63	0 - 160
PG-R-63-250	Gauge Rear 63mm 0-250bar	1/4" BSP	63	0 - 250
PG-R-63-400	Gauge Rear 63mm 0-400bar	1/4" BSP	63	0 - 400



100mm Face Diameter

Part Number	Description	Thread	Face Dia. (mm)	Pressure Range (bar)
PG-R-100-60	Gauge Rear 100mm 0-60bar	1/2" BSP	100	0 - 60
PG-R-100-160	Gauge Rear 100mm 0-160bar	1/2" BSP	100	0 - 160
PG-R-100-250	Gauge Rear 100mm 0-250bar	1/2" BSP	100	0 - 250
PG-R-100-400	Gauge Rear 100mm 0-400bar	1/2" BSP	100	0 - 400

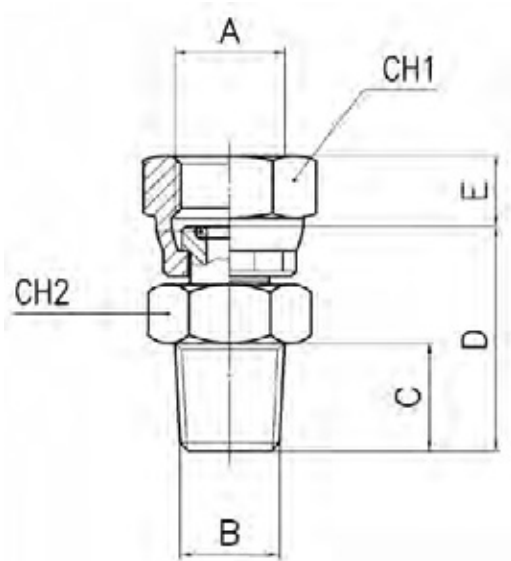


ACCESSORIES



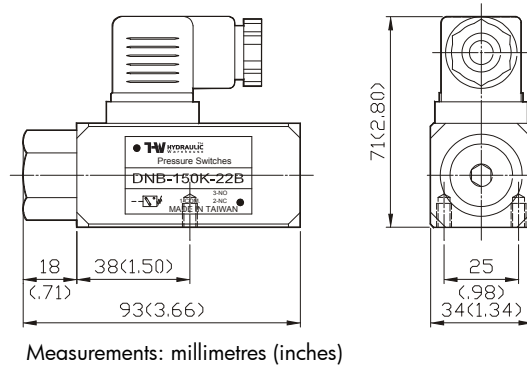
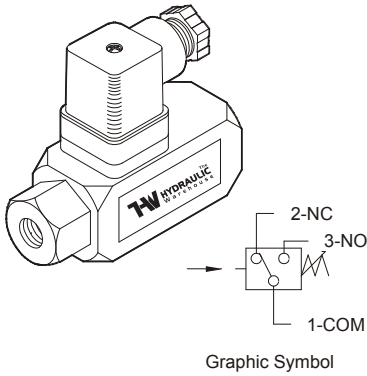
Gauge Adaptors

Part Number	Description	Dimensions						
		A	B	C (mm)	D (mm)	E (mm)	CH1 (mm)	CH2 (mm)
FT299-44	Male x Female Gauge Adaptor	1/4" BSP	1/4" BSP	13	27	7.5	18	17
FT299-42	Male x Female Gauge Adaptor	1/4" BSP	1/2" BSP	16	31	9.5	18	22
FT299-24	Male x Female Gauge Adaptor	1/2" BSP	1/4" BSP	13	31	9.5	27	22
FT299-22	Male x Female Gauge Adaptor	1/2" BSP	1/2" BSP	16	34	11	27	22

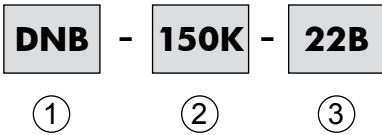


ACCESSORIES

DNB Series Pressure Switches Dimensions



Ordering Code



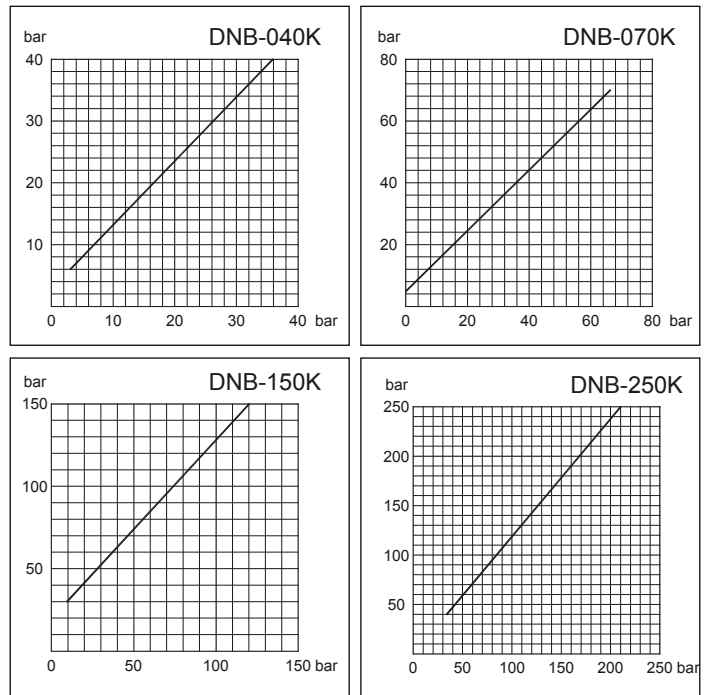
① Series
DNB

② Pressure Adj. Range

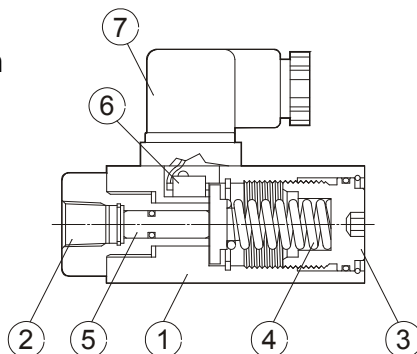
Model	Pres Adj. Range (bar)	Surge Pres. (bar)	Weight (kg)
DNB-040K-22B	6~ 40	150	0.6
DNB-070K-22B	5~70	200	0.6
DNB-150K-22B	30~ 150	300	0.6
DNB-250K-22B	40~ 250	300	0.6

③ Thread
22B: 1/4" BSP

Hysteresis Diagram



Schematic Cross-Section



No.	Side Inlet
1	Body (Casting-Iron)
2	Connection Port 1/4" BSP
3	Pressure Adj. Knob
4	Spring
5	Servo-Piston
6	Micro-Switch
7	Electrical Connector

TEST POINT COUPLINGS AND ADAPTORS, TEST POINT HOSES, GAUGES

R1620

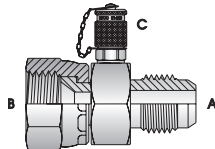
TEST POINT COUPLINGS
M16 X 2,0 CONNECTION



- R1620-BP02 -02 BSPP MALE ENCAPS. SEAL
 - R1620-BP04 -04 BSPP MALE ENCAPS. SEAL
 - R1620-BP06 -06 BSPP MALE ENCAPS. SEAL
 - R1620-BT02 -02 BSPT MALE
 - R1620-BT04 -04 BSPT MALE
 - R1620-MM14 M14 X 1,5 MALE METAL SEAL
 - R1620-MP12 M12 X 1,5 MALE ENCAPS. SEAL
 - R1620-MR08 M8 X 1 O RING MALE
 - R1620-MR10 M10 X 1 O RING MALE
 - R1620-NT02 -02 NPT MALE
 - R1620-NT04 -04 NPT MALE
 - R1620-UN07 -07 UN O RING MALE
 - R1620-UN08 -08 UN O RING MALE
 - R1620-UN09 -09 UN O RING MALE
- INLINE TEST POINT ADAPTORS

S159

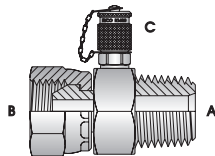
JIC MALE
JIC FEMALE SWIVEL
M16 X 2,0 TEST POINT



- S159-070716
- S159-090916
- S159-121216
- S159-141416
- S159-171716
- S159-212116
- S159-262616

S160

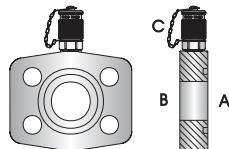
BSPT MALE
BSPP FEMALE SWIVEL
M16 X 2,0 TEST POINT



- S160-040416
- S160-060616
- S160-080816
- S160-121216
- S160-161616
- S160-202016

S961

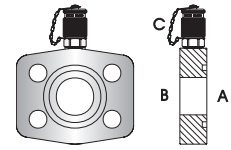
CODE 61 FLANGE
M16 X 2,0 TEST POINT



- S961-161616
- S961-202016
- S961-242416
- S961-323216

S962

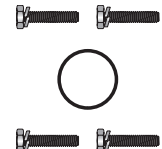
CODE 62 FLANGE
M16 X 2,0 TEST POINT



- S962-121216
- S962-161616
- S962-202016
- S962-242416
- S962-323216

FK61L & FK62L

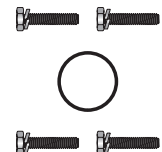
FASTENING KIT
FOR SAE INLINE
TEST POINTS
UNC BOLTS



- FK61L-16
- FK61L-20
- FK61L-24
- FK61L-32
- FK62L-12
- FK62L-16
- FK62L-20
- FK62L-24
- FK62L-32

FK61LM & FK62LM

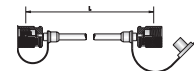
FASTENING KIT
FOR SAE INLINE
TEST POINTS
METRIC BOLTS



- FK61LM-16
- FK61LM-20
- FK61LM-24
- FK61LM-32
- FK62LM-12
- FK62LM-16
- FK62LM-20
- FK62LM-24
- FK62LM-32

R1621 TEST HOSE ASSEMBLIES

M16 X 2,0 FEMALE SWIVELS WITH PLASTIC
PLUGS BOTH ENDS, RT7-M02 HOSE



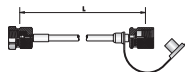
- R1621-200 200 MM HOSE ASSEMBLY
- R1621-400 400 MM HOSE ASSEMBLY
- R1621-600 600 MM HOSE ASSEMBLY
- R1621-800 800 MM HOSE ASSEMBLY
- R1621-1000 1000 MM HOSE ASSEMBLY
- R1621-1200 1200 MM HOSE ASSEMBLY
- R1621-1500 1500 MM HOSE ASSEMBLY
- R1621-2000 2000 MM HOSE ASSEMBLY
- R1621-2500 2500 MM HOSE ASSEMBLY
- R1621-3000 3000 MM HOSE ASSEMBLY
- R1621-4000 4000 MM HOSE ASSEMBLY
- R1621-5000 5000 MM HOSE ASSEMBLY
- R1621-6000 6000 MM HOSE ASSEMBLY

ACCESSORIES

TEST POINT

R1622 TEST HOSE ASSEMBLIES

M16 X 2,0 FEMALE SWIVEL WITH PLASTIC PLUG ONE END, -04 BSPP FEMALE GAUGE SWIVEL OTHER END, RT7-M02 HOSE



R1622-200.....	200 MM HOSE ASSEMBLY
R1622-400.....	400 MM HOSE ASSEMBLY
R1622-600.....	600 MM HOSE ASSEMBLY
R1622-800.....	800 MM HOSE ASSEMBLY
R1622-1000.....	1000 MM HOSE ASSEMBLY
R1622-1200.....	1200 MM HOSE ASSEMBLY
R1622-1500.....	1500 MM HOSE ASSEMBLY
R1622-2000.....	2000 MM HOSE ASSEMBLY
R1622-2500.....	2500 MM HOSE ASSEMBLY
R1622-3000.....	3000 MM HOSE ASSEMBLY
R1622-4000.....	4000 MM HOSE ASSEMBLY
R1622-5000.....	5000 MM HOSE ASSEMBLY
R1622-6000.....	6000 MM HOSE ASSEMBLY

ORDERING TEST HOSE

Other Hose Assemblies can be ordered using the following Part Number procedure:

HOSE PART NO * SEAT TO SEAT LENGTH in mm
* COUPLING PART NO * COUPLING PART NO

EXAMPLE: RT7-M02 * 3000 * 7204-M0207 * 7262-M0216

If Spring Guards are required, add as follows:

RT7-M02 * 3000 * 7204-M0207+750-M02 * 7262-M0216

TEST HOSE

RT7-M TEST HOSE

RT7-M02 2MM 630 BAR TEST HOSE

RT7-M04 4MM 340 BAR TEST HOSE

COUPLINGS FOR TEST HOSE

Note: Assembly Charge is included in price.

Bend Restrictors (Part Numbers 750-M02 and 750-M04) are ordered separately.

7201P

BSPP MALE



7201P-M0204 2MM HOSE TO -04 BSPP MALE

7202

BSPP FEMALE



7202-M0204 2MM HOSE TO -04 BSPPF

7202-M0404 4MM HOSE TO -04 BSPPF

7202G

BSPP FEMALE GAUGE



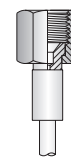
7202G-M0204..... 2MM HOSE TO -04 BSPP GAUGE

7202G-M0208..... 2MM HOSE TO -08 BSPP GAUGE

7202G-M0404..... 4MM HOSE TO -04 BSPP GAUGE

7204

JIC FEMALE



7204-M0207 2MM HOSE TO -07 JICFS

7204-M0209 2MM HOSE TO -09 JICFS

7204-M0407 4MM HOSE TO -07 JICFS

7204-M0409 4MM HOSE TO -09 JICFS

7262

M16 X 2,0 FEMALE TO SUIT TEST POINT



7262-M0216 2MM HOSE TO M16X2 FEM

7262-M0416 4MM HOSE TO M16X2 FEM

750-M

BEND RESTRICTOR SPRING



750-M02..... BEND RESTRICTOR SPRING

750-M04..... BEND RESTRICTOR SPRING

CP01

PVC PLUG



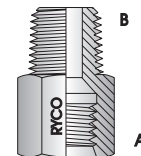
CP01-M02..... M16X2 PVC PLUG WITH COLLAR

CP01-M04..... M16X2 PVC PLUG WITH COLLAR

CONVERSION ADAPTORS

C24

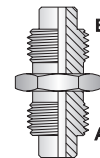
BSPT MALE M10 X 1 FEMALE



C24-1004 M10X1 FEMALE -04 BSPT MALE

C27

MALE JOINER



C27-1616 M16X2 MALE JOINER

C80

CONVERSION ADAPTOR



C80-1216 S12,65 X 1,5 M TO M16 X 2 FM

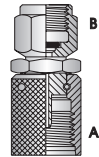
C80-1612 M16 X 2 M TO S12,65 X 1,5 FM

C80-1615 M16 X 2 M TO M16 X 1,5 FM

TEST POINT AND PRESSURE GAUGES

C81

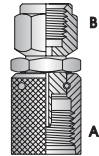
**BSPP FEMALE
GAUGE ADAPTOR**



C81-1604..... M16X2 FEMALE -04 BSP FEM
C81-1608..... M16X2 FEMALE -08 BSP FEM

C81N

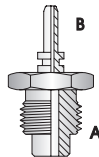
**NPT FEMALE
GAUGE ADAPTOR**



C81N-1604..... M16X2 FEMALE -04 NPT FEM

C99

**MALE
MALE STAPLE**

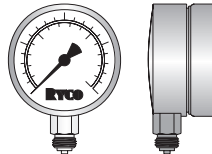


C99-16SK..... M16X2 MALE MALE STAPLE

PRESSURE GAUGES

RG01

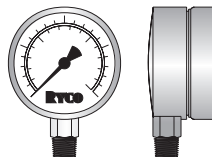
**PRESSURE GAUGE
1/4" BSPP BOTTOM ENTRY
63 MM DIAMETER
STAINLESS STEEL CASE
GLYCERINE FILLED**



RG01-003..... -1 TO 3 BAR
RG01-010..... 0 TO 10 BAR
RG01-016..... 0 TO 16 BAR
RG01-025..... 0 TO 25 BAR
RG01-040..... 0 TO 40 BAR
RG01-060..... 0 TO 60 BAR
RG01-100..... 0 TO 100 BAR
RG01-160..... 0 TO 160 BAR
RG01-250..... 0 TO 250 BAR
RG01-400..... 0 TO 400 BAR
RG01-600..... 0 TO 600 BAR

RG01T

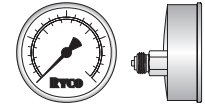
**PRESSURE GAUGE
1/4" BSPT BOTTOM ENTRY
63 MM DIAMETER
STAINLESS STEEL CASE
GLYCERINE FILLED**



RG01T-003..... -1 TO -3 BAR
RG01T-010..... 0 TO 10 BAR
RG01T-016..... 0 TO 16 BAR
RG01T-040..... 0 TO 40 BAR
RG01T-100..... 0 TO 100 BAR
RG01T-160..... 0 TO 160 BAR
RG01T-250..... 0 TO 250 BAR
RG01T-400..... 0 TO 400 BAR
RG01T-600..... 0 TO 600 BAR

RG02

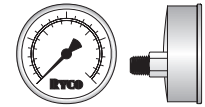
**PRESSURE GAUGE
1/4" BSPP REAR ENTRY
63 MM DIAMETER
STAINLESS STEEL CASE
GLYCERINE FILLED**



RG02-003..... -1 TO 3 BAR
RG02-010..... 0 TO 10 BAR
RG02-016..... 0 TO 16 BAR
RG02-025..... 0 TO 25 BAR
RG02-040..... 0 TO 40 BAR
RG02-060..... 0 TO 60 BAR
RG02-100..... 0 TO 100 BAR
RG02-160..... 0 TO 160 BAR
RG02-250..... 0 TO 250 BAR
RG02-400..... 0 TO 400 BAR
RG02-600..... 0 TO 600 BAR

RG02T

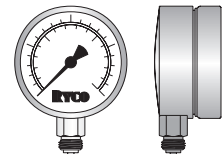
**PRESSURE GAUGE
1/4" BSPP REAR ENTRY
63 MM DIAMETER
STAINLESS STEEL CASE
GLYCERINE FILLED**



RG02T-400..... 0 TO 400 BAR

RG11

**PRESSURE GAUGE
1/2" BSPP BOTTOM ENTRY
100 MM DIAMETER
STAINLESS STEEL CASE
GLYCERINE FILLED**



RG11-003..... -1 TO 3 BAR
RG11-010..... 0 TO 10 BAR
RG11-016..... 0 TO 16 BAR
RG11-025..... 0 TO 25 BAR
RG11-040..... 0 TO 40 BAR
RG11-060..... 0 TO 60 BAR
RG11-100..... 0 TO 100 BAR
RG11-160..... 0 TO 160 BAR
RG11-250..... 0 TO 250 BAR
RG11-400..... 0 TO 400 BAR
RG11-600..... 0 TO 600 BAR

RG12

**PRESSURE GAUGE
1/2" BSPP REAR ENTRY
100 MM DIAMETER
STAINLESS STEEL CASE
GLYCERINE FILLED**



RG12-003..... -1 TO 3 BAR
RG12-010..... 0 TO 10 BAR
RG12-016..... 0 TO 16 BAR
RG12-025..... 0 TO 25 BAR
RG12-040..... 0 TO 40 BAR
RG12-060..... 0 TO 60 BAR
RG12-100..... 0 TO 100 BAR
RG12-160..... 0 TO 160 BAR
RG12-250..... 0 TO 250 BAR
RG12-400..... 0 TO 400 BAR
RG12-600..... 0 TO 600 BAR

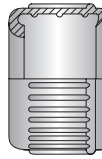
ACCESSORIES

PRESSURE GAUGES

GAUGE ACCESSORIES

COVERS

BLUE RUBBER
PROTECTIVE COVER



RG01-COVER..... SUIT 63MM GAUGE
RG11-COVER..... SUIT 100MM GAUGE

WALL MOUNTS

WALL BRACKET FOR
BOTTOM ENTRY GAUGES



RG01-WMOUNT SUIT 63MM GAUGE
RG11-WMOUNT SUIT 100MM GAUGE

FLANGE MOUNTS

3-HOLE FLANGE
PANEL MOUNT FOR
REAR ENTRY GAUGES



RG02-FMOUNT .. SUIT 63MM GAUGE
RG12-FMOUNT .. SUIT 100MM GAUGE

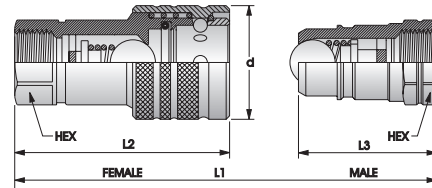
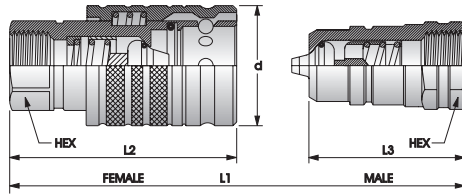
PANEL MOUNTS

REAR BRACKET
PANEL MOUNT FOR
REAR ENTRY GAUGES



RG02-PMOUNT .. SUIT 63MM GAUGE
RG12-PMOUNT .. SUIT 100MM GAUGE.

QUICK RELEASE COUPLINGS



R80 BSPPF QRC/POPPET

R80-04F FEMALE BODY
 R80-04M MALE TIP
 R80-06F FEMALE BODY
 R80-06M MALE TIP
 R80-04FM FEMALE & MALE
 R80-06FM FEMALE & MALE

R81 BSPPF ISO A QRC/POPPET

R81-08CPM MALE TIP CONNECT UNDER PRESSURE
 R81-08F FEMALE BODY
 R81-08M MALE TIP
 R81-08P FEMALE BODY PUSH/PULL
 R81-08FM FEMALE & MALE
 R81-08PM FEMALE PUSH/PULL & MALE

R82 BSPPF ISO A QRC/POPPET

R82-12F FEMALE BODY
 R82-12M MALE TIP
 R82-16F FEMALE BODY
 R82-16M MALE TIP
 R82-12FM FEMALE & MALE
 R82-16FM FEMALE & MALE

R85 NPT ISO A QRC/POPPET

R85-04F FEMALE BODY
 R85-04M MALE TIP
 R85-06F FEMALE BODY
 R85-06M MALE TIP
 R85-08M MALE TIP
 R85-08P FEMALE BODY PUSH/PULL
 R85-12F FEMALE BODY
 R85-12M MALE TIP
 R85-16F FEMALE BODY
 R85-16M MALE TIP
 R85-04FM FEMALE & MALE
 R85-06FM FEMALE & MALE
 R85-08PM FEMALE PUSH/PULL & MALE
 R85-12FM FEMALE & MALE
 R85-16FM FEMALE & MALE

R86 UNOF QRC/POPPET

R86-12F -12 UNOF -08 FEMALE BODY
 R86-12M -12 UNOF -08 MALE TIP
 R86-12P -12 UNOF -08 FEMALE PUSH/PULL
 R86-14M -14 UNOF -08 MALE TIP
 R86-14P -14 UNOF -08 FEMALE PUSH/PULL
 R86-12FM -12 UNOF FEMALE & MALE
 R86-12PM -12 UNOF FEMALE PUSH/PULL & MALE
 R86-14PM -14 UNOF FEMALE PUSH/PULL & MALE

R91 BSPPF ISO A QRC/BALL

R91-08F FEMALE BODY
 R91-08M MALE TIP
 R91-08P FEMALE BODY PUSH/PULL
 R91-08FM FEMALE & MALE
 R91-08PM FEMALE PUSH/PULL & MALE

R94 NPT QRC/BALL

R94-04F FEMALE BODY
 R94-04M MALE TIP
 R94-06F FEMALE BODY
 R94-06M MALE TIP
 R94-08F FEMALE BODY
 R94-08M MALE TIP
 R94-08P FEMALE BODY PUSH/PULL
 R94-04FM FEMALE & MALE
 R94-06FM FEMALE & MALE
 R94-08FM FEMALE & MALE
 R94-08PM FEMALE & MALE

R96 UNOF QRC/BALL

R96-12M -12 UNOF -08 MALE TIP
 R96-12P -12 UNOF -08 FEMALE PUSH/PULL
 R96-12PM FEMALE PUSH/PULL & MALE

RB QRC BRACKET

RB-08 QRC BRACKET C/W/ 4 CIRCLIPS
 RB-08P QRC KIT BRACKET/CAPS/PLUGS
 RB-08X QRC BRACKET ONLY
 C38X 38 MM EXTERNAL CIRCLIP

RDC QRC DUST CAP

RDC-08 DUST CAP RED

RDP QRC DUST PLUG

RDP-08 DUST PLUG RED

QDC/QDC2 QRC RUBBER DUST CAP

QDC-04 -04 RUBBER DUST CAP
 QDC-06 -06 RUBBER DUST CAP
 QDC-08 -08 RUBBER DUST CAP
 QDC-12 -12 RUBBER DUST CAP
 QDC-16 -16 RUBBER DUST CAP

QDC2-04 -04 DUST CAP R80/91/94/95/96
 QDC2-06 -06 DUST CAP R80/91/94/95/96

ACCESSORIES

QUICK RELEASE COUPLINGS

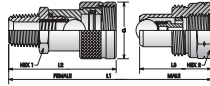
QDP/QDP2 QRC RUBBER DUST PLUG

QDP-04 -04 RUBBER DUST PLUG
 QDP-06 -06 RUBBER DUST PLUG
 QDP-08 -08 RUBBER DUST PLUG
 QDP-12 -12 RUBBER DUST PLUG
 QDP-16 -16 RUBBER DUST PLUG

QDP2-04..... -04 DUST PLUG R80/91/94/95/96
 QDP2-06..... -06 DUST PLUG R80/91/94/95/96

R100

NPT QRC 10,000PSI



R100-04F FEMALE BODY
 R100-04M..... MALE TIP
 R100-06F FEMALE BODY
 R100-06M..... MALE TIP
 R100-06DC.. DUST CAP FOR -04M & -06M
 R100-06DP.. DUST PLUG FOR -04F & -06F
 R100-04FM.. FEMALE & MALE
 R100-04FMPC.... FEMALE & MALE WITH PLUG/CAP
 R100-06FM.. FEMALE & MALE
 R100-06FMPC.... FEMALE & MALE WITH PLUG/CAP

DISPLAY PACKS

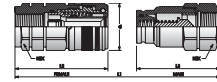
DISPLAY PACKS FOR QUICK RELEASE COUPLINGS.



R80D-04F.....PACK OF 6
 R80D-04M.....PACK OF 12
 R80D-06F.....PACK OF 6
 R80D-06M.....PACK OF 12
 R81D-08F.....PACK OF 6
 R81D-08M.....PACK OF 12
 R81D-08P.....PACK OF 6
 R86D-12F.....PACK OF 6
 R86D-12M.....PACK OF 12
 R86D-12P.....PACK OF 6
 R91D-08F.....PACK OF 6
 R91D-08M.....PACK OF 12
 R91D-08P.....PACK OF 6
 R94D-04F.....PACK OF 6
 R94D-04M.....PACK OF 12
 R94D-06F.....PACK OF 6
 R94D-06M.....PACK OF 12
 R94D-08F.....PACK OF 6
 R94D-08M.....PACK OF 12
 R94D-08P.....PACK OF 6
 R96D-12M.....PACK OF 12
 R96D-12P.....PACK OF 6
 R100D-04F.....PACK OF 6
 R100D-04M.....PACK OF 12
 R100D-06F.....PACK OF 6
 R100D-06M.....PACK OF 12

R110

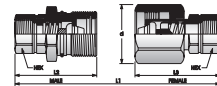
BSPPF FLAT FACE QRC



R110-0404FFEMALE BODY
 R110-0404M.....MALE TIP
 R110-0606FFEMALE BODY
 R110-0606M.....MALE TIP
 R110-0608FFEMALE BODY
 R110-0608M.....MALE TIP
 R110-0808FFEMALE BODY
 R110-0808M.....MALE TIP
 R110-0812FFEMALE BODY
 R110-0812M.....MALE TIP
 R110-1212FFEMALE BODY
 R110-1212M.....MALE TIP
 R110-1216FFEMALE BODY
 R110-1216M.....MALE TIP
 R110-1620FFEMALE BODY
 R110-1620M.....MALE TIP
 R110-0404FM.....-0404 F&M FLAT FACE QRC BSPPF
 R110-0606FM.....-0606 F&M FLAT FACE QRC BSPPF
 R110-0608FM.....-0608 F&M FLAT FACE QRC BSPPF
 R110-0808FM.....-0808 F&M FLAT FACE QRC BSPPF
 R110-0812FM.....-0812 F&M FLAT FACE QRC BSPPF
 R110-1212FM.....-1212 F&M FLAT FACE QRC BSPPF
 R110-1216FM.....-1216 F&M FLAT FACE QRC BSPPF
 R110-1620FM.....-1620 F&M FLAT FACE QRC BSPPF
 R110-06FC.....-06 CAP FOR R110-0606F & -0608F
 R110-08FC.....-08 CAP FOR R110-0808F & -0812F
 R110-12FC.....-12 CAP FOR R110-1212F & -1216F
 R110-16FC.....-16 CAP FOR R110-1620F
 R110-06MC.....-06 CAP FOR R110-0606M & -0608M
 R110-08MC.....-08 CAP FOR R110-0808M & -0812M
 R110-12MC.....-12 CAP FOR R110-1212M & -1216M
 R110-16MC.....-16 CAP FOR R110-1620M

R120

BSPPF QRC SCREW RELEASE

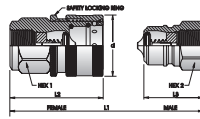


R120-08FFEMALE BODY
 R120-08M.....MALE TIP
 R120-12FFEMALE BODY
 R120-12M.....MALE TIP
 R120-16FFEMALE BODY
 R120-16M.....MALE TIP
 R120-08DC-08DC DUST CAP QRC
 R120-08DP-08DP DUST PLUG QRC
 R120-16DC-16DC DUST CAP QRC FOR-12, -16
 R120-16DP-16DP DUST PLUG QRC FOR-12&-16
 R120-08FMFEMALE & MALE
 R120-12FMFEMALE & MALE
 R120-16FMFEMALE & MALE

QUICK RELEASE COUPLINGS

R130

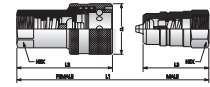
BSPPF QRC/POPPET HI-FLO



- R130-06F FEMALE BODY
- R130-06M MALE TIP
- R130-08F FEMALE BODY
- R130-08M MALE TIP
- R130-12F FEMALE BODY
- R130-12M MALE TIP
- R130-16F FEMALE BODY
- R130-16M MALE TIP
- R130-06FM FEMALE & MALE
- R130-08FM FEMALE & MALE
- R130-12FM FEMALE & MALE
- R130-16FM FEMALE & MALE

R140

BSPPF QRC/POPPET
PBR INTERCHANGE



- R140-1616F FEMALE BODY
- R140-1616M MALE TIP
- R140-1616FM FEMALE & MALE
- R140-16MC MALE DUST CAP
- R140-16FC FEMALE DUST CAP
- R140-16SK SEAL KIT (PK OF 5)

QUICK RELEASE COUPLINGS COMPONENTS

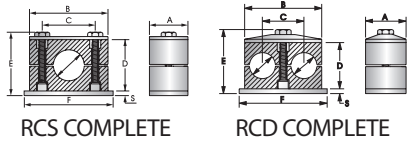
PART NUMBER	PACK CONTAINS	SUITS			
R80D-04TO	-04 O Ring and Teflon Washer	R80-04F, R94-04F			
R80D-06TO	-06 O Ring and Teflon Washer	R80-06F, R94-06F			
R81D-08TO	-08 O Ring and Teflon Washer Sleeve	R81-08F, R86-12F, R94-08F			
	Note: Also suits newer Push/Pull Sleeve Couplings with lip. R81-08P, R85-08P, R86-12P, R91-08P, R94-08P, R96-12P				
R81D-08PTO	-08 O Ring and Teflon Washer Push/Pull Sleeve	R81-08P, R85-08P, R86-12P, R91-08P, R94-08P, R96-12P			
	Note: Suits older Push/Pull Sleeve couplings without lip. If coupling has lip in front of O Ring, use R81D-08TO.				
R82D-12TO	-12 O Ring and Teflon Washer	R82-12F, R85-12F			
R82D-16TO	-16 O Ring and Teflon Washer	R82-16F, R85-16F			
R85D-04TO	-04 O Ring and Teflon Washer	R85-04F			
R85D-06TO	-06 O Ring and Teflon Washer	R85-06F			
R86D-14SK	-14 Seal Kit (O Ring and Teflon Washer)	R86-14F			
R100D-06TO	O Ring and Teflon Washer	R100-04F, R100-06F			
R110D-04MTO	O Ring and Teflon Washer	R110-0404M			
R110D-06MTO	O Ring and Teflon Washer	R110-0606M, R110-0608M			
R110D-08MTO	O Ring and Teflon Washer	R110-0808M, R110-0812M			
R110D-12MTO	O Ring and Teflon Washer	R110-1212M, R110-1216M			
R120D-08SK	Dust Seal, O Ring and Teflon Washer	R120-08M			
R120D-16SK	Dust Seal, O Ring and Teflon Washer	R120-12M, R120-16M			
R130D-06SK	-06 Seal Kit (2 x O Rings + Back Up)	R130-06F			
R130D-08SK	-08 Seal Kit (2 x O Rings + Back Up)	R130-08F			
R130D-12SK	-12 Seal Kit (2 x Different O Rings)	R130-12F			
R130D-16SK	-16 Seal Kit (2 x Different O Rings)	R130-16F			

ACCESSORIES

SINGLE AND DOUBLE CLAMPS

RYCO COMPLETE SINGLE AND DOUBLE CLAMPS

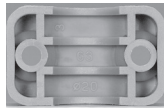
PACKS OF 5 COMPLETE CLAMPS



Jaws shown for illustration purposes.
Pack contains components for 5 complete clamps with the type of jaw shown.

RCS D

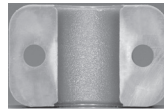
RIBBED BORE
SINGLE



- RCS D-06PACK OF 5
- RCS D-08PACK OF 5
- RCS D-10PACK OF 5
- RCS D-12PACK OF 5
- RCS D-127PACK OF 5
- RCS D-14PACK OF 5
- RCS D-15PACK OF 5
- RCS D-16PACK OF 5
- RCS D-18PACK OF 5
- RCS D-19PACK OF 5
- RCS D-20PACK OF 5
- RCS D-22PACK OF 5
- RCS D-25PACK OF 5
- RCS D-254PACK OF 5
- RCS D-28PACK OF 5
- RCS D-30PACK OF 5
- RCS D-32PACK OF 5
- RCS D-35PACK OF 5
- RCS D-38PACK OF 5
- RCS D-42PACK OF 5

RCS D-S

SMOOTH BORE
SINGLE



- RCS D-06SPACK OF 5
- RCS D-08SPACK OF 5
- RCS D-095S ..PACK OF 5
- RCS D-10SPACK OF 5
- RCS D-12SPACK OF 5
- RCS D-127S ..PACK OF 5
- RCS D-14SPACK OF 5
- RCS D-15SPACK OF 5
- RCS D-16SPACK OF 5
- RCS D-18SPACK OF 5
- RCS D-19SPACK OF 5
- RCS D-20SPACK OF 5
- RCS D-22SPACK OF 5
- RCS D-25SPACK OF 5
- RCS D-254S ..PACK OF 5
- RCS D-28SPACK OF 5
- RCS D-30SPACK OF 5
- RCS D-32SPACK OF 5
- RCS D-35SPACK OF 5
- RCS D-38SPACK OF 5
- RCS D-42SPACK OF 5

RCDD

RIBBED BORE
DOUBLE



- RCDD-06PACK OF 5
- RCDD-08PACK OF 5
- RCDD-10PACK OF 5
- RCDD-12PACK OF 5
- RCDD-127PACK OF 5
- RCDD-14PACK OF 5
- RCDD-15PACK OF 5
- RCDD-16PACK OF 5
- RCDD-18PACK OF 5
- RCDD-19PACK OF 5
- RCDD-20PACK OF 5
- RCDD-22PACK OF 5
- RCDD-25PACK OF 5
- RCDD-254PACK OF 5
- RCDD-28PACK OF 5
- RCDD-30PACK OF 5
- RCDD-32PACK OF 5
- RCDD-35PACK OF 5
- RCDD-38PACK OF 5
- RCDD-42PACK OF 5

RCDD-S

SMOOTH BORE
DOUBLE

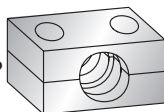


- RCDD-06SPACK OF 5
- RCDD-08SPACK OF 5
- RCDD-095S .PACK OF 5
- RCDD-10SPACK OF 5
- RCDD-12SPACK OF 5
- RCDD-127S .PACK OF 5
- RCDD-14SPACK OF 5
- RCDD-15SPACK OF 5
- RCDD-16SPACK OF 5
- RCDD-18SPACK OF 5
- RCDD-19SPACK OF 5
- RCDD-20SPACK OF 5
- RCDD-22SPACK OF 5
- RCDD-25SPACK OF 5
- RCDD-254S .PACK OF 5
- RCDD-28SPACK OF 5
- RCDD-30SPACK OF 5
- RCDD-32SPACK OF 5
- RCDD-35SPACK OF 5
- RCDD-38SPACK OF 5
- RCDD-42SPACK OF 5

BULK COMPONENTS - RCS SINGLE CLAMPS

RCS-J

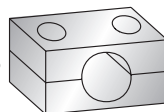
RIBBED BORE
SINGLE CLAMP
JAWS



- RCS-06J
- RCS-08J
- RCS-10J
- RCS-12J
- RCS-127J
- RCS-14J
- RCS-15J
- RCS-16J
- RCS-18J
- RCS-19J
- RCS-20J
- RCS-213J
- RCS-22J
- RCS-25J
- RCS-254J
- RCS-28J
- RCS-30J
- RCS-32J
- RCS-337J
- RCS-35J
- RCS-38J
- RCS-42J
- RCS-508J

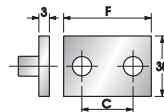
RCS-JS

SMOOTH BORE
SINGLE CLAMP
JAWS



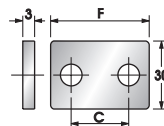
- RCS-06JS
- RCS-08JS
- RCS-095JS
- RCS-10JS
- RCS-12JS
- RCS-127JS
- RCS-14JS
- RCS-15JS
- RCS-16JS
- RCS-18JS
- RCS-19JS
- RCS-20JS
- RCS-22JS
- RCS-25JS
- RCS-254JS
- RCS-28JS
- RCS-30JS
- RCS-32JS
- RCS-35JS
- RCS-38JS
- RCS-42JS

BOTTOM PLATES



- RCS-1PB
- RCS-2PB
- RCS-3PB
- RCS-4PB
- RCS-5PB
- RCS-6PB

TOP PLATES



- RCS-1PT
- RCS-2PT
- RCS-3PT
- RCS-4PT
- RCS-5PT
- RCS-6PT

HEX BOLTS

- RCS-1BH
- RCS-2BH
- RCS-3BH
- RCS-4BH
- RCS-5BH
- RCS-6BH

RCS SINGLE CLAMPS STACKING BOLTS AND PLATES

- RCS-1BS
- RCS-1PS
- RCS-2BS
- RCS-2PS
- RCS-3BS
- RCS-3PS
- RCS-4BS
- RCS-4PS
- RCS-5BS
- RCS-5PS

RCS SINGLE CLAMPS DOUBLE & MULTIPLE BOTTOM PLATES

- RCS-1PD
- RCS-1PM
- RCS-2PD
- RCS-2PM
- RCS-3PD
- RCS-3PM

RAIL MOUNT COMPONENTS

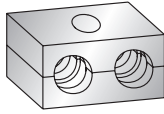
- RC-RAIL-H11 2m
- RC-RAIL-H14 2m
- RC-RAIL-H30 2m
- RC-RN-M6 10
- RC-RN-M8 10

SINGLE AND DOUBLE CLAMPS, BALL VALVES AND CHECK VALVES

BULK COMPONENTS - RCD DOUBLE CLAMPS

RCD-J

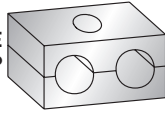
RIBBED BORE
DOUBLE CLAMP
JAWS



RCD-06J
RCD-08J
RCD-10J
RCD-12J
RCD-127J
RCD-14J
RCD-15J
RCD-16J
RCD-172J
RCD-18J
RCD-19J
RCD-20J
RCD-213J
RCD-22J
RCD-25J
RCD-254J
RCD-28J
RCD-30J
RCD-32J
RCD-35J
RCD-38J
RCD-42J

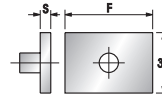
RCD-JS

SMOOTH BORE
DOUBLE CLAMP
JAWS



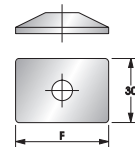
RCD-06JS
RCD-08JS
RCD-095JS
RCD-10JS
RCD-12JS
RCD-127JS
RCD-14JS
RCD-15JS
RCD-16JS
RCD-18JS
RCD-19JS
RCD-20JS
RCD-22JS
RCD-25JS
RCD-254JS
RCD-28JS
RCD-30JS
RCD-32JS
RCD-35JS
RCD-38JS
RCD-42JS

BOTTOM PLATES



RCD-1PB
RCD-2PB
RCD-3PB
RCD-4PB
RCD-5PB

TOP PLATES



RCD-1PT
RCD-2PT
RCD-3PT
RCD-4PT
RCD-5PT

HEX BOLTS

RCD-1BH
RCD-2BH
RCD-3BH
RCD-4BH
RCD-5BH

RCD DOUBLE CLAMPS STACKING BOLTS AND PLATES

RCD-1BS
RCD-1PS
RCD-2BS
RCD-2PS
RCD-3BS
RCD-3PS USE RCD-2PS
RCD-4BS
RCD-4PS USE RCD-2PS
RCD-5BS
RCD-5PS USE RCD-2PS

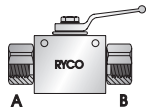
RAIL MOUNT COMPONENTS

RC-RAIL-H11 2m
RC-RAIL-H14 2m
RC-RAIL-H30 2m
RC-RN-M6 10
RC-RN-M8 10

RL20 BALL VALVES, RCV CHECK VALVES

RL20

BSPPFF BSPPFF
BALL VALVE



RL20-0404
RL20-0606
RL20-0808
RL20-1212
RL20-1616
RL20-2020
RL20-2424
RL20-3232

SPARE HANDLES
TO SUIT GOLD PLATED
RL20 BALL VALVES

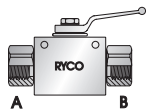
RL20-HA08
ALLOY HANDLE SUITS
-0404, -0606 & -0808

RL20-HA16
ALLOY HANDLE SUITS
-1212, -1616

RL20-HS08
STEEL HANDLE SUITS
-0404, -0606 & -0808

RL20SH

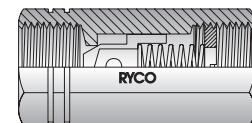
BSPPFF BSPPFF
BALL VALVE
WITH STEEL
HANDLE



RL20SH-0404
RL20SH-0606
RL20SH-0808
RL20SH-1212
RL20SH-1616
RL20SH-2020
RL20SH-2424
RL20SH-3232

RCV

BSPP CHECK VALVE
200 BAR (0,35 BAR CRACKING)



RCV-0404
RCV-0606
RCV-0808
RCV-1212
RCV-1616
RCV-2020
RCV-2424

RCVSH

SPRING (3,5 BAR CRACKING)
SUITS RCV

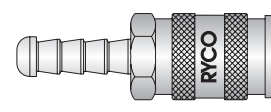
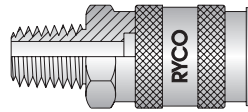
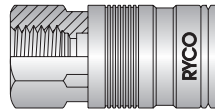
RCVSH-04
RCVSH-06
RCVSH-08
RCVSH-12
RCVSH-16
RCVSH-20
RCVSH-24

ACCESSORIES

RYCO AIRLINE COUPLINGS AND FITTINGS

200	231	291	332	440PH
200S	236	292	340	440PM
201	237	293	341	440SF
201S	238	294	344	440SH
202	240	295	354	440SM
202S	240S	297A	357	500
203	241	298	377	501
203S	241S	299	379	502.5
204	243	302	385	503
205	243S	303	387	504
205S	244	304	389	505
206	244S	305	410PM	506
206A	245	306	417A	506A
206AS	245S	307	420PF	517A
206S	251S	308	420PH	540
207	252S	309	420PM	541
208	254S	310	420SF	542
209	255	310-10A	420SH	543
210	256	310-2A	420SM	544
217	258	310-3A	425PH	545
218	260	310-4A	425SH	546
218A	262S	310-7A	430PF	547
219	263S	310-9	430PH	551
220	264S	320	430PM	552
224	266S	321	430SF	554
227	267S	322	430SH	566
228	270S	323	430SM	570
229	290	330	440PF	

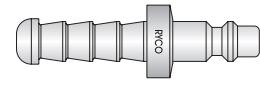
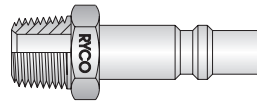
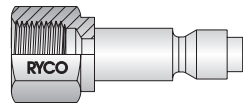
AUTOMATIC COUPLINGS



BARB SIZE PACK SIZE	200S SERIES		200 SERIES		290 SERIES		300 SERIES		400 SERIES		500 SERIES	
	PT. NO.		PT. NO.		PT. NO.		PT. NO.		PT. NO.		PT. NO.	
1/4 FEMALE BSPP	200S		200		290				420SF		500	
3/8 FEMALE BSPP	243S		243		292		322		430SF		543	
1/2 FEMALE BSPP					294		320		440SF		546	
1/4 MALE BSPT	201S		201		291				420SM		501	
3/8 MALE BSPT	244S		244		293		323		430SM		544	
1/2 MALE BSPT					295		321		440SM		547	
1/4 HOSE TAIL	245S		245						420SH		545	
5/16 HOSE TAIL	240S		240		297A				425SH		540	
3/8 HOSE TAIL	241S		241		298		340		430SH		541	
1/2 HOSE TAIL					299		341		440SH		542	

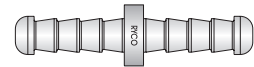
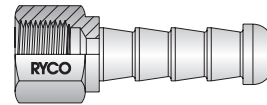
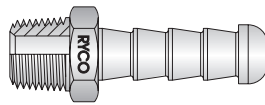
RYCO AIRLINE COUPLINGS AND FITTINGS

COUPLING NIPPLES



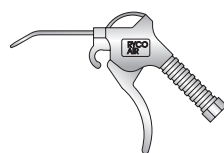
THREAD SIZE BARB SIZE PACK SIZE	200S SERIES PT. NO.	200 SERIES PT. NO.	290 SERIES PT. NO.	300 SERIES PT. NO.	400 SERIES PT. NO.	500 SERIES PT. NO.
1/8 FEMALE BSPP						
1/4 FEMALE BSPP	203S	203	"USE 200S SERIES"		420PF	503
3/8 FEMALE BSPP	266S			330	430PF	566
1/2 FEMALE BSPP				303	440PF	570
SCHRADER FEM SHORT			"USE 200S SERIES"			
SCHRADER FEM LONG					417A	517A
1/8 MALE BSPT		204	"USE 200S SERIES"		410PM	504
1/4 MALE BSPT	202S	202		332	420PM	502
3/8 MALE BSPT	251S			304	430PM	551
1/2 MALE BSPT	252S			302	440PM	552
3/16 HOSE TAIL		256	"USE 200S SERIES"			
1/4 HOSE TAIL	205S	205			420PH	505
5/16 HOSE TAIL	206S	206			425PH	506
3/8 HOSE TAIL	206AS	206A		305	430PH	506A
1/2 HOSE TAIL	254S			306	440PH	554
3/4 HOSE TAIL						

HOSE BARB FITTINGS



HOSE BARB		BSPT MALE		BSPP FEMALE		HOSE BARB	
BARB SIZE	THREAD	PT. NO.		PT. NO.		PT. NO.	
5/16	1/4	208					
3/8	1/4	209		238		229	
1/2	1/4	210				258	
1/2	3/8	308					
1/2	1/2	310					
3/4	1/2	310-10A					

BLOW GUN



THREAD SIZE BARB SIZE PACK SIZE	BLOW GUN PT. NO.
1/4 FEMALE BSPP	224

ACCESSORIES

CRIMPING EQUIPMENT

RY16

1" MINI CRIMPER



RY16 1" RYCO MINI CRIMPER C/W 7 DIE SETS

DIE SETS AVAILABLE

RY16-07 DIE SET RY16 7MM (60MM LONG)
RY16-10 DIE SET RY16 10MM (60MM LONG)
RY16-12 DIE SET RY16 12MM (60MM LONG)
RY16-14 DIE SET RY16 14MM (60MM LONG)
RY16-16 DIE SET RY16 16MM (60MM LONG)
RY16-19 DIE SET RY16 19MM (60MM LONG)
RY16-23 DIE SET RY16 23MM (60MM LONG)
RY16-27 DIE SET RY16 27MM (60MM LONG)
RY16-31 DIE SET RY16 31MM (60MM LONG)
RY16-37 DIE SET RY16 37MM (60MM LONG)

ACCESSORIES



RY16-AP AIR/OIL PUMP 700BAR/10000PSI RY16
RY16-HP HAND PUMP 700BAR/10000PSI RY16
RY16-HA HOSE ASSY 700BAR/10000PSI RY16

RY20

1.1/4" CRIMPER
DIGITAL CONTROL



RY20C-12V 1.1/4" DIG CTRL 12V W/DIES
RY20C-24V 1.1/4" DIG CTRL 24V W/DIES
RY20C-1 1.1/4" DIG CTRL 1PH W/DIES
RY20CB-1 1.1/4" DIG CTRL 1PH W/BASE+DIES
RY20CB-3 1.1/4" DIG CTRL 3PH W/BASE+DIES

RY32

2" CRIMPER
DIGITAL CONTROL



RY32C-24V 2" DIGITAL CTRL 24V W/DIES
RY32CB-1 2" DIGITAL CTRL 1PH W/DIES+BASE
RY32CB-3 2" DIGITAL CTRL 3PH W/DIES+BASE

RY65

3" CRIMPER
DIGITAL CONTROL



RY65C-3 3" DIGITAL CONTROL W/DIES

RY80

4" CRIMPER
DIGITAL CONTROL



RY80C-3 4" DIGITAL CONTROL W/DIES

RY125C-3 6" DIGITAL CONTROL W/DIES

RY CRIMPERS

DIES AND ACCESSORIES



RY20-10 DIE SET RY20 10MM 55MM L
RY20-12 DIE SET RY20 12MM 55MM L
RY20-34 DIE SET RY20 34MM 75MM L

RY32-07 DIE SET RY32 7MM 55MM L
RY32-10 DIE SET RY32 10MM 55MM L
RY32-12 DIE SET RY32 12MM 55MM L
RY32-14 DIE SET RY32 14MM 55MM L
RY32-16 DIE SET RY32 16MM 55MM L
RY32-19 DIE SET RY32 19MM 55MM L
RY32-22 DIE SET RY32 22MM 55MM L
RY32-26 DIE SET RY32 26MM 55MM L
RY32-30 DIE SET RY32 30MM 75MM L
RY32-34 DIE SET RY32 34MM 75MM L
RY32-39 DIE SET RY32 39MM 75MM L
RY32-39L DIE SET RY20/32 39-45 90MM L
RY32-45 DIE SET RY32 45MM 90MM L
RY32-51 DIE SET RY32 51MM 90MM L
RY32-57 DIE SET RY32 57MM 120MM L
RY32-57L DIE SET RY20/32 57-63 120MM L
RY32-63 DIE SET RY32 63MM 120MM L
RY32-69 DIE SET RY32 69MM 120MM L
RY32-74 DIE SET RY32 74MM 120MM L
RY32-74L DIE SET RY32 74MM 135MM L
RY32-78 DIE SET RY32 78MM 120MM L
RY32-78L DIE SET RY20/32 78-87 135MM L

RY80-78L DIE SET RY80 78MM 135MM L
RY80-84 DIE SET RY80 84MM 120MM L
RY80-92 DIE SET RY80 92MM 120MM L
RY80-100 DIE SET RY80 100MM 120MM L
RY80-108 DIE SET RY80 108MM 120MM L
RY80-116 DIE SET RY80 116MM 120MM L

RY32-QCT QUICK CHANGE TOOL RY20-RY80

R13Y

AIR OVER OIL PUMP



R13Y AIR OIL PUMP 10,000PSI FOR RA20

For any Crimper Equipment, Accessories, Spare Parts or Cut-Off Saws not listed here, please contact us.

CRIMPING EQUIPMENT AND CUT-OFF SAWS

CUT-OFF SAWS

10" SAW
12" SAW
14" SAW



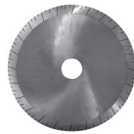
BENCH MOUNTED

CS12B-12V..... 12" CUT-OFF SAW 12 VOLT
CS12B-24V..... 12" CUT-OFF SAW 24 VOLT
CS12B-240..... 12" CUT-OFF SAW 240 VOLT 1-PH
CS12B-415..... 12" CUT-OFF SAW 415 VOLT 3-PH

FREE STANDING

CS12F-240..... 12" CUT-OFF SAW 240 VOLT 1-PH
CS12F-415..... 12" CUT-OFF SAW 415 VOLT 3-PH

CUT-OFF SAW BLADES



CWS10 10" STEEL CUT-OFF SAW BLADE1
CWS12 12" STEEL CUT-OFF SAW BLADE1
CWS14 14" STEEL CUT-OFF SAW BLADE1

For any Crimper Equipment, Accessories, Spare Parts or Cut-Off Saws not listed here, please contact us.

For service or repair of Crimping Equipment or Cut-Off Saws, please contact us.

THREAD ID KIT



Prices for Thread ID Kits are net prices - no further discounts apply.

RYCO-MKT0250 THREAD ID KIT DIGITAL VERNIER
RYCO-MKT0250D THREAD ID KIT DIAL VERNIER

SKIVE TOOLS

INTERNAL SKIVE TOOL



TO SUIT 66000N SERIES COUPLINGS

RTSI-12L19 -12 INT SKIVE TOOL 19MM SKIVE
RTSI-16L15 -16 INT SKIVE TOOL 15MM SKIVE
RTSI-20L20 -20 INT SKIVE TOOL 20MM SKIVE
RTSI-24L20 -24 INT SKIVE TOOL 20MM SKIVE
RTSI-32L20 -32 INT SKIVE TOOL 20MM SKIVE

TO SUIT 69000N SERIES COUPLINGS

RTSI-12L10 -12 INT SKIVE TOOL 10MM SKIVE
RTSI-16L15 -16 INT SKIVE TOOL 15MM SKIVE
RTSI-20L17 -20 INT SKIVE TOOL 17MM SKIVE
RTSI-24L25 -24 INT SKIVE TOOL 25MM SKIVE
RTSI-32L20 -32 INT SKIVE TOOL 20MM SKIVE

SPARE BLADES

RTSI-CUT12 -12 INT SKIVE TOOL SPARE BLADE
RTSI-CUT16 -16 INT SKIVE TOOL SPARE BLADE
RTSI-CUT20 -20 & -24 INT SKIVE SPARE BLADE
RTSI-CUT32 -32 INT SKIVE TOOL SPARE BLADE

ACCESSORIES

IN-LINE FILTERS

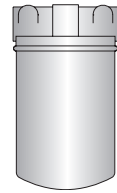
Pack quantity is 1 for all items on this page

RIF-06 & RIF-10 SERIES

IN-LINE FILTERS EUROPEAN STANDARD BSPP THREADED CANISTERS

* Complete filter includes canister and head

COMPLETE FILTER	PORT		ABSOLUTE FILTRATION	REPLACEMENT SPIN-ON CANISTER		HEAD ONLY	
PART NO	BSPP		MICRON	PART NO		PART NO	
RIF-R SERIES - 1 BAR BYPASS VALVE (RETURN LINE APPLICATIONS)							
RIF-R0610	3/4		10	RIF-E0610		RIF-RH06	
RIF-R0625	3/4		25	RIF-E0625		RIF-RH06	
RIF-R1010	1.1/4		10	RIF-E1010		RIF-RH10	
RIF-R1025	1.1/4		25	RIF-E1025		RIF-RH10	
RIF-S SERIES - 0,2 BAR BYPASS VALVE (SUCTION LINE APPLICATIONS)							
RIF-S0610	3/4		10	RIF-E0610		RIF-SH06	
RIF-S0625	3/4		25	RIF-E0625		RIF-SH06	
RIF-S1010	1.1/4		10	RIF-E1010		RIF-SH10	
RIF-S1025	1.1/4		25	RIF-E1025		RIF-SH10	
RIF-B SERIES - BLOCKED BYPASS VALVE							
RIF-B0610	3/4		10	RIF-E0610		RIF-BH06	
RIF-B0625	3/4		25	RIF-E0625		RIF-BH06	
RIF-B1010	1.1/4		10	RIF-E1010		RIF-BH10	
RIF-B1025	1.1/4		25	RIF-E1025		RIF-BH10	

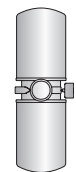


RIF-V12, RIF-P12 & RIF-C12 SERIES

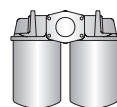
IN-LINE TWIN FILTERS EUROPEAN STANDARD BSPP THREADED CANISTERS

* Complete filter includes canister and head

COMPLETE FILTER	PORT		ABSOLUTE FILTRATION	REPLACEMENT SPIN-ON CANISTER		HEAD ONLY	
PART NO			MICRON	PART NO		PART NO	
RIF-R SERIES - 1 BAR BYPASS VALVE (RETURN LINE APPLICATIONS)							
RIF-RV1210	1.1/2 BSPP		10	RIF-E1010		RIF-RVH12	
RIF-RV1225	1.1/2 BSPP		25	RIF-E1025		RIF-RVH12	
RIF-RP1210	1.1/2 BSPP		10	RIF-E1010		RIF-RPH12	
RIF-RP1225	1.1/2 BSPP		25	RIF-E1025		RIF-RPH12	
RIF-RC1210	1.1/2 CD61		10	RIF-E1010		RIF-RCH12	
RIF-RC1225	1.1/2 CD61		25	RIF-E1025		RIF-RCH12	
RIF-S SERIES - 0,2 BAR BYPASS VALVE (SUCTION LINE APPLICATIONS)							
RIF-SV1210	1.1/2 BSPP		10	RIF-E1010		RIF-SVH12	
RIF-SV1225	1.1/2 BSPP		25	RIF-E1025		RIF-SVH12	
RIF-SP1210	1.1/2 BSPP		10	RIF-E1010		RIF-SPH12	
RIF-SP1225	1.1/2 BSPP		25	RIF-E1025		RIF-SPH12	
RIF-SC1210	1.1/2 CD61		10	RIF-E1010		RIF-SCH12	
RIF-SC1225	1.1/2 CD61		25	RIF-E1025		RIF-SCH12	
RIF-B SERIES - BLOCKED BYPASS VALVE							
RIF-BV1210	1.1/2 BSPP		10	RIF-E1010		RIF-BVH12	
RIF-BV1225	1.1/2 BSPP		25	RIF-E1025		RIF-BVH12	
RIF-BP1210	1.1/2 BSPP		10	RIF-E1010		RIF-BPH12	
RIF-BP1225	1.1/2 BSPP		25	RIF-E1025		RIF-BPH12	
RIF-BC1210	1.1/2 CD61		10	RIF-E1010		RIF-BCH12	



RIF-V12



RIF-P12 & RIF-C12

RIF-A06 & RIF-A10 SERIES

IN-LINE FILTERS AMERICAN STANDARD UNF THREADED CANISTERS

* Complete filter includes canister and head

COMPLETE FILTER	PORT		ABSOLUTE FILTRATION	REPLACEMENT SPIN-ON CANISTER		HEAD ONLY	
PART NO	BSPP		MICRON	PART NO		PART NO	
RIF-R SERIES - 1 BAR BYPASS VALVE (RETURN LINE APPLICATIONS)							
RIF-RA0610	3/4		10	RIF-EA0810		RIF-RHA06	
RIF-RA0625	3/4		25	RIF-EA0825		RIF-RHA06	
RIF-RA1010	1.1/4		10	RIF-EA1210		RIF-RH10	
RIF-RA1025	1.1/4		25	RIF-EA1225		RIF-RH10	
RIF-S SERIES - 0,2 BAR BYPASS VALVE (SUCTION LINE APPLICATIONS)							
RIF-SA0610	3/4		10	RIF-EA0810		RIF-SHA06	
RIF-SA0625	3/4		25	RIF-EA0825		RIF-SHA06	
RIF-SA1010	1.1/4		10	RIF-EA1210		RIF-SH10	
RIF-SA1025	1.1/4		25	RIF-EA1225		RIF-SH10	
RIF-B SERIES - BLOCKED BYPASS VALVE							
RIF-BA0610	3/4		10	RIF-EA0810		RIF-BHA06	
RIF-BA0625	3/4		25	RIF-EA0825		RIF-BHA06	
RIF-BA1010	1.1/4		10	RIF-EA1210		RIF-BH10	
RIF-BA1025	1.1/4		25	RIF-EA1225		RIF-BH10	

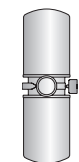


RIF-VA12, RIF-PA12 & RIF-CA12 SERIES

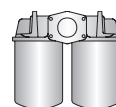
IN-LINE TWIN FILTERS AMERICAN STANDARD UNF THREADED CANISTERS

* Complete filter includes canister and head

COMPLETE FILTER	PORT		ABSOLUTE FILTRATION	REPLACEMENT SPIN-ON CANISTER		HEAD ONLY	
PART NO			MICRON	PART NO		PART NO	
RIF-R SERIES - 1 BAR BYPASS VALVE (RETURN LINE APPLICATIONS)							
RIF-RVA1210	1.1/2 BSPP		10	RIF-EA1210		RIF-RVH12	
RIF-RVA1225	1.1/2 BSPP		25	RIF-EA1225		RIF-RVH12	
RIF-RPA1210	1.1/2 BSPP		10	RIF-EA1210		RIF-RPH12	
RIF-RPA1225	1.1/2 BSPP		25	RIF-EA1225		RIF-RPH12	
RIF-RCA1210	1.1/2 CD61		10	RIF-EA1210		RIF-RCH12	
RIF-RCA1225	1.1/2 CD61		25	RIF-EA1225		RIF-RCH12	
RIF-S SERIES - 0,2 BAR BYPASS VALVE (SUCTION LINE APPLICATIONS)							
RIF-SVA1210	1.1/2 BSPP		10	RIF-EA1210		RIF-SVH12	
RIF-SVA1225	1.1/2 BSPP		25	RIF-EA1225		RIF-SVH12	
RIF-SPA1210	1.1/2 BSPP		10	RIF-EA1210		RIF-SPH12	
RIF-SPA1225	1.1/2 BSPP		25	RIF-EA1225		RIF-SPH12	
RIF-SCA1210	1.1/2 CD61		10	RIF-EA1210		RIF-SCH12	
RIF-SCA1225	1.1/2 CD61		25	RIF-EA1225		RIF-SCH12	
RIF-B SERIES - BLOCKED BYPASS VALVE							
RIF-BVA1210	1.1/2 BSPP		10	RIF-EA1210		RIF-BVH12	
RIF-BVA1225	1.1/2 BSPP		25	RIF-EA1225		RIF-BVH12	
RIF-BPA1210	1.1/2 BSPP		10	RIF-EA1210		RIF-BPH12	
RIF-BPA1225	1.1/2 BSPP		25	RIF-EA1225		RIF-BPH12	
RIF-BCA1210	1.1/2 CD61		10	RIF-EA1210		RIF-BCH12	
RIF-BCA1225	1.1/2 CD61		25	RIF-EA1225		RIF-BCH12	



RIF-VA12



RIF-PA12 & RIF-CA12

ACCESSORIES

IN-LINE FILTERS, BYPASS VALVES AND ACCESSORIES

Pack quantity is 1 for all items on this page

BYPASS VALVES

FOR RIF-06, -10 & -12

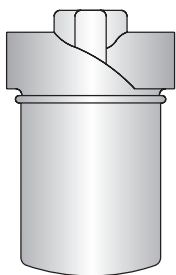
PART NO	DESCRIPTION	SUITS RYCO FILTER HEAD
RIF-RBPV06	1 BAR BYPASS VALVE ASSEMBLY	RIF-R06 RETURN
RIF-RBPV10	1 BAR BYPASS VALVE ASSEMBLY	RIF-R10 AND RIF-R12 RETURN
RIF-RBPVH06	1,7 BAR BYPASS VALVE ASSEMBLY	RIF-R06 RETURN
RIF-RBPVH10	1,7 BAR BYPASS VALVE ASSEMBLY	RIF-R10 AND RIF-R12 RETURN
RIF-SBPV06	0,2 BAR BYPASS VALVE ASSEMBLY	RIF-S06 SUCTION
RIF-SBPV10	0,2 BAR BYPASS VALVE ASSEMBLY	RIF-S10 AND RIF-S12 RETURN
RIF-BBPV06	BLOCKED BYPASS PLUG	RIF-B06
RIF-BBPV10	BLOCKED BYPASS PLUG	RIF-B10 AND RIF-B12

FILTERS AND RESERVOIR ACCESSORIES

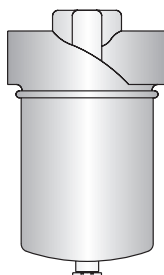
COMPLETE FILTER	PORT	NOMINAL FILTRATION	REPLACEMENT SPIN-ON CARTRIDGE
PART NO	BSPT		
RIF14-1	1	32	R14
RIF-FA10	3/8	32	Z89A
	3/8	32	Z35**
RIF-FA9	3/8	32	Z9
RIF-FA8	3/8	20	Z8
RIF-FA39	3/8	15	Z39
RIF15	1	15	R15

Note:

*Cartridge Z35 will no longer be available when existing stocks are exhausted.



RIF14-1 &
RIF-FA SERIES



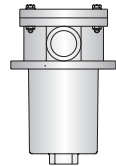
RIF15

IMMERSED (TANK TOP) AND COMBINATION FILTERS

TANK IMMERSED (TANK TOP) FILTERS

RTI SERIES

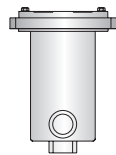
COMPLETE FILTER	PORT	NOMINAL FILTRATION		REPLACEMENT ELEMENT	
PART NO	BSPT	MICRON		PART NO	
RTI-R0410	1/2	10		RTI-E0410	
RTI-R0425	1/2	25		RTI-E0425	
RTI-R0610	3/4	10		RTI-E0610	
RTI-R0625	3/4	25		RTI-E0625	
RTI-R0810	1	10		RTI-E0810	
RTI-R0825	1	25		RTI-E0825	
RTI-R1010	1.1/4	10		RTI-E1010	
RTI-R1025	1.1/4	25		RTI-E1025	



FULLY IMMERSED (TANK TOP) FILTERS

RFI SERIES

COMPLETE FILTER	PORT	NOMINAL FILTRATION		REPLACEMENT ELEMENT	
PART NO	BSPT	MICRON		PART NO	
RFI-R0410	1/2	10		RFI-E0410	
RFI-R0425	1/2	25		RFI-E0425	
RFI-R0610	3/4	10		RFI-E0610	
RFI-R0625	3/4	25		RFI-E0625	
RFI-R0810	1	10		RFI-E0810	
RFI-R0825	1	25		RFI-E0825	
RFI-R1010	1.1/4	10		RFI-E1010	
RFI-R1025	1.1/4	25		RFI-E1025	



COMBINATION FILTERS

RCF SERIES

COMPLETE FILTER	PORT	NOMINAL FILTRATION		REPLACEMENT ELEMENT	
PART NO		MICRON		PART NO	
RCF - R SERIES - 1 BAR BYPASS VALVE (RETURN LINE APPLICATIONS)					
RCF-RP0410	1/2 BSPP	10		RCF-E0410	
RCF-RP0425	1/2 BSPP	25		RCF-E0425	
RCF-RP0610	3/4 BSPP	10		RCF-E0610	
RCF-RP0625	3/4 BSPP	25		RCF-E0625	
RCF-RP0810	1 BSPP	10		RCF-E0810	
RCF-RP0825	1 BSPP	25		RCF-E0825	
RCF-RP1210	1.1/2 BSPP	10		RCF-E1210	
RCF-RP1225	1.1/2 BSPP	25		RCF-E1225	
RCF-RC2010	2.1/2 CD61	10		RCF-E2010	
RCF-RC2025	2.1/2 CD61	25		RCF-E2025	
RCF - S SERIES - 0,2 BAR BYPASS VALVE (SUCTION LINE APPLICATIONS)					
RCF-SP06149	3/4 BSPP	149		RCF-E06149	
RCF-SP08149	1 BSPP	149		RCF-E08149	
RCF-SP12149	1.1/2 BSPP	149		RCF-E12149	
RCF-SC20149	2.1/2 CD61	149		RCF-E20149	

ACCESSORIES

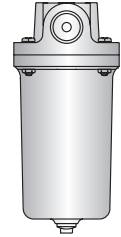
HEAVY DUTY IN-LINE FILTERS

HEAVY DUTY FILTERS

RHF SERIES

RHF - R SERIES

COMPLETE FILTER	PORT	NOMINAL FILTRATION	REPLACEMENT ELEMENT
PART NO		MICRON	PART NO
RHF-R050410	1/2	10	RHF-E0510
RHF-R050425	1/2	25	RHF-E0525
RHF-R100610	3/4	10	RHF-E1010
RHF-R100625	3/4	25	RHF-E1025
RHF-R100810	1	10	RHF-E1010
RHF-R100825	1	25	RHF-E1025
RHF-R201010	1.1/4	10	RHF-E2010
RHF-R201025	1.1/4	25	RHF-E2025
RHF-R201210	1.1/2	10	RHF-E2010
RHF-R201225	1.1/2	25	RHF-E2025



RHF - S SERIES

0,2 BAR BYPASS VALVE (SUCTION LINE APPLICATIONS)

COMPLETE FILTER	PORT	NOMINAL FILTRATION	REPLACEMENT ELEMENT
PART NO		MICRON	PART NO
RHF-S0504149	1/2	149	RHF-E05149
RHF-S1006149	3/4	149	RHF-E10149
RHF-S1008149	1	149	RHF-E10149
RHF-S2010149	1.1/4	149	RHF-E20149
RHF-S2012149	1.1/2	149	RHF-E20149

BYPASS VALVE KIT

COMPLETE FILTER	PORT
RHF-SBPV05	0,2 BAR SUCTION BYPASS VALVE KIT
RHF-SBPV10	0,2 BAR SUCTION BYPASS VALVE KIT
RHF-SBPV20	0,2 BAR SUCTION BYPASS VALVE KIT
RHF-BBPV05	BLOCKED BYPASS VALVE KIT
RHF-BBPV10	BLOCKED BYPASS VALVE KIT
RHF-BBPV20	BLOCKED BYPASS VALVE KIT

CLOGGING INDICATORS, STRAINERS AND DIFFUSERS

CLOGGING INDICATORS - VISUAL

PART NO	DESCRIPTION	
RGR-40	40MM DIAMETER GAUGE FOR RETURN LINE APPLICATION	
RGS-40	40MM DIAMETER GAUGE FOR SUCTION LINE APPLICATION	
RGS02-50	50MM DIAMETER STAINLESS STEEL LIQUID FILLED GAUGE FOR SUCTION LINE APPLICATION**	

Note: **Requires use of S72N-0202 with RIF-SH10 filter heads

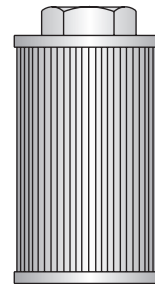
CLOGGING INDICATORS - ELECTRICAL

PART NO	DESCRIPTION	
REIR	ELECTRIC MICROSWITCH FOR RETURN LINE APPLICATION	
REIS	ELECTRIC MICROSWITCH FOR SUCTION LINE APPLICATION	

SUCTION STRAINERS

RSCN SERIES

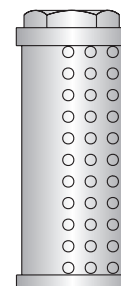
PART NO.	NOMINAL FLOW		PORT
	LPM	BSPP	
RSCN-01202	12	1/4	
RSCN-01203	12	3/8	
RSCN-02004	20	1/2	
RSCN-02806	28	3/4	
RSCN-04008	40	1	
RSCN-06010	60	1.1/4	
RSCN-08012	80	1.1/2	
RSCN-12012	120	1.1/2	
RSCN-16016	160	2	
RSCN-20016	200	2	
RSCN-30020	300	2.1/2	
RSCN-40024	400	3	
RSCN-60024	600	3	



DIFFUSERS

RD SERIES

PART NO.	NOMINAL FLOW	
	PORT	LPM
RD-06	3/4	100
RD-08	1	160
RD-10	1.1/4	240
RD-12	1.1/2	320
RD-16	2	480



ACCESSORIES

LEVEL GAUGES AND AIR BREATHERS

LEVEL GAUGES

RLG & RLGT SERIES

BOLT CENTRE		RLG SERIES	RLGT SERIES
mm	inch	PART NO	PART NO
76	3	RLG-03	RLGT-03
127	5	RLG-05	RLGT-05
254	10	RLG-10	RLGT-10

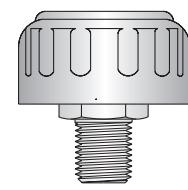


RLGT

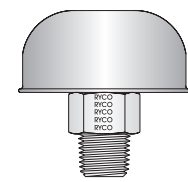
AIR BREATHER FILTERS

R60 & R300 SERIES

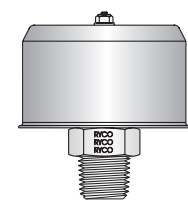
PART NO.	THREAD	NOMINAL FILTRATION	REPLACEMENT ELEMENTS	
			PART NO.	
		MICRON		
R350-0210	1/4 BSPP	10		
R350-0240	1/4 BSPP	40		
R350-0610	3/4 BSPP	10		
R350-0640	3/4 BSPP	40		
R355-0240	1/4 BSPP	40		
R355-0610	3/4 BSPP	10		
R355-0640	3/4 BSPP	40		
R64	1/4 BSPT	149		
R62	3/8 BSPT	149		
R61	1/2 BSPT	149		
R60	3/4 BSPT	149		
R67	3/4 UNO	149		
R362-12	3/4 BSPT	27		A245-CART
R362-16	1 BSPT	27		A245-CART
R356-12	3/4 BSPT	27		A5-CART
R356-16	1 BSPT	27		A5-CART
R356-20	1.1/4 BSPT	27		A5-CART
R356-24	1.1/2 BSPT	27		A5-CART
R356-32	2 BSPT	27		A5-CART
R358-40	2.1/2 BSPP	10		E358-40



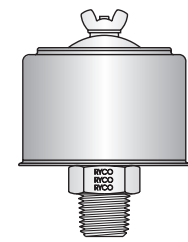
R350
R355



R60



R362



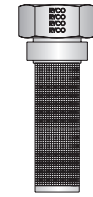
R356

STRAINERS AND AIR BREATHERS

R365

FILLER STRAINER

PART NO	DESCRIPTION
R365	FILLER/STRAINER

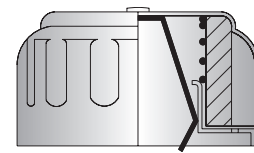


R365

R381

PUSH-ON BREATHER

PART NO	SUITS TUBE OD	NOMINAL FILTRATION
	mm	MICRON
R381-40	38	40

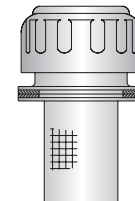


R381

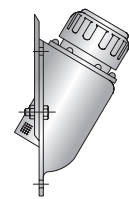
FILLER CAP/STRAINER/AIR BREATHER

RFSB SERIES

PART NO	NOMINAL FILTRATION
	MICRON
RFSB-0510	10
RFSB-0540	40
RFSB-2510	10
RFSB-2540	40
RFSB-2510P	10
RFSB-2540P	40
RFSB-2510BM	10
RFSB-2540BM	40



RFSB



RFSB-25-BM

RYCO THREAD ID KIT PAGE

PART NO	DESCRIPTION
RYCO-MKT0250	THREAD ID KIT DIGITAL VERNIER
RYCO-MKT0250D	THREAD ID KIT DIAL VERNIER



RYCO-MKT0250

ACCESSORIES

CONTAINER PROGRAM

RYCO 24.7 CONTAINER PROGRAM

ONSITE HOSE CONTAINER



Increase productivity and profitability



Extensive training & support



Ensures minimal downtime



Set-up to suit specific site requirements



Onsite container workshop and inventory storage



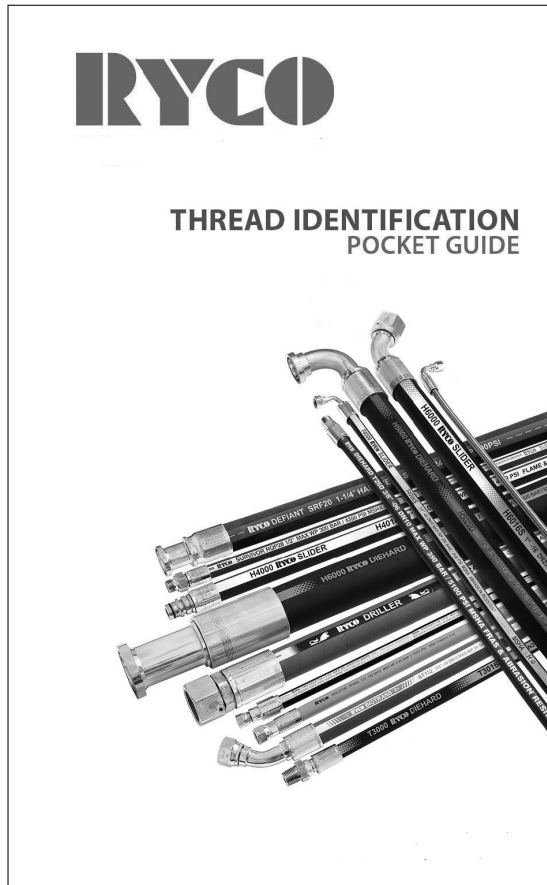
Ideal for remote locations, fully relocatable

As part of the ongoing focus on customer service, RYCO 24.7 has developed a new range of onsite hose assembly workshops and product storage containers. The RYCO 24.7 containers are an ideal solution for remote mining locations, construction sites, offshore and large manufacturing sites.



THREAD ID KIT

POCKET GUIDE & IDENTIFICATION KIT



THREAD ID KIT Contains:

- Thread identification booklet
- Vernier caliper (digital or dial)
- Metric thread gauge
- Imperial thread gauge
- Pitch gauge
- 15 cm / 6 inch ruler



IDENTIFYING THREADS >>

1 EXAMINE
What is the sealing method? Is it used in a port? Is it used with a hose coupling or connector?

4 CHECK THE TABLE
Look for the closest match in the table. Ensure that you are reading the dimension from the correct column.

2 COMPARE
Look through the pictorial index (Pages 7 to 11) for the most likely connector type. Start by identifying the sealing method and checking that section of the index.

5 CONFIRM THE PITCH
Once the nearest match is established, you can confirm your selection is correct by checking that the pitch is the same as that listed in the chart. If it is not the expected pitch, go back to step 2 and choose the next similar connector.

3 MEASURE
Measure the thread or other diameter as indicated in the illustration. **TIP:** Male threads are always easier to measure than female threads.

6 CONFIRM THE SEAT
You can also confirm your selection by measuring the angle of any seating surface. The gauge will be parallel to the connector axis when correct.

BSPP SOFT SEAL >>

QUICK ID
Sealing method: Soft seal at shoulder or 30° cone seat
Thread form: 55°
Thread standard: Whitworth ISO 228-1 ISO 227/1 AS 1722-2
TSP: 180° 170° 150° 430/1 110° 80° 300° 403
BSPP BRITISH STANDARD PIPE PARALLEL

BSPP threads are used as both general adaptors and as port adaptors. Soft sealing is usually required for port use. BS5200:1997 allows for two seating forms on the face of the female, Type C is conical and Type S is spherical.

BSPP THREAD SIZE & PITCH	DASH SIZE	BSPP MALE THREAD DC	BSPP FEMALE THREAD OD
1/8 - 28	-02	9.6	0.38 8.6 0.34
1/4 - 19	-04	13.0	0.51 11.9 0.47
3/8 - 19	-06	16.5	0.65 15.2 0.60
1/2 - 14	-08	20.8	0.82 19.1 0.75
3/4 - 14	-10	27.8	1.00 25.6 0.92
1 - 11	-12	36.3	1.04 24.6 0.97
1 1/4 - 11	-16	47.5	1.30 35.7 1.21
1 1/2 - 11	-20	47.8	1.64 39.4 1.55
1 3/4 - 11	-24	57.7	1.98 45.5 1.79
2 - 11	-32	59.5	2.34 57.4 2.26
2 1/2 - 11	-40	75.1	2.95 72.6 2.86
3 - 11	-48	87.6	3.46 85.4 3.35

BSPP FOR USE WITH O RING AND STEEL RETAINING RING
DIN 3852-2
The thread run out is square to the shoulder.

BSPP FORM A METAL BONDED SEAL
DIN 3852-2
The conical washer is held concentric to the thread by a shoulder cone.

BSPP FORM B CUTTING SEAT
DIN 3852-2 ISO 1179-4
The sealing face cuts into the seat. No soft sealing is used.

BSPP FORM E ENCAPULATED SEAL
DIN 3852-2 ISO 1179-2
Grooved shoulder to suit DIN 3869 seal.

BSPP TYPE C O RING SEAL
BS5200:1997
Female seating face incorporates an O ring groove for soft sealing.

The RYCO Know How Thread ID Kit is to assist with identification of hydraulic threads and connectors. Correct identification is of vital importance, as the incorrect application of high pressure connectors presents an immediate safety risk.

Selection of hydraulic connectors can be complex due to the large array of thread types that are commonly available. While some people become conversant with hydraulic connector standards through experience, others can become confused by the similarity between connector types.