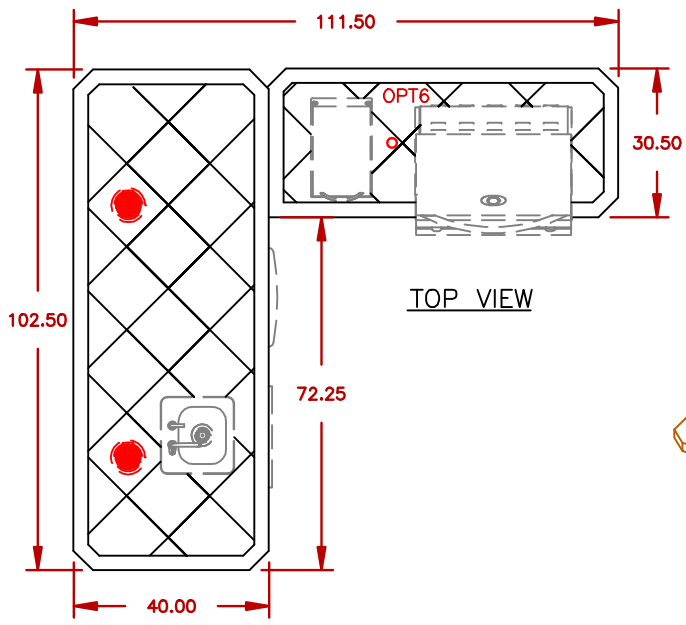
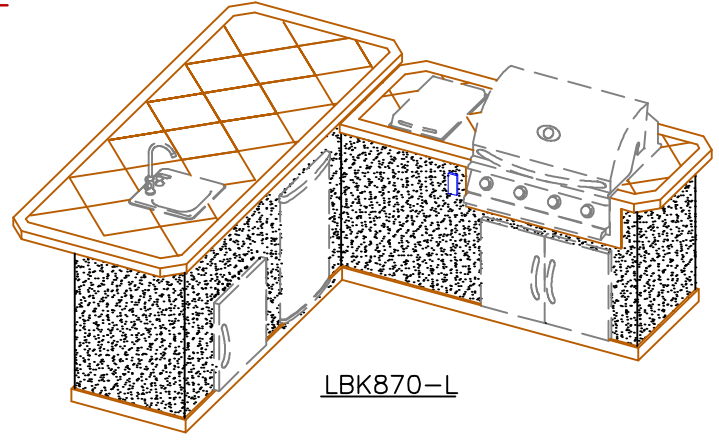


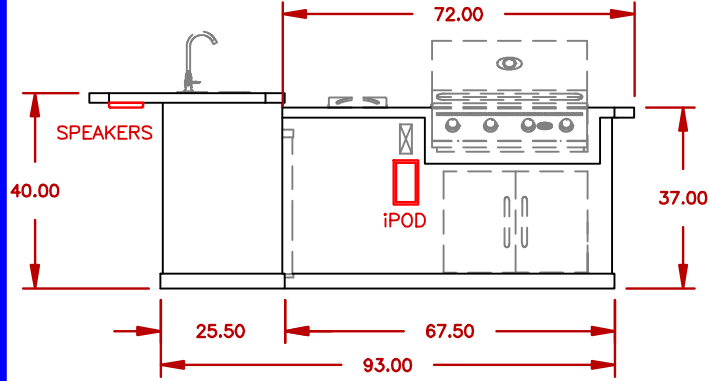
LINE	BBQ LINE
MODEL	LBK870
REF.	



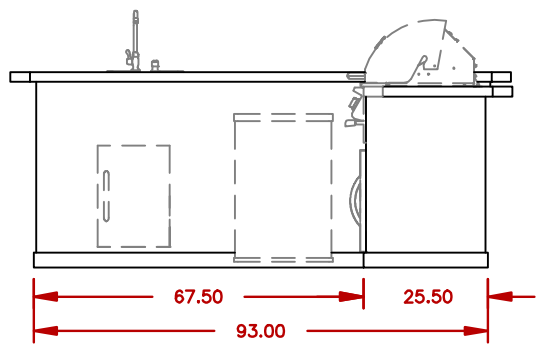
TOP VIEW



LBK870-L



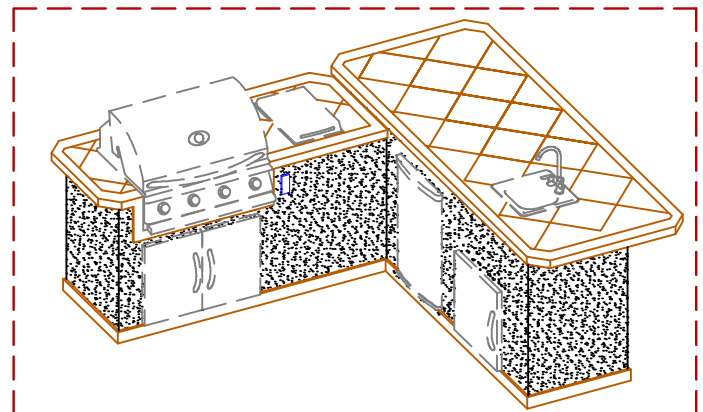
FRONT VIEW



SIDE VIEW

OPTIONS		
SYMB.	DESCRIPTION	OPT#
OPT1	NATURAL STONE TILE 12X12	SEE COLOR CHART
OPT2	CULTURE STONE	SEE COLOR CHART
OPT3	LED LIGHTING	OPTQ830A
OPT4	UNDERCOUNTER LIGHTS	OPTQ820L
OPT5	iPOD STATION W/ [2] SPEAKERS	OPTQ107
OPT6	UMBRELLA HOLE ONLY	OPTQ837

STANDARD FEATURES		
QTY.	SYMB.	DESCRIPTION
-	(A)	PORCELAIN TILE 12 X 12 (FIELD) (BORDER)
-	(B)	AMERISTONE STUCCO
-	(C)	3" BOTTOM TRIM (TILE ONLY)
1	(D)	4 BURNER P4 LP
1	(E)	STD. SIDE BURNER BURNER LP
1	(F)	OUTDOOR ELECTRICAL
1	(G)	30" DOUBLE ACCESS DOOR
1	(H)	18" SINGLE ACCESS DOOR
1	(I)	SST STEEL SINK W/ FAUCET & SOAP DISPENSER
1	(J)	SST REFRIGERATOR



LBK870-R

NOTE:  
DUE TO OUR CONTINUOUS IMPROVEMENT PROGRAM, ALL MODELS  
AND SPECIFICATIONS ARE SUBJECT TO CHANGE WITHOUT NOTICE.

	<b>TITLE</b> 2019 BARBECUE LINE LBK SERIES LBK870	
	<b>SCALE:</b> 	<b>DWG NO.</b> 
<b>REVISED</b> 	<b>REV. DESCR.</b> 	<b>DATE</b> 11/9/18