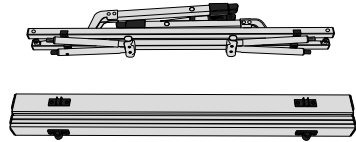
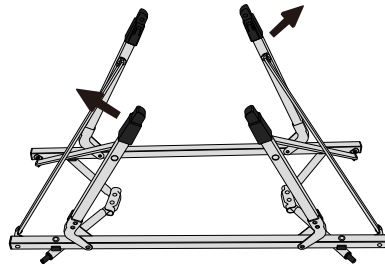


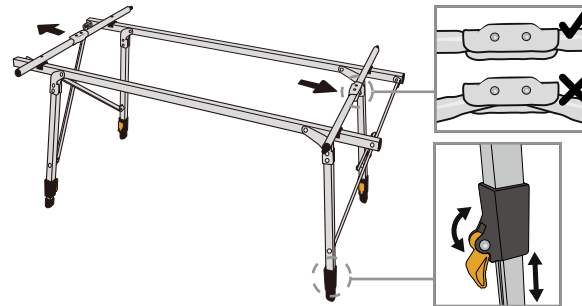
To Unfold:



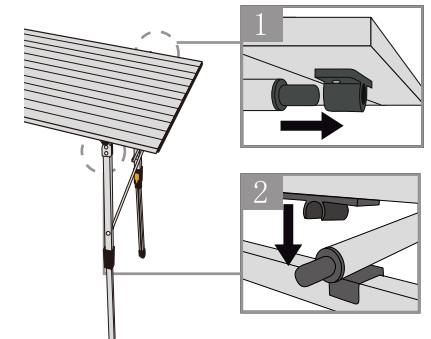
1 Remove the table top and frame from the carry bag.



2 Place the frame facedown on the floor, Pull the four legs outwards and facing up until fully extended.



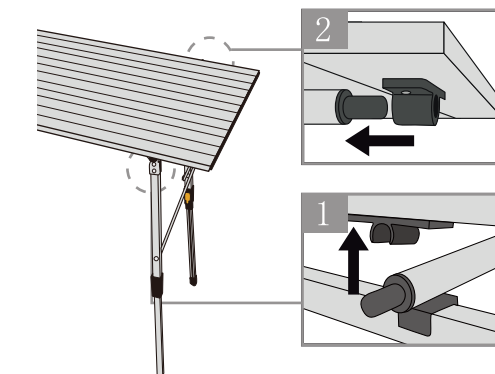
3 Flip the table up and adjust the height using the yellow level. Make sure to lock in place when reached a desired balance.



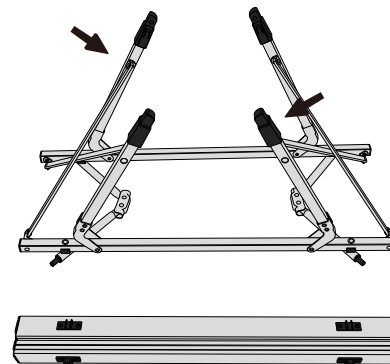
4 Slide in the tabletop at one end and press down the other end to click into place.

*A separate mesh shelf is included.

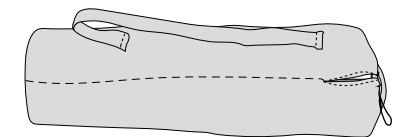
To fold:



1 Pull up the table top at one end and slid out at the other end.



2 Fold the table top into one pack. Flip the table frame and push down the four legs and close the side.



3 Place each part into a separate chamber in the carry bag, to avoid scratch during transportation.

DESIGNED, BUILT AND TESTED
IN THE WILD,
FOR THE WILD.

Warranty

Your Portal table is covered by a 12-month quality warranty.

Questions? Talk to Us

Email : Info@portaloutdoors.com
www.portaloutdoors.com

@PortalOutdoorsGear
 @portaloutdoorsgear

Safety Tips

- Do NOT sit, step or stand on this table.
- This table is intended for dining purposes only.