

**INSTRUCTION MANUAL**  
**8 Person Family Cabin Tent**

60254

# TABLE OF CONTENTS

Warnings	2
Parts List	3
Assembly Instructions	4-5
Care and Maintenance	6
Warranty Information	7

## PLEASE READ CAREFULLY

### NOTE

Before beginning assembly of product, make sure all parts are present. Compare parts with package content list and hardware contents. If any part is missing or damaged do not attempt to assemble the unit. Contact customer service for replacement parts.

# WARNINGS

## IMPORTANT SAFETY INFORMATION

TO MAXIMIZE YOUR ENJOYMENT OF OUR PRODUCT, PLEASE USE CAUTION DURING ASSEMBLY AND USE.

THE PURPOSE OF THIS ALERT SYMBOL ⚠ IS TO CALL YOUR ATTENTION TO AVOID POSSIBLE HAZARDS RELATING TO USE AND ASSEMBLY.

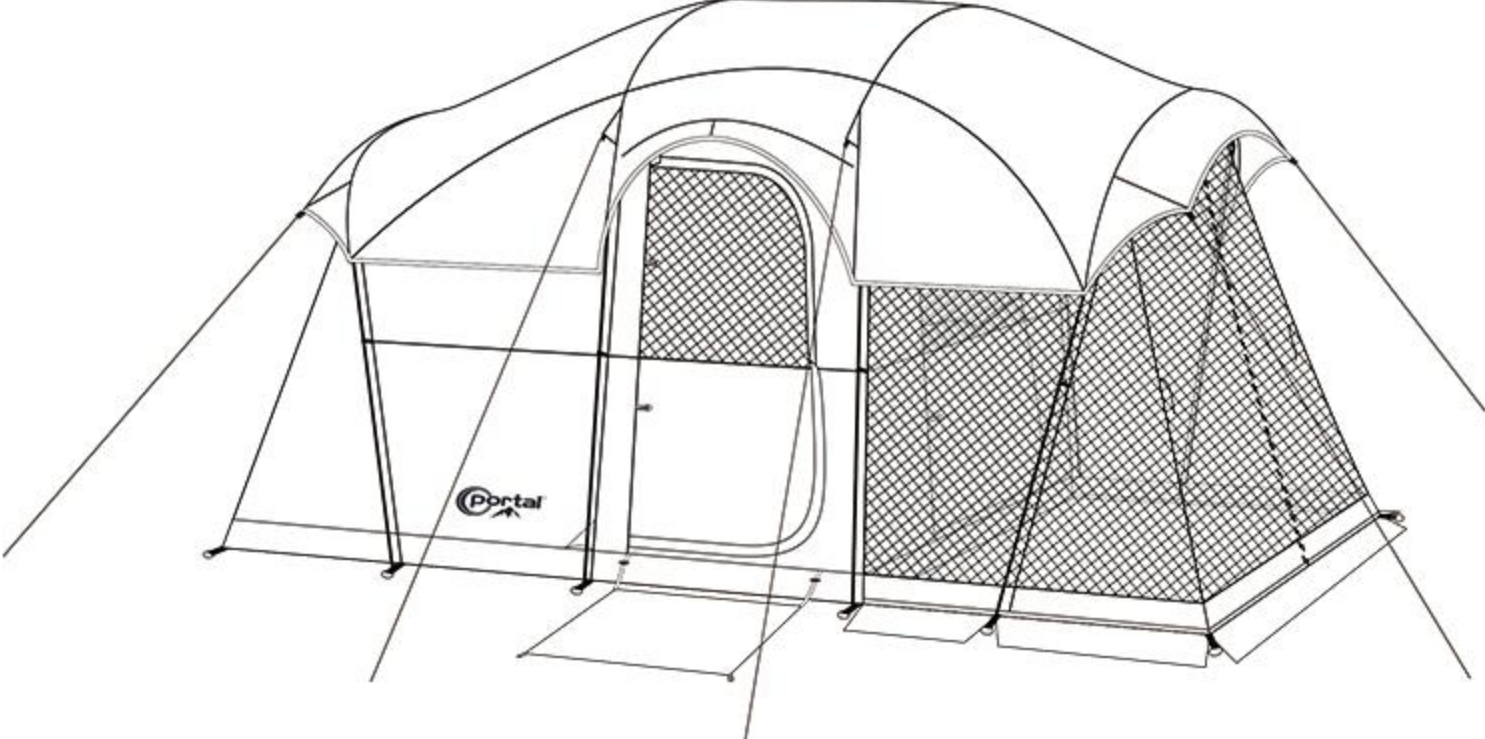
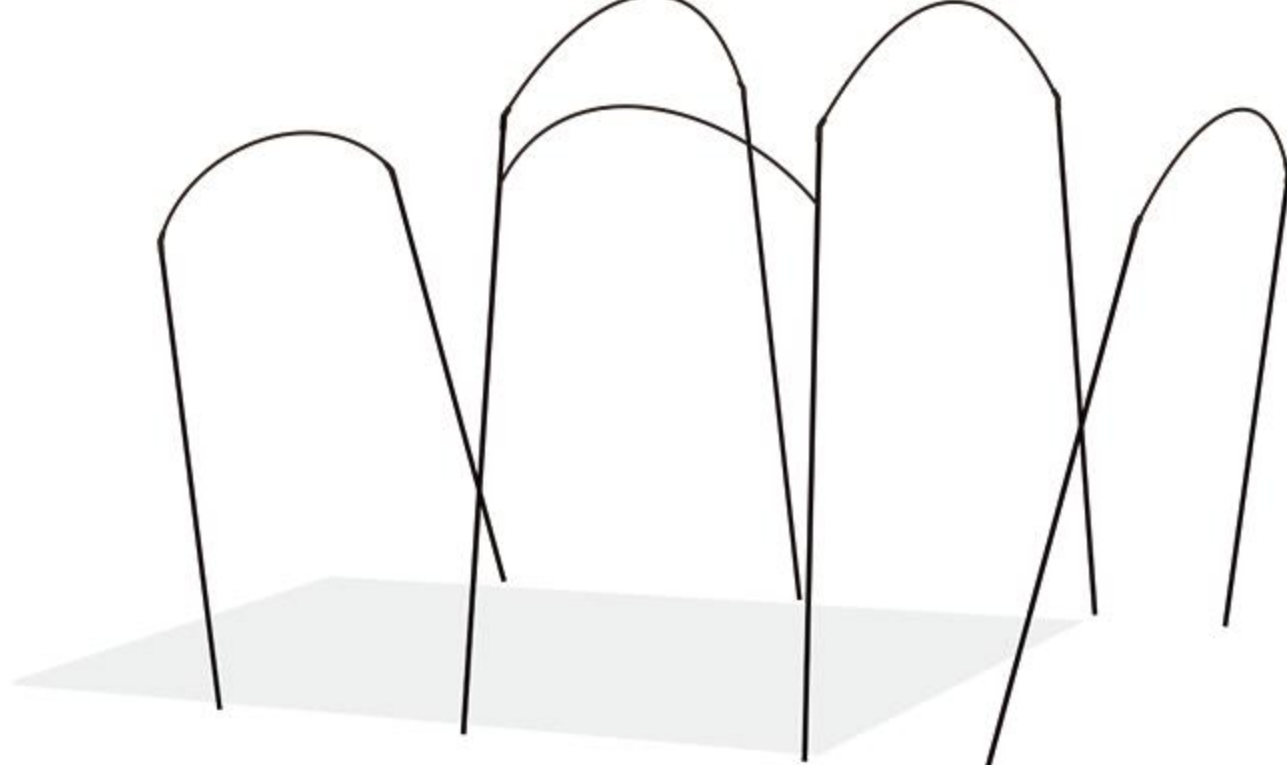

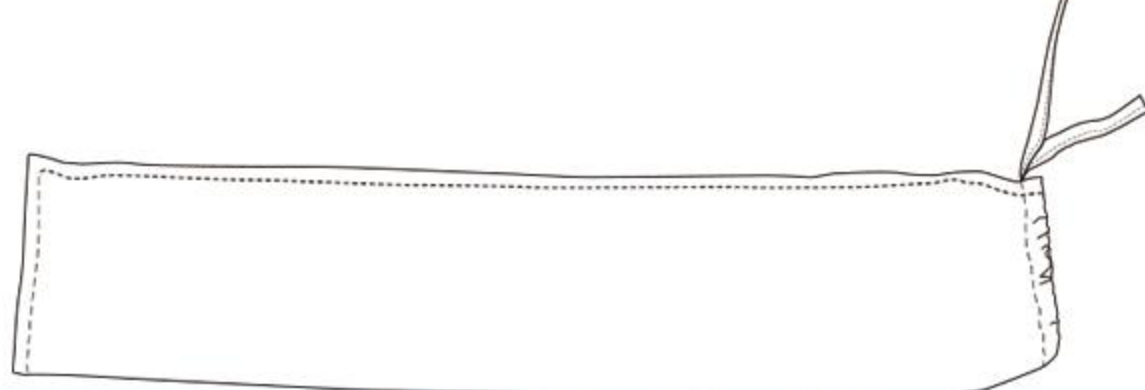
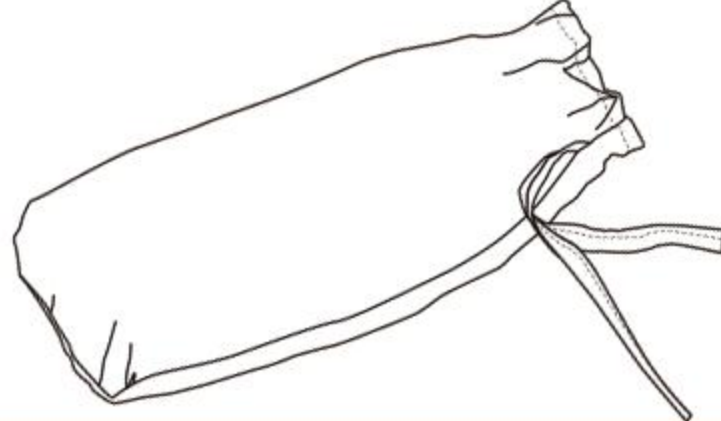


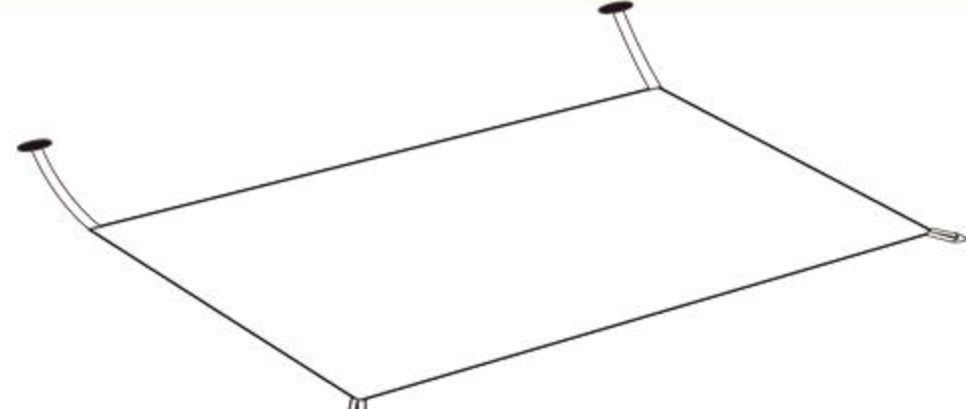
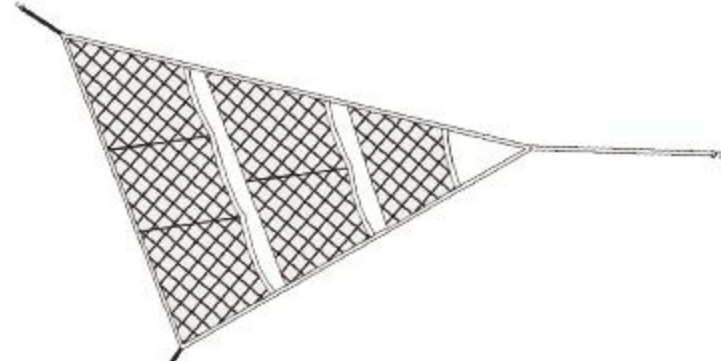
THE PURPOSE OF THIS TIP SYMBOL 🖱 IS TO POINT OUT TIPS AND SUGGESTIONS THAT WILL ASSIST YOU IN ASSEMBLY AND DISASSEMBLY PROCESS.



## WARNING

- **KEEP ALL FLAME AND HEAT SOURCES AWAY FROM THIS TENT FABRIC.** Although this tent is made of flame resistant fabric which meets CPAI-84 specifications, this fabric is not fireproof! If left in continuous contact with a flame source, the fabric will be damaged or possibly burnt. Application of any foreign substance to the tent fabric may render the flame resistant properties ineffective.
- Never use any fuel burning, oxygen consuming devices, or any device that produces fumes (including, but not limited to cooking stoves, lanterns, candles, hibachis, or heaters) in or around your product. Inhalation of fumes may result in carbon monoxide poisoning, in jury or death.
- Your product is water repellent, however, during heavy rain some leakage may occur. Keep objects from touching the inside, as objects may cause leakage at the point of contact.
- To prevent seam leakage (floor seams in particular), a seam sealer compound must be applied to the seams. Use recommended water repellent compounds on our product. Read the label on any product before using.
- Our recreational products are constructed to rigid specifications. They are not made, however, for extreme weather, climates, or environments. Modification, abuse and extreme weather are conditions that may adversely affect the structural integrity of the tent.
- Additional precautions may be necessary during inclement or unexpected weather conditions. Here are some tips that may help during these times.
  - 🖱 Use guy lines to help secure your structure during periods of heavy winds.
  - 🖱 Storms or steady rains may cause water to collect in pockets on the roof. This will add weight, which can weaken the overall structure, causing the tent to collapse. Maintain a watchful eye and remove any water accumulation that may occur.

# PARTS LIST

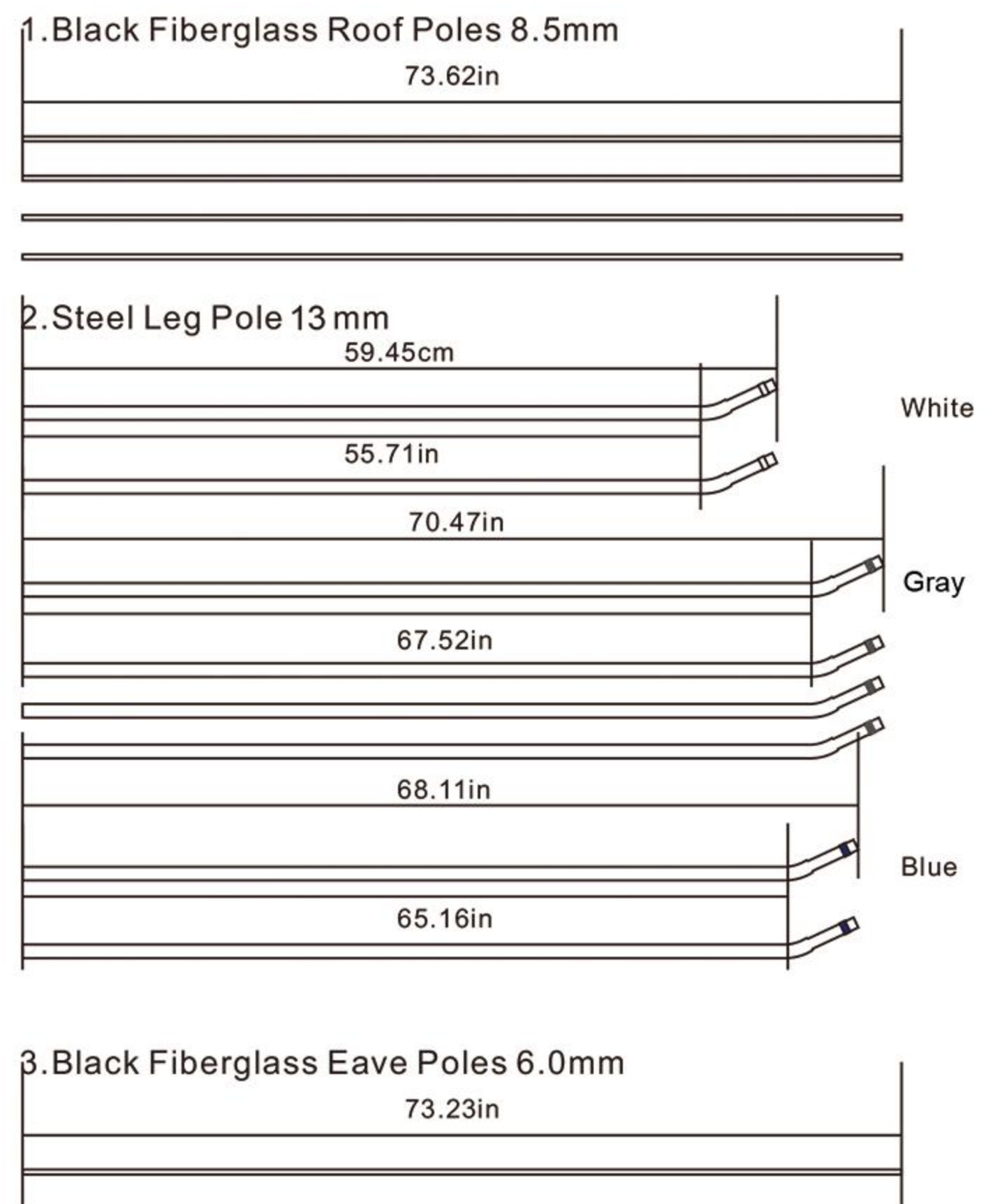
Part	Image	Qty	
A	Tunnel Tent Body and Separate Tent Rainfly		1
B	Fiberglass Pole & Steel Pole set		1
C	Carry bag		1
D	Pole Bag		1
E	Stake bag		1
F	Guy rope		8
G	Steel stake		23
H	Detachable mud mat		1
I	Tablet Entertainment Pocket		2

# ASSEMBLY INSTRUCTIONS

**Tip: Do this at home prior to your first use of the product.**

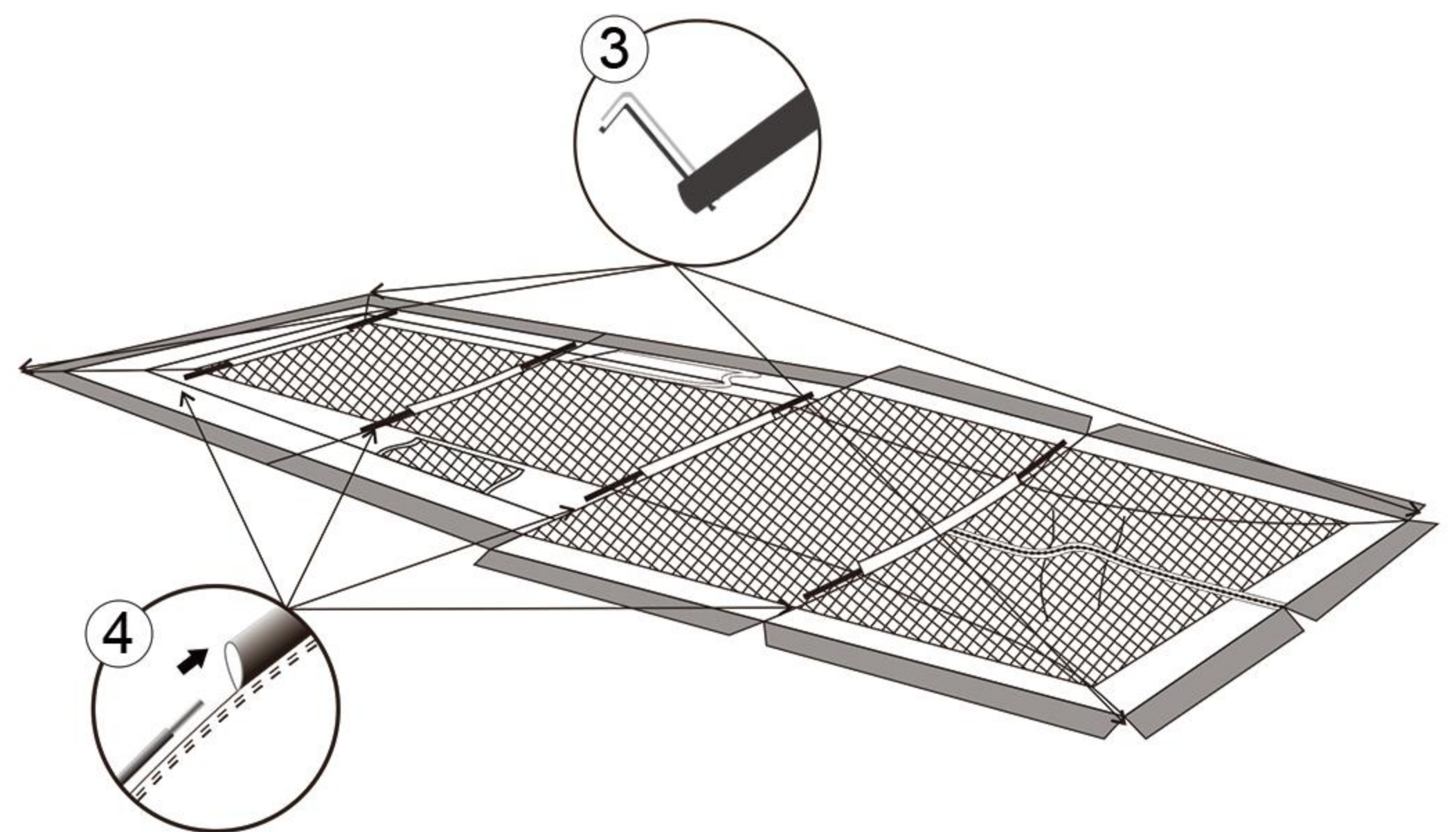
## STEP 1:

1. Verify package contents listed on Page 3 by emptying contents of bag(s) and confirming all parts are undamaged.
2. Remove tent and poles from carry bag. Extend all poles and sort into groups based on color tape (white/gray/blue) and by pole type (steel leg poles, fiberglass roof poles).

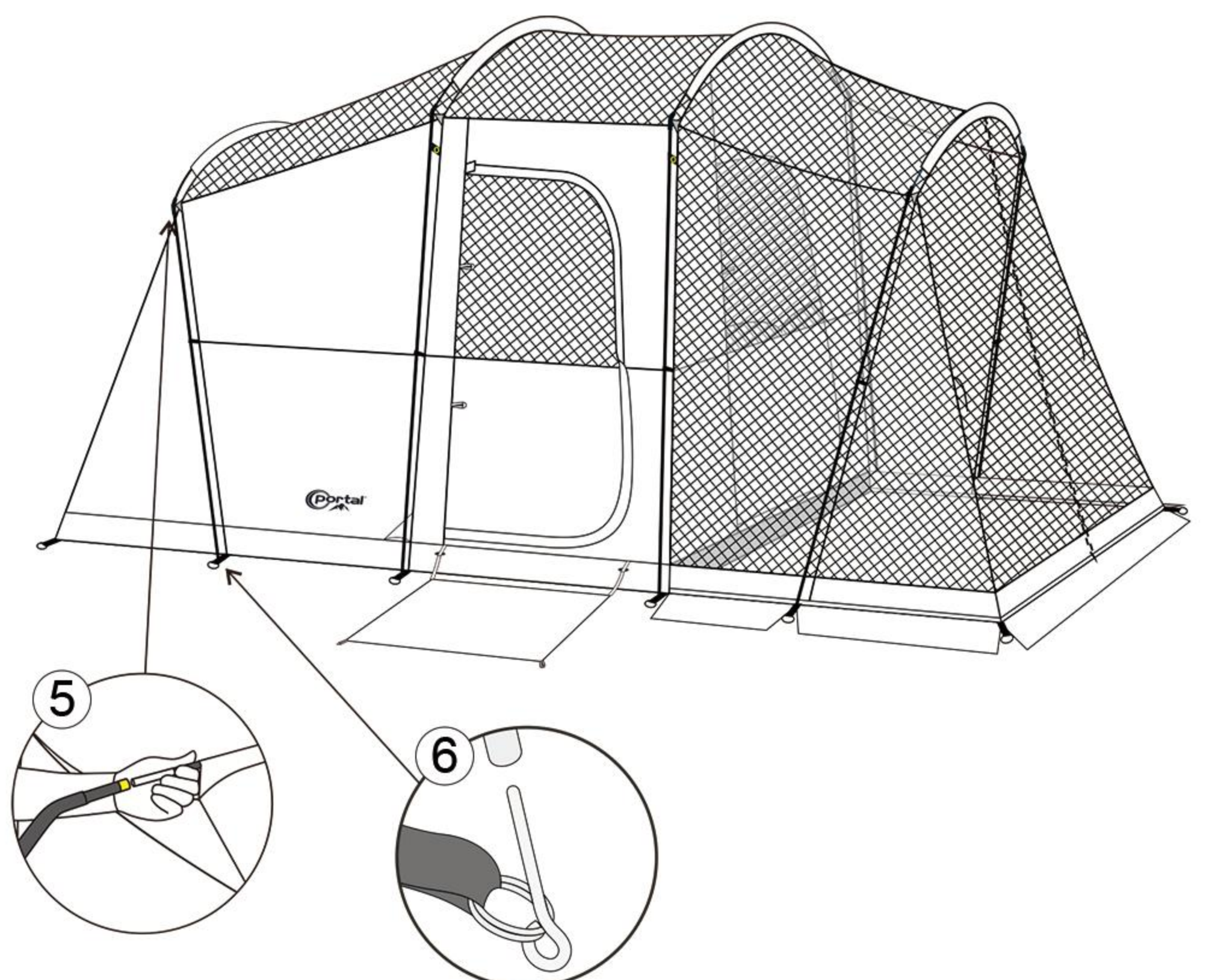


## STEP 2:

3. Select a smooth, level site and spread out the tent body. Place tent body in the correct orientation on the camp site and secure the main four corners of the tent into the ground using the included tent stakes. Place stakes into rope loops and hammer them into the ground.
4. Begin set up on the roof first. Slide one of the four black fiberglass roof poles through each of the pole sleeves located on roof of tent.
5. Starting at the end of the tent, begin attaching the leg poles to the roof poles. Insert the end of each fiberglass roof pole into its' color coded steel leg pole.
6. Once the roof pole is attached, place the pin with color coded indicator located at the base of the tent into the other end of the steel pole.  
REPEAT PROCESS FOR REMAINING POLES



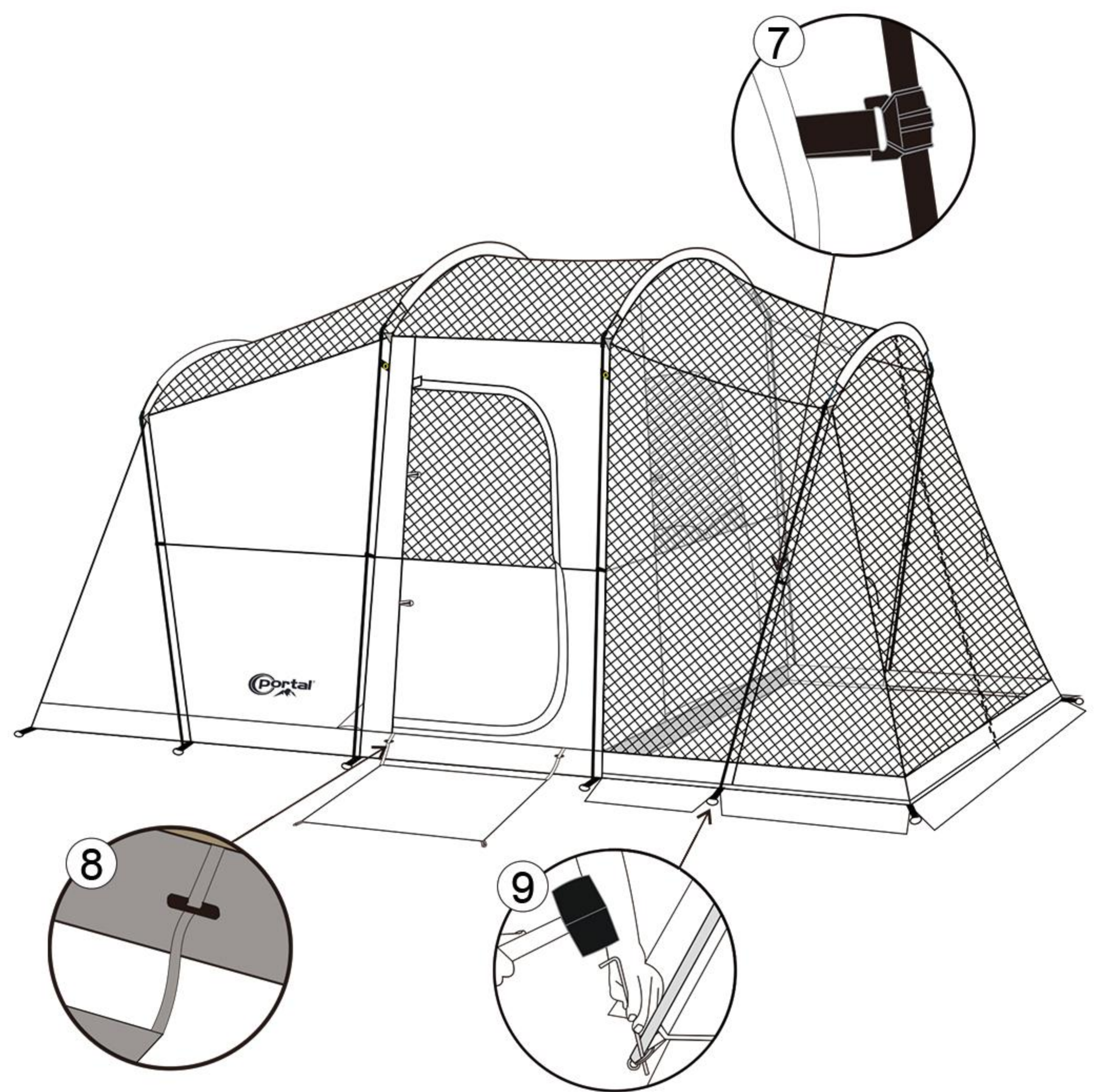
**\*\*Assemble starting from back to front**



# ASSEMBLY INSTRUCTIONS

## STEP 3:

7. Attach all G hooks to the leg poles to secure and shape the tent.
8. Attach the included mud mat (Part H) to tent with the toggles.
9. Making sure the base of the tent is fully spread out, pull the floor tight and stake out the rest of the tent.

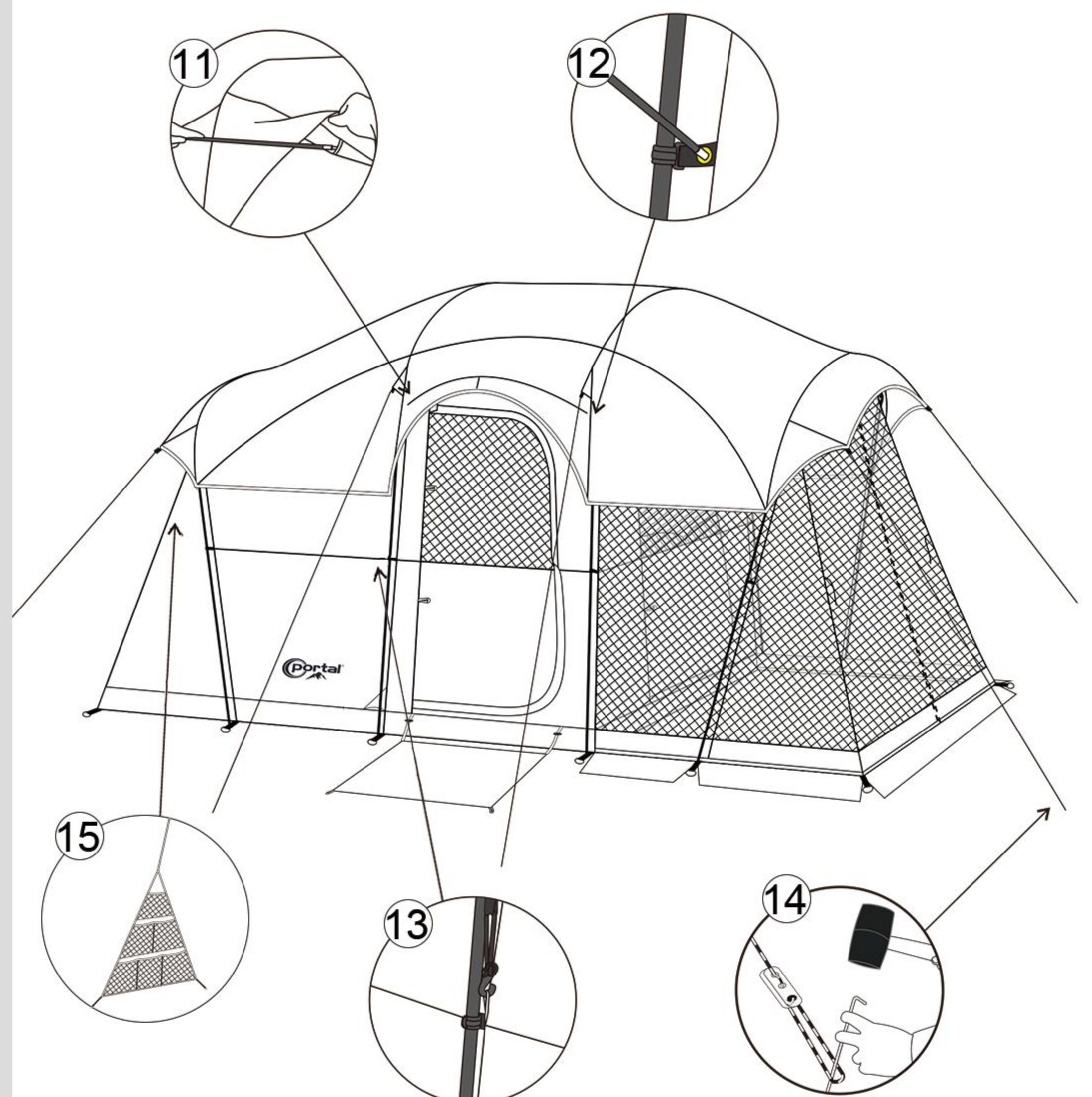


## STEP 4:

10. Lay out rain fly, place the rain fly over the top of tent body.
11. Push the awning pole through the sleeve of rain fly on top of the side door.
12. Insert the ends of awning pole into the grommets sewn onto the webbing of tent.
13. Attach S hooks on rain fly to the tent.
14. Stake out guy lines (Part F) away from the tent with lines at roughly a 45° angle to the ground. Adjust using the plastic sliders.

### \*\*INCLUDED TABLET ENTERTAINMENT POCKET

15. The tablet entertainment pocket (Part I) can be hung on the interior of the tent by fabric loops across the back or side of the tent. Place the adjustable toggles through the fabric loops and adjust the length of the line as needed to fit the space.



# CARE AND MAINTENANCE

This product must be stored dry. One of the easiest ways to damage your product is storing it while it is wet. Storing a wet tent as briefly as 24 hours in warm weather is likely to cause mildew on the fabric coatings.

If you must close camp in the rain, open your product and set it up to allow it to dry as soon as possible. Allow dirt to dry on the fabric after a rainfall before lightly sweeping it off with a brush. For tougher stains, spray the area with water and lightly wipe it off with a few strokes. Do not use washer or dryer. **DO NOT SCRUB THE FABRIC. ALWAYS MAKE SURE TENT IS COMPLETELY DRY BEFORE REPACKING.**

Do not leave your tent set up for weeks at a time. Exposure to ultraviolet rays from the sun can damage and/or discolor the material.

Clean the poles with a cloth and lubricate them with a silicone spray to help prevent corrosion and keep from becoming gritty. This is especially important after using the tent around salt water.

Store the stakes in a separate storage bag. Do not pack the stakes inside the tent.

## IMPORTANT NOTES BEFORE YOU BEGIN

- Assemble your tent before camping to become familiar with the assembly.
- Setup is possible for one person, however two people are recommended.
- Select a clean, level area for the campsite free of debris and sharp objects, and away from a natural watercourse.
- Use of a ground cloth is recommended to prolong the life of the tent floor and provide additional insulation and moisture protection.
- To prevent damage to the zippers, unzip the doors and windows of the tent prior to disassembly, allowing air to move freely.
- Seam sealing the inside stitched seams of the tent is recommended. This will improve weather resistance. Discoloration may occur if applied to outside seams. (Seam sealer not included).

# WARRANTY INFORMATION

This product has been manufactured under the highest standards of quality and workmanship. We warrant to the original consumer purchaser that all aspects of this product will be free of defects in material and workmanship for one year from the date of purchase. A replacement for any defective part will be supplied free of charge for installation by the consumer. Defects or damage caused by the use of other than genuine parts are not covered by this warranty. This warranty shall be effective from the date of purchase as shown in the purchaser receipt.

This warranty is valid for the original consumer purchaser only and excludes industrial, commercial or business use of the product, product damage due to shipment or failure which results from alteration, product abuse, or product misuse, whether performed by a contractor, service company or consumer. We will not be responsible for labor charges and/or damage incurred in installation, repair or replacement nor for incidental or consequential damage.

## PLEASE KEEP THIS INSTRUCTION MANUAL FOR FUTURE REFERENCE

For more information, please refer to:

 Website: [www.PortalOutdoors.com](http://www.PortalOutdoors.com)

 Email: [info@portaloutdoors.com](mailto:info@portaloutdoors.com)

 @PortalOutdoorsGear

 @portaloutdoorsusa