



## SJ86 T TELESCOPIC BOOM

### STANDARD FEATURES

- EASYDRIVE™ Direction sensing drive and steer controls
- SKYCODED™ Colour coded and numbered wiring system
- Axle based 4WD
- Operator controlled locking rear differential and limited slip front differential
- Oscillating axle
- 45% Gradeability
- Drivable at full height
- Stage V Deutz TCD2.2L diesel engine
- Wet disc SAHR brakes (front and rear axle)
- Relay based control system
- Proportional controls
- Secondary guarding electrical (SGE)
- Overload sensing system
- Tilt alarm with drive cut-out
- Dual capacity rating
- 0.91 x 1.83 m Platform
- Modular platform railing system
- Lanyard attachment points
- Tri-entry sliding mid-rail
- Wiring for AC outlet on platform
- Swing out engine tray
- Swing up cowlings
- Operator horn
- Hourmeter
- 360° Continuous turret rotation
- Tie down/lifting lugs
- 18 x 625 Grip lug foam filled tires

### ACCESSORIES AND OPTIONS

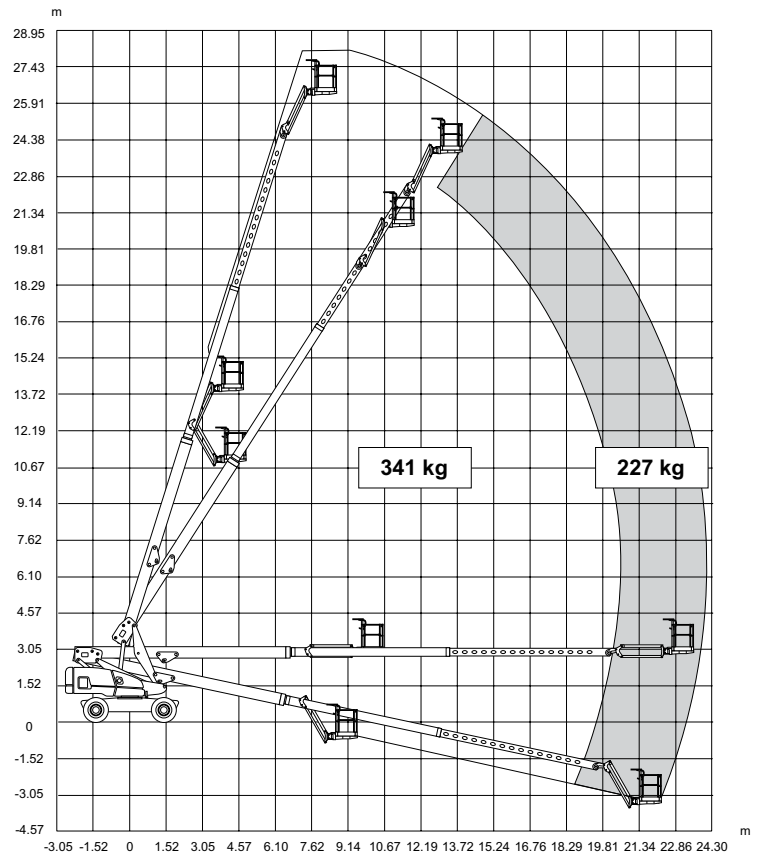
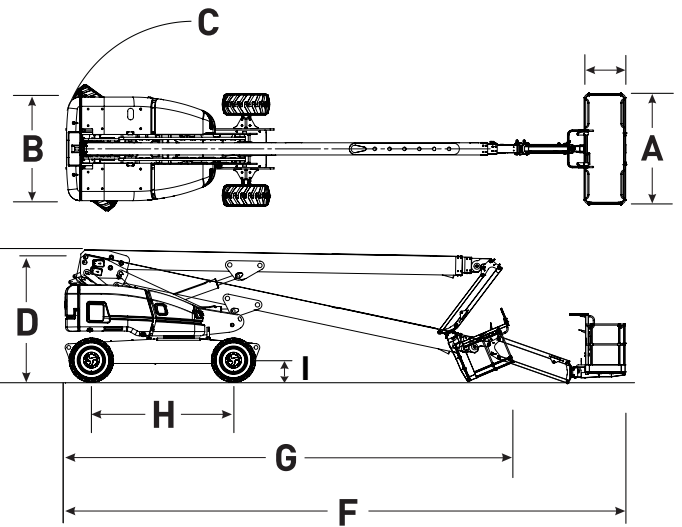
- Glazier kit
- Pipe rack
- Tool caddy
- Deutz D2011L04i Diesel engine (export only)
- Platform work lights
- Flashing light
- All motion alarm
- 0.91 x 2.44 m Platform
- Rear Gate
- Control box cover
- Auxiliary top rail (0.91 x 2.44 m platform only)
- 3.5 kW Generator (Includes hydraulic oil cooler)
- Hydraulic oil cooler
- Bio oil
- 1/2" Airline to platform
- Hostile environment package (Includes cylinder bellows, boom wipers, covers for the fly boom cutouts, and control box cover)
- Control box cover
- Lifting lugs
- 18 x 625 Grip lug foam-filled non-marking tyres
- ELEVATE telematics

† Standard lead times may be increased when optional equipment is added, consult factory.

‡ Capacities, and machine weights may differ when options are added.

# SJ86 T TELESCOPIC BOOM

Dimensions	SJ86T
Work Height	28.21 m
Platform Height	26.21 m
Horizontal Reach	23.42 m
Working Reach	24.07 m
<b>A</b> Platform Size	0.91 x 1.83 m
<b>B</b> Stowed Width	2.49 m
<b>C</b> Tailswing	1.42 m
<b>D</b> Stowed Height	3.00 m
<b>E</b> Transportation Height	3.13 m
<b>F</b> Stowed Length	12.95 m
<b>G</b> Transportation Length	10.59 m
<b>H</b> Wheelbase	3.35 m
<b>I</b> Ground Clearance	0.41 m
Specifications	SJ86T
Rotation	360°
Platform Rotation	170°
Jib Length	1.68 m
Jib Range +/-	+65° / -60°
Weight	17,550 kg
Gradeability	45%
Turning Radius (Inside)	3.51 m
Turning Radius (Outside)	6.40 m
Axle Oscillation	10.16 cm
Drive Speed (High speed)	4.8 km/h
Capacity	227 kg / 341 kg
Maximum # of Persons	2/3
Tyre Type	Foam Filled
Tyre Size	18-625
Diesel Engine	55.2 (74 HP)
Fuel Tank Capacity	170 L
Hydraulic Reservoir	227 L



SJ86 T Work Height

**Skyjack UK**  
 Unit 1, Maes-y-Clawdd  
 Maesbury Road Industrial Estate  
 Oswestry, Shropshire, SY10 8NN  
 Tel: +44 1691 676235  
 Fax: +44 1691 676239  
 Email: info@skyjackeurope.co.uk

**Skyjack SAS (France)**  
 74 Rue Sibert  
 F-42400 Saint Chamond  
 France  
 Tel: +33 (0) 4 78 73 53 32  
 Tel: +33 (0) 4 78 73 05 68  
 Fax: +33 (0) 4 78 56 52 42

**Skyjack Hebebühnen GmbH (Germany)**  
 Därmannbusch 2a  
 D-58456 Witten  
 Tel: +49 (0) 2302 20 26 909  
 Fax: +49 (0) 2302 20 25 671

**Skyjack AB (Sweden)**  
 Agnesbergsvägen 28  
 424 38 Agnesberg  
 Sweden  
 Tel: +46 (0) 31 21 22 45  
 Fax: +46 (0) 31 787 65 10

[www.skyjack.com](http://www.skyjack.com)