



Emoya Home

FIG 1

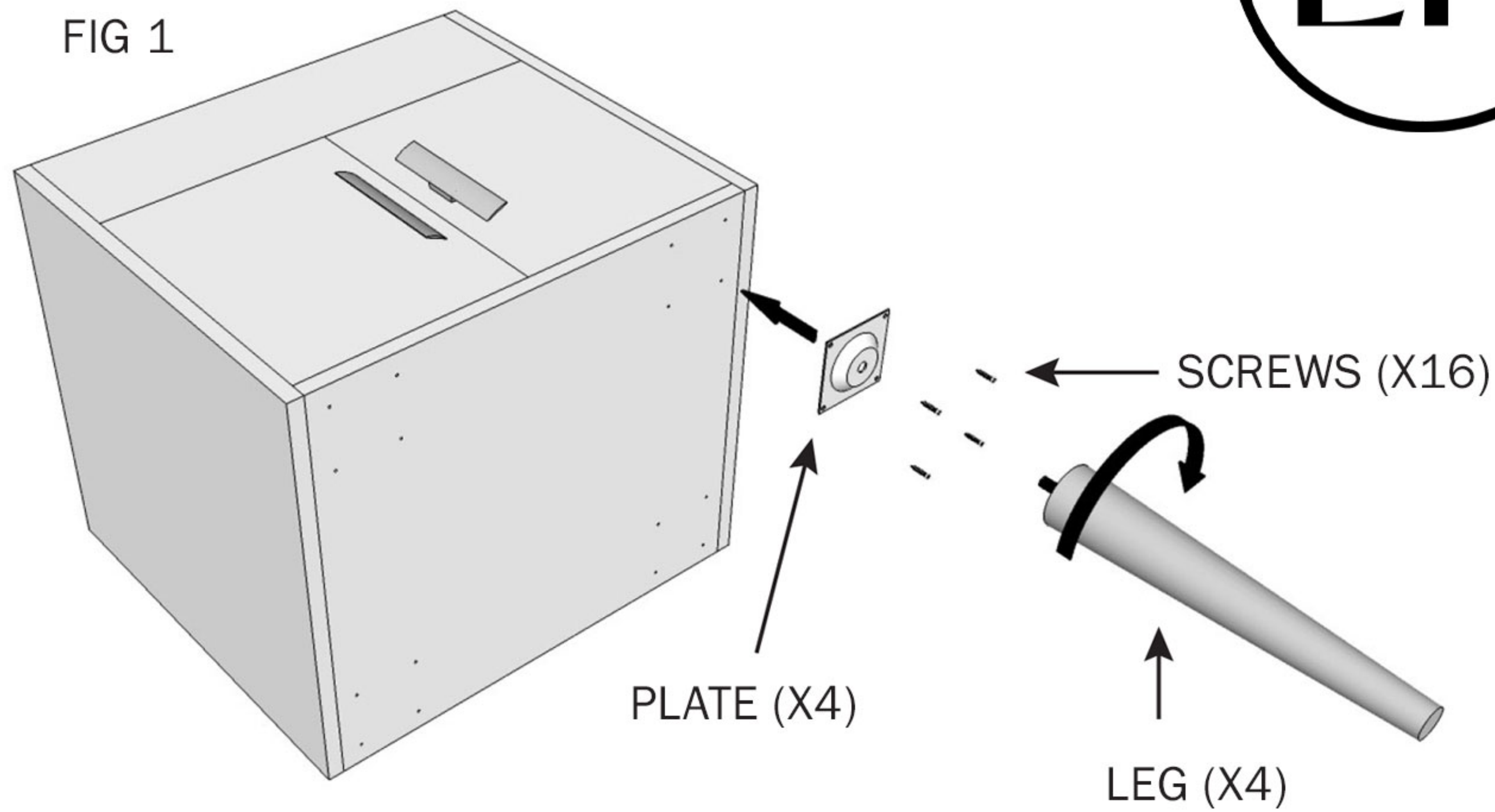


FIG 2



GILDED/GILDED II VANITY INSTALLATION GUIDE

1. LAY VANITY ON ITS BACK AND INSTALL PLATES (X4) AS SHOWN IN FIG. 1. DO NOT OVERTIGHTEN SCREWS.
2. SCREW LEGS (X4) FIRMLY INTO PLATE.
3. PLACE THE VANITY IN THE INSTALLATION LOCATION. VERIFY THAT THE CABINET IS LEVEL.
4. LOCATE AND MARK THE LOCATION OF YOUR WALL STUDS TO WHICH YOU WILL FASTEN YOUR VANITY.
5. ATTACH THE VANITY TO THE WALL BY SCREWING THROUGH THE MOUNTING RAIL IN THE BACK OF THE VANITY CABINET INTO WALL STUDS.
6. ATTACH THE SINK BOWL TO THE TOP USING CONSTRUCTION ADHESIVE.
7. ATTACH THE CLAMPS (X4) USING THE L BRACKET, BUTTERFLY NUT AND BOLT, AND WASHER. SEE FIG 2.
8. INSTALL THE SINK/TOP ON CABINET BOX BY APPLYING CONSTRUCTION ADHESIVE ALONG THE TOP OF THE CABINET.
9. POSITION THE TOP ONTO THE VANITY AND PRESS FIRMLY INTO PLACE. WIPE AWAY ANY EXCESS ADHESIVE.
10. LET THE VANITY SIT FOR 24 HOURS OR UNTIL THE ADHESIVE IS DRY.

NOTE: WE HIGHLY RECOMMEND USING A QUALIFIED, EXPERIENCED CONTRACTOR OR PLUMBER TO INSTALL YOUR VANITY.