



S8.4 / S10.4 / S12.4

**STUDIO SUBWOOFER
GRILLE ACCESSORY INSTALLATION INSTRUCTIONS (English)**



IMPORTANT SAFETY INSTRUCTIONS FOLLOW

SAFETY INSTRUCTIONS

- 1. Read instructions** - All the safety and operating instructions should be read before the product is operated.
- 2. Retain instructions** - The safety and operating instructions should be retained for future reference.
- 3. Heed Warnings** - All warnings on the product and in the operating instructions should be adhered to.
- 4. Follow Instructions** - All operating and use instructions should be followed.
- 5. Cleaning** - Unplug this product from the wall outlet before cleaning. Do not use liquid cleaners or aerosol cleaners. Use a damp cloth for cleaning.
- 6. Attachments** - Do not use attachments not recommended by the product manufacturer as they may cause hazards.
- 7. Water and Moisture** - Do not use this product near water-for example, near a bathtub, wash bowl, kitchen sink, or laundry tub; in a wet basement; or near a swimming pool; and the like.
- 8. Accessories** - Do not place this product on an unstable cart, stand, tripod, bracket, or table. The product may fall, causing serious injury to a child or adult and serious damage to the product. Use only with a cart, stand, tripod, bracket, or table recommended by the manufacturer, or sold with the product. Any mounting of the product should follow the manufacturer's instructions and should use a mounting accessory recommended by the manufacturer.
- 9. Cart** - A product and cart combination should be moved with care. Quick stops, excessive force, and uneven surfaces may cause the product and cart combination to overturn.
- 10. Ventilation** - Slots and openings in the cabinet are provided for ventilation to ensure reliable operation of the product and to protect it from overheating. These openings must not be blocked or covered. The openings should never be blocked by placing the product on a bed, sofa, rug, or other similar surface. This product should not be placed in a built-in installation such as a bookcase or rack unless proper ventilation is provided, or the manufacturer's instructions have been adhered to.
- 11. Power Sources** - This product should be operated only from the type of power source indicated on the marking label and connected to a MAINS socket outlet with a protective earthing connection. If you are not sure of the type of power supply to your home, consult your product dealer or local power company.
- 12. Power-Cord Protection** - Power-supply cords should be routed so that they are not likely to be walked on or pinched by items placed upon or against them, paying particular attention to cords at plugs, convenience receptacles, and the point where they exit from the product.
- 13. Mains Plug** - Where the mains plug or an appliance coupler is used as the disconnect device, the disconnect device shall remain readily operable.
- 14. Lightning** - For added protection for this product during a lightning storm, or when it is left unattended and unused for long periods of time, unplug it from the wall outlet and disconnect the antenna or cable system. This will prevent damage to the product due to lightning and power-line surges.
- 15. Overloading** - Do not overload wall outlets, extension cords, or integral convenience receptacles as this can result in a risk of fire or electric shock.
- 16. Flame Sources** - No naked flame sources, such as lighted candles, should be placed on the product.
- 17. Object and Liquid Entry** - Never push objects of any kind into this product through openings as they may touch dangerous voltage points or short-out parts that could result in a fire or electric shock. Never spill liquid of any kind on the product.
- 18. Loudspeakers** - Excessive sound pressure from loudspeakers can cause hearing loss.
- 19. Damage Requiring Service** - Unplug this product from the wall outlet and refer servicing to qualified service personnel under the following conditions:
 - a. When the power-supply cord or plug is damaged.
 - b. If liquid has been spilled, or objects have fallen into the product.
 - c. If the product has been exposed to rain or water.
 - d. If the product does not operate normally by following the operating instructions. Adjust only those controls that are covered by the operating instructions as an improper adjustment of other controls may result in damage and will often require extensive work by a qualified technician to restore the product to its normal operation.
 - e. If the product has been dropped or damaged in any way.
 - f. When the product exhibits a distinct change in performance-this indicates a need for service.
- 20. Replacement Parts** - When replacement parts are required, be sure the service technician has used replacement parts specified by the manufacturer or have the same characteristics as the original part. Unauthorized substitutions may result in fire, electric shock, or other hazards.
- 21. Safety Check** - Upon completion of any service or repairs to this product, ask the service technician to perform safety checks to determine that the product is in proper operating condition.



WARNING



The lightning flash with arrowhead symbol, within an equilateral triangle, is intended to alert the user to the presence of uninsulated "dangerous voltage" within the product's enclosure that may be of sufficient magnitude to constitute a risk of electric shock to persons

The exclamation point within an equilateral triangle is intended to alert the user to the presence of important operating and maintenance (servicing) instructions in the literature accompanying the appliance.



THE EQUIPMENT MUST BE CONNECTED TO AN EARTHED MAINS SOCKET-OUTLET.

CAUTION REGARDING PLACEMENT

To maintain proper ventilation, be sure to leave a space around the unit (from the largest outer dimensions including projections) that is equal to, or greater than shown below.

Top, Bottom, Front, Rear, Left, Right Sides: 10 cm

CAUTION

Changes or modifications to this equipment not expressly approved by KRK SYSTEMS for compliance could void the user's authority to operate this equipment.

CAUTION

To prevent electric shock, match wide blade of plug to wide slot, fully insert.

CAUTION

Marking and rating plate can be found at the rear panel of the apparatus.

WARNING

To reduce the risk of fire or electric shock, do not expose this apparatus to rain or moisture.

The apparatus shall not be exposed to dripping or splashing and that no objects filled with liquids, such as vases, shall be placed on apparatus.

Mains plug is used as disconnect device and it should remain readily operable during intended use. In order to disconnect the apparatus from the mains completely, the mains plug should be disconnected from the mains socket outlet completely.

CAUTION

An appliance with a protective earth terminal should be connected to a mains outlet with a protective earth connection.

IF IN DOUBT CONSULT A COMPETENT ELECTRICIAN.

NOTES ON ENVIRONMENTAL PROTECTION

At the end of its useful life, this product must not be disposed of with regular household waste but must be returned to a collection point for the recycling of electrical and electronic equipment. The symbol on the product, user's manual and packaging point this out.

The materials can be reused in accordance with their markings. Through re-use, recycling of raw materials, or other forms of recycling of old products, you are making an important contribution to the protection of our environment.

Your local administrative office can advise you of the responsible waste disposal point.



INSTALLING YOUR NEW GRILLE ACCESSORY

IMPORTANT: Before beginning, please gather the tools necessary to make the installation of the grille accessory a little easier. Tools needed will be a small flat-head screwdriver or a picking device such as an ice pick. To begin the installation, please ensure that the subwoofer is placed on a stable surface.

Step 1 (Figures A1 and A2)

Locate the rubber trim piece (1) that is embedded into the grille channel on the woofer trim ring. Completely remove the rubber trim ring using the small screwdriver or ice pick. (Do not remove any screws holding the woofer.) The trim piece will come out of the grille channel easily. If you choose, you can keep this trim piece if you would like to remove the grille later.

Step 2 (Figures B1 and B2)

Locate the grille accessory (2), it comes with several rubber gaskets installed on the edge to ensure a secure fit into the grille channel. Insert and push the edge of the grille into the grille channel. You may need to tap the grille around the perimeter with your fist or a rubber mallet until it is fully seated into the channel. (Do not push or use force on the center of the grille as this may dent the grille, only use force around the edge of the grille.)

Step 3 (Figure C1)

You're done! You can now use your subwoofer normally.

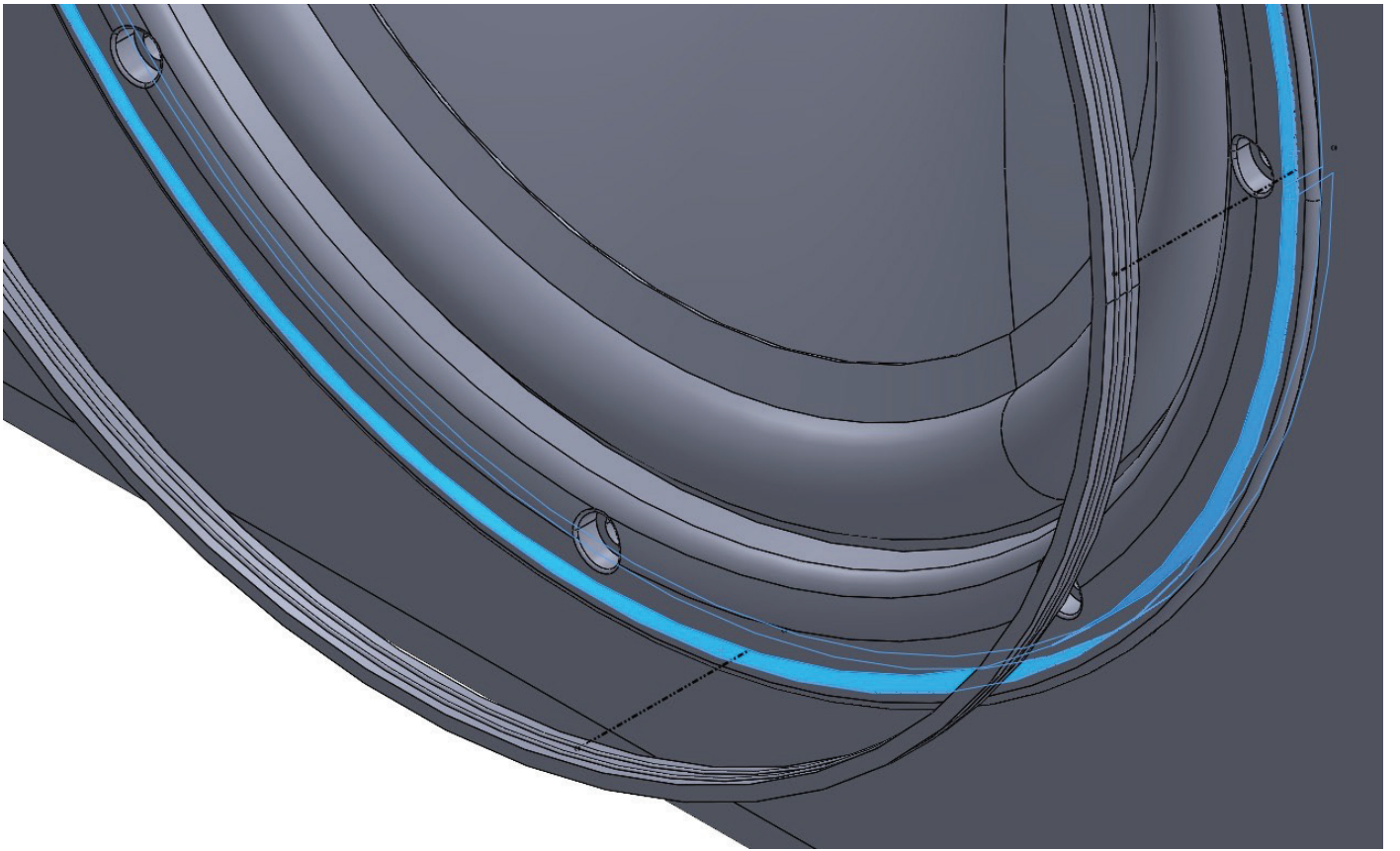


Figure A 1

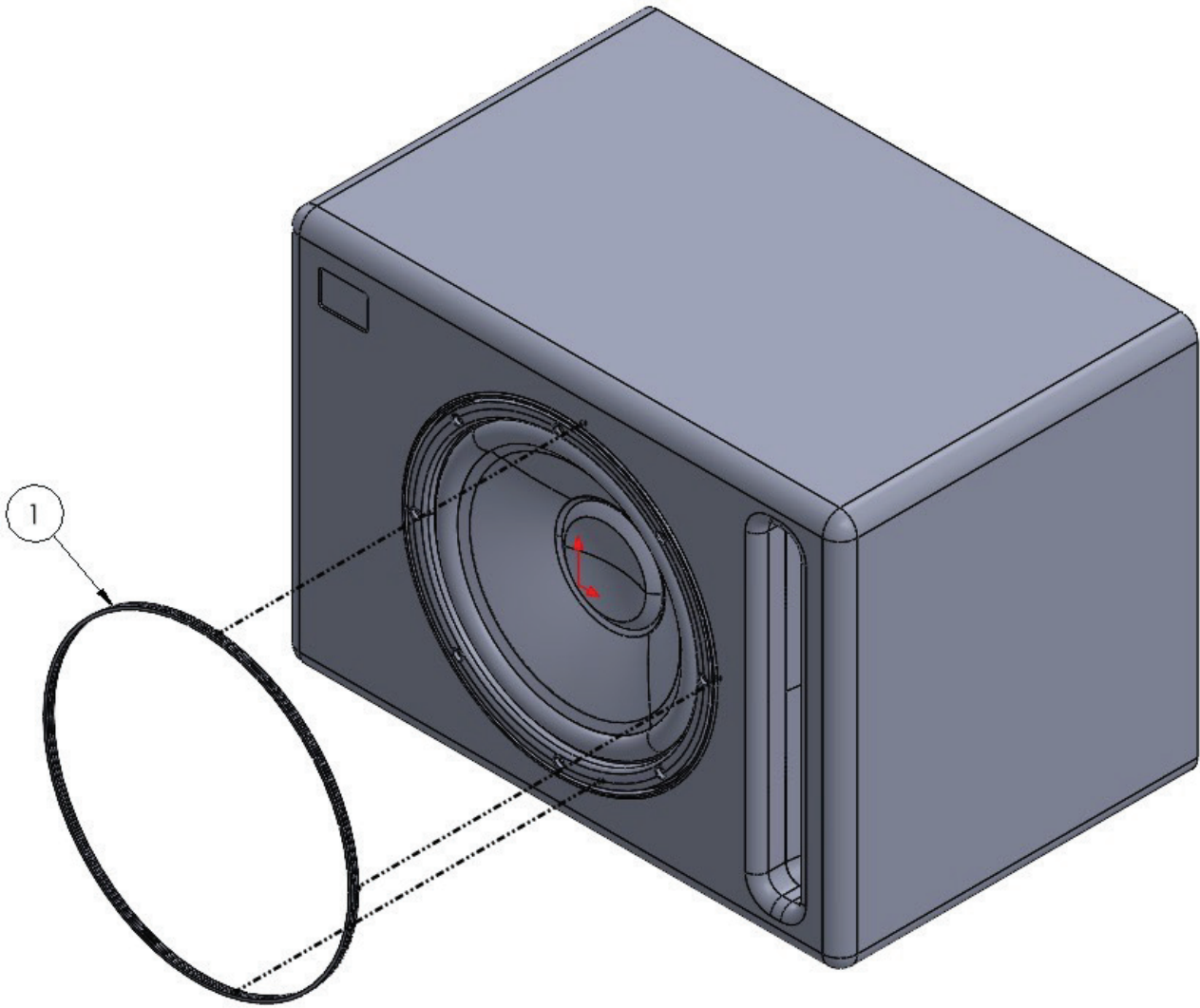


Figure A 2

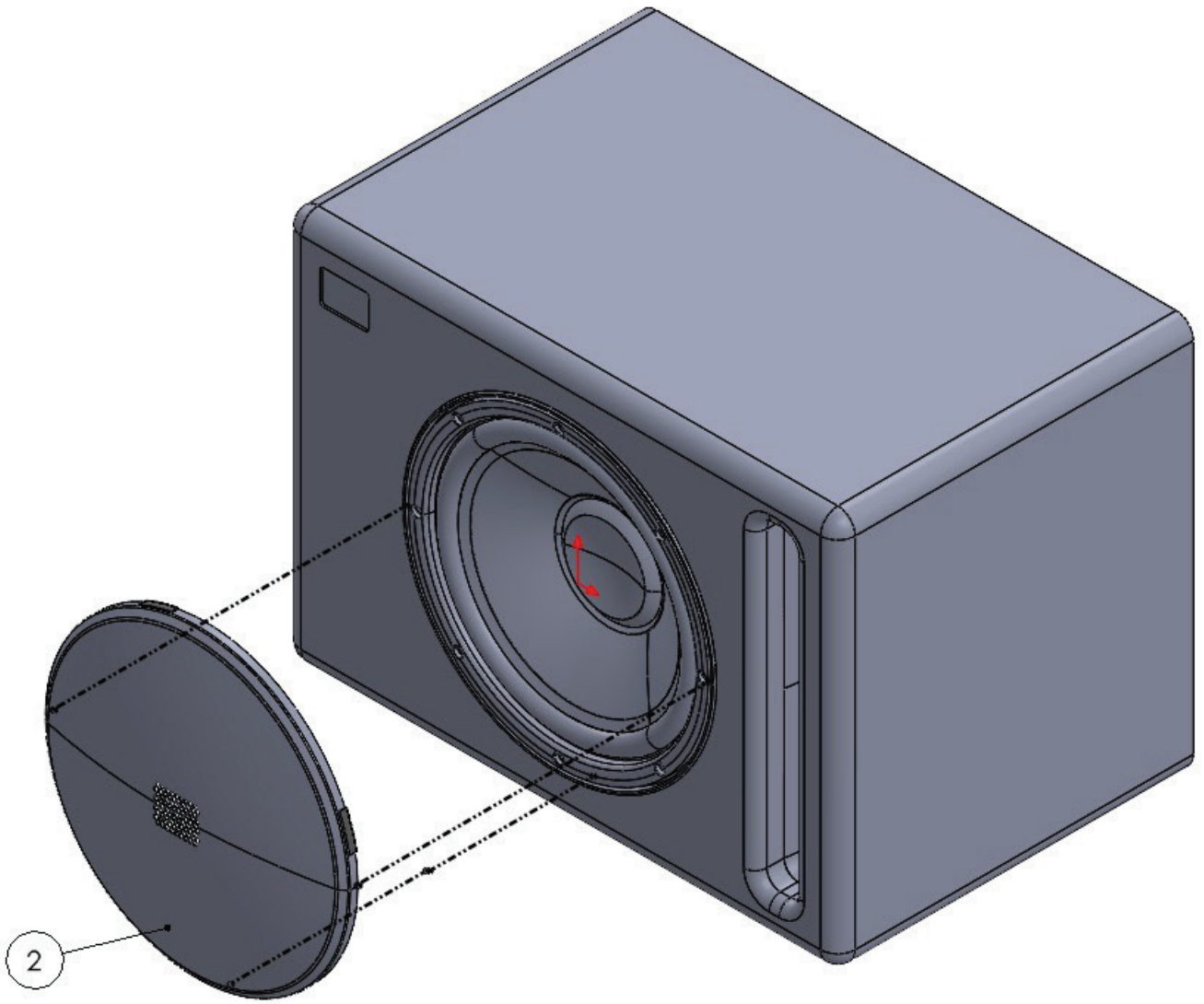


Figure B 1

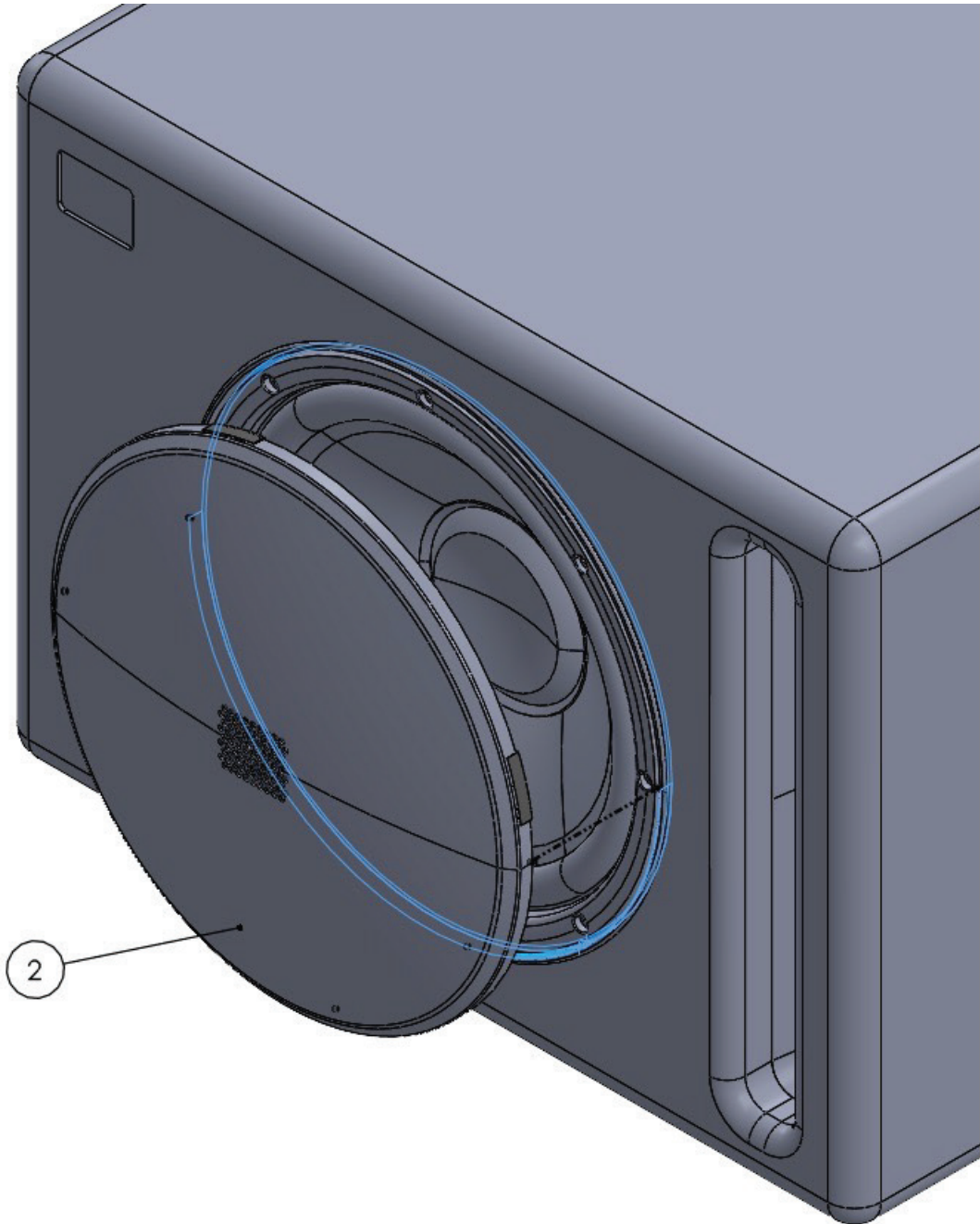


Figure B 2

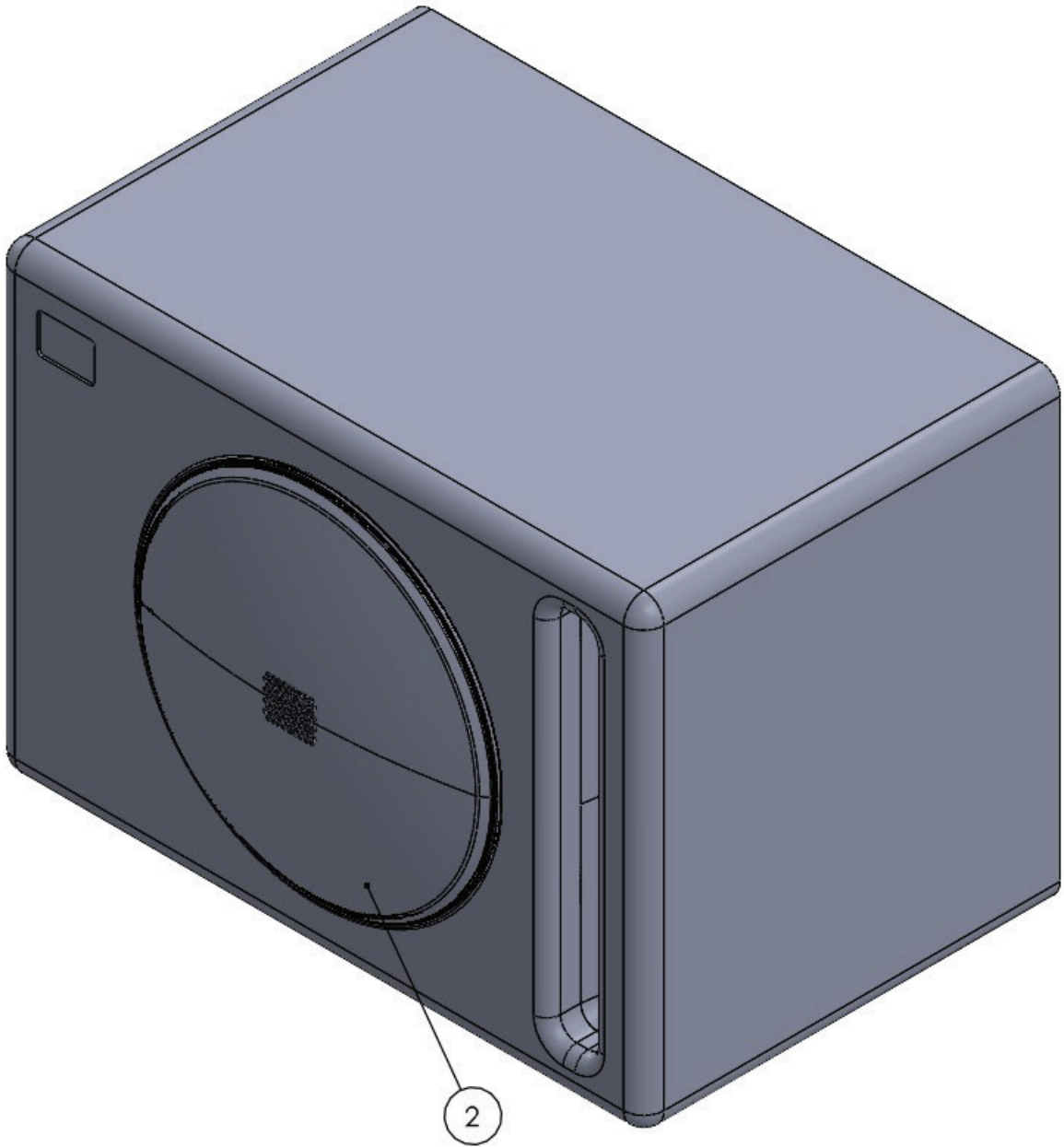


Figure C1

KRK Product Warranty

About Your Warranty

If used in strict accordance with KRK instructions and only for products operated in the United States, KRK Systems warrants parts and labor on all monitors and grille accessories for a period of three (3) years from the original date of purchase for all products purchased from a US Authorized Dealer. For goods purchased outside of the United States, please contact your local dealer or distributor for specific information on warranty terms and conditions. For Expose Series recording monitors, refer to the dedicated Expose Series warranty card and policy. KRK Systems warrants parts and labor on all headphones, computer audio devices, including room correction devices, for a period of one (1) year from the original date of purchase. Defective parts will be repaired under this warranty when a defect occurs under normal installation and use.

This warranty is limited to repair of parts and replacements necessitated by defective workmanship or materials. KRK accepts no responsibility for damage or malfunction which, in the sole opinion of KRK Systems, is the result of misuse, abuse, neglect, accident, shipping damage or unauthorized repair. Any such misuse, abuse, neglect, accident, shipping damage or unauthorized repair will result in the voiding of this warranty.

Except as set forth herein, KRK Systems makes no representations or warranties, whether expressed or implied, including any implied warranties of merchantability or suitability for a particular purpose, all of which are expressly waived and disclaimed hereby, as to any KRK Systems products.

In no event shall KRK Systems be liable for special, incidental, consequential, punitive, or indirect damages, including without limitation loss of profits or loss of data. For any action brought against KRK Systems, whether in tort, contract or any other theory of law, in no event shall KRK Systems' liability exceed the total amount paid by the purchaser to an authorized dealer or representative for the product given rise to the underlying claim.

Some states and countries do not allow the exclusion or limitation of incidental or consequential damages, so the above limitation or exclusion may not apply to you. This warranty gives you specific legal rights, and you may also have other rights, which vary from state to state. This warranty only applies to KRK Systems products purchased by the consumer from an authorized KRK dealer.

To contact a Gibson Customer Service Representative, call 1.800.4GIBSON or email service@gibson.com. For support in Europe, please call 00+800.4GIBSON1 or email service.europe@gibson.com. All other regions, please contact 1.615.871.4500 or email service@gibson.com.



www.krkmusic.com/warranty



www.krkmusic.com