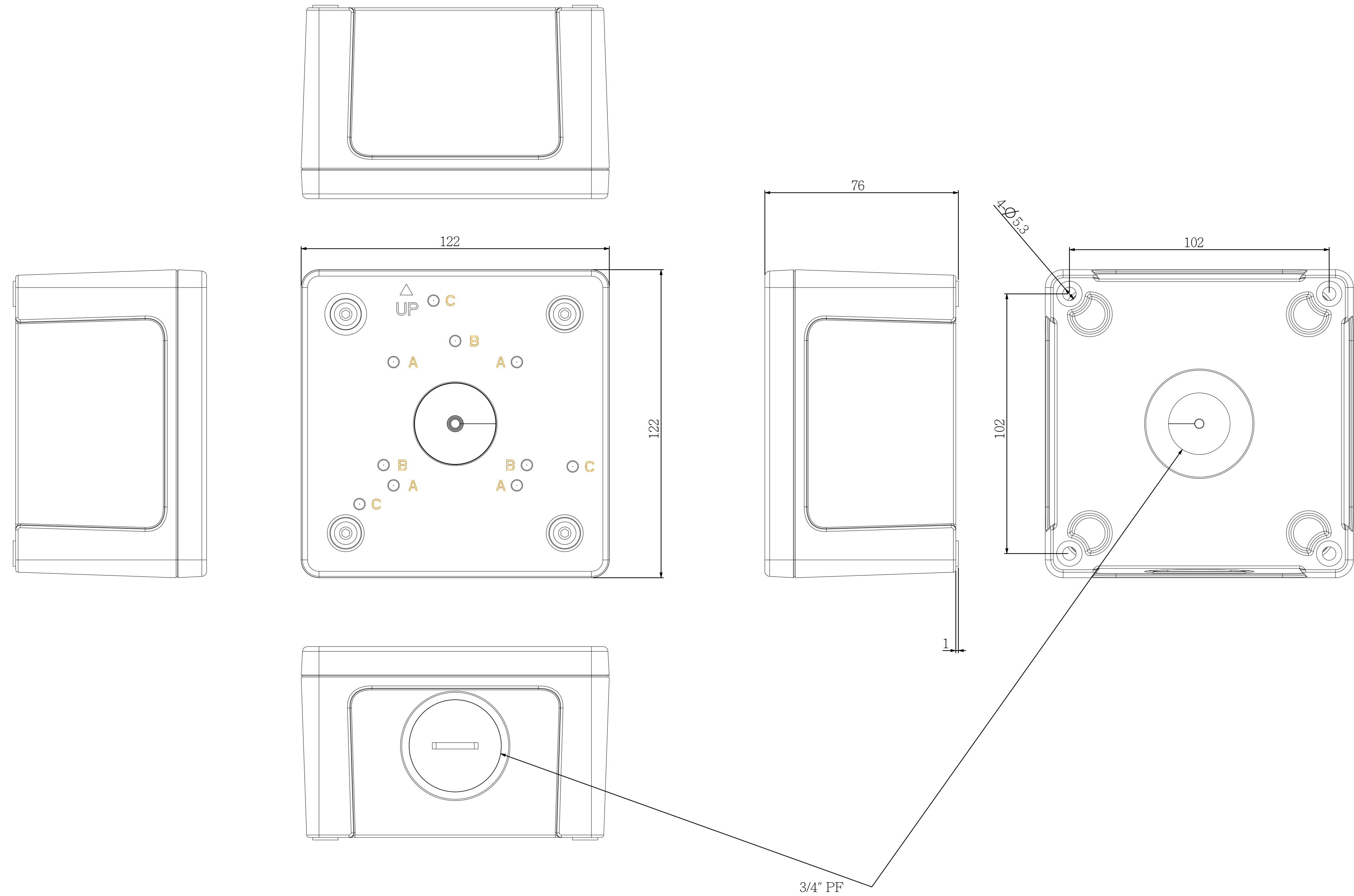


REVISIONS				
REV	DESCRIPTION	POSTED	ENGINEER	DATE
11	New Edition			Aug-29-19



UNLESS OTHERWISE SPECIFIED
ALL DIMENSIONS ARE IN mm

TOLERANCE ON
LINEAR ±0.130
0.05
0.100
0.200
0.300
0.500
1.000
ANGULAR ±0.5°

 VIVOTEK Incorporated	PART NO.		MODEL	
	ENGR	TBD	AMTIC	
	DRN	TBD	DRAWING TITLE	
	CHK	TBD	AMTIC_FUNCTION_BOX_ASSY	
MTL	TBD	ISSUE DATE	Aug-29-19	REVISION
FINISH	TBD	SCALE	1:1	UNIT
CP102-W1-014-01-0		SIZE	A1	SHEET
				1 OF 1