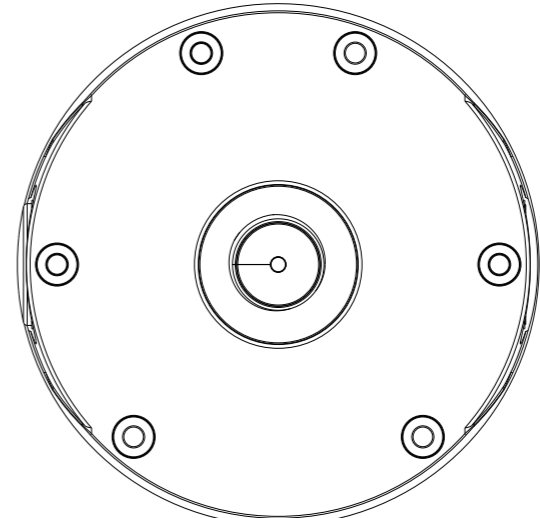
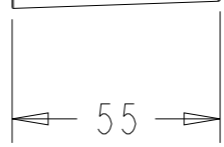
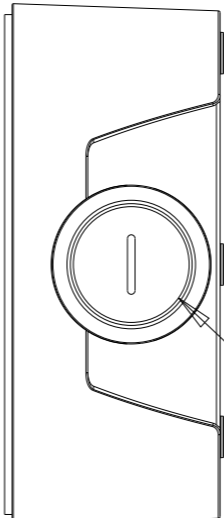
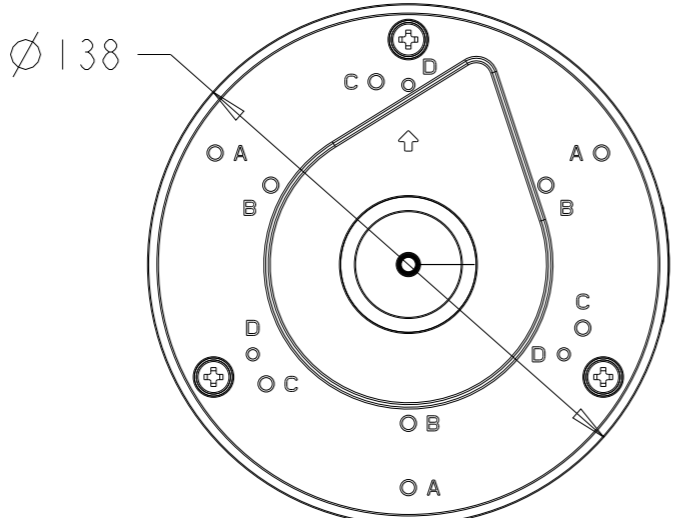
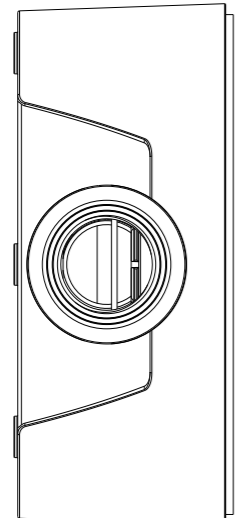
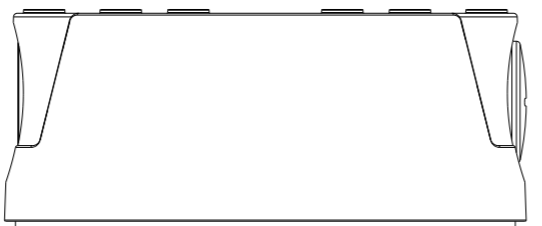


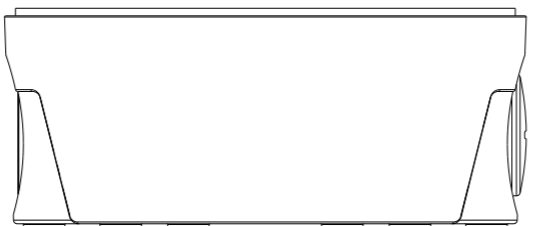
REVISIONS				
REV	DESCRIPTION	POSITION	ENGINEER	DATE
1.0	New Edition			Dec-18-19
v2.0	ADD D M3X0.5P		Amy	2024-03-06



PF 3/4"

A, B, C  
(M4x0.7P)

D  
(M3X0.5P)



<b>VIVOTEK</b> VIVOTEK Incorporated <small>THIS DRAWING ON THIS PRINT AND INFORMATION THEREWITH ARE PROPRIETARY TO VIVOTEK INC. AND SHALL NOT BE USED OR DISCUSSED IN WHOLE OR IN PART WITHOUT VIVOTEK'S CONSENT.</small>	PART NO.					
	ENGR	Jesen	MODEL	AM-71B_V02		
	DRN	Jesen	DRAWING TITLE	AM-71B-V02-6VIEW		
	CHK		ISSUE DATE	Dec-18-19	REVISION	1.0
M'TL		SCALE	0.500	UNIT	mm	
FINISH		SIZE	A3	SHEET	1 OF 1	
CP02-WI-014-01-5	第三角法					