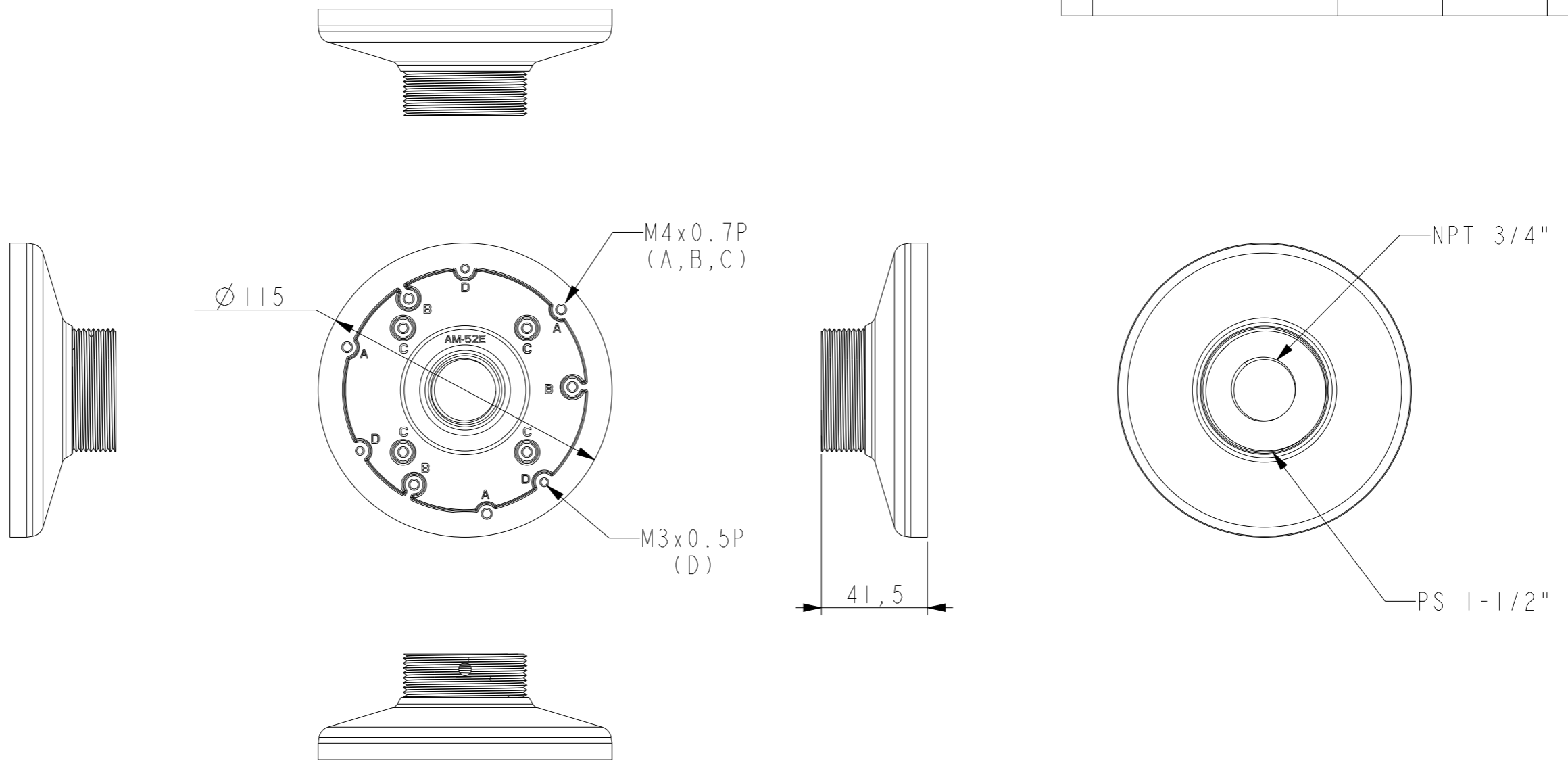


REVISIONS				
REV	DESCRIPTION	ENGINEER	REQUIRE	DATE
1.0	New Edition			Jun-24-19



UNLESS OTHERWISE SPECIFIED
ALL DIMENSIONS ARE IN mm

TOLERANCE ON:
 LINEAR : <30 ±0.10
 30-50 ±0.15
 50-100 ±0.18
 100-200 ±0.20
 200-300 ±0.25
 >300 ±0.30

ANGULAR: X ±1°
 X.X ±0.5°

 VIVOTEK Incorporated	PART NO.		MODEL		AM-52E	
	ENGR	Jesen	DRAWING TITLE		AM-52E-6VIEW	
<small>THIS DRAWING ON THIS PRINT AND INFORMATION THEREWITH ARE PROPRIETARY TO VIVOTEK INC. AND SHALL NOT BE USED OR DISCUSSED IN WHOLE OR IN PART WITHOUT VIVOTEK'S CONSENT.</small>	DRN	Jesen	DRAWING NO.		FORM-V02.2014-12-16	
	CHK		ISSUE DATE		Jun-24-19	REVISION
APRV		SCALE		0,250	UNIT	mm
M'TL		SIZE		A3	SHEET	1 OF 1
FINISH		第三角法				
CP02-WI-014-01-4						