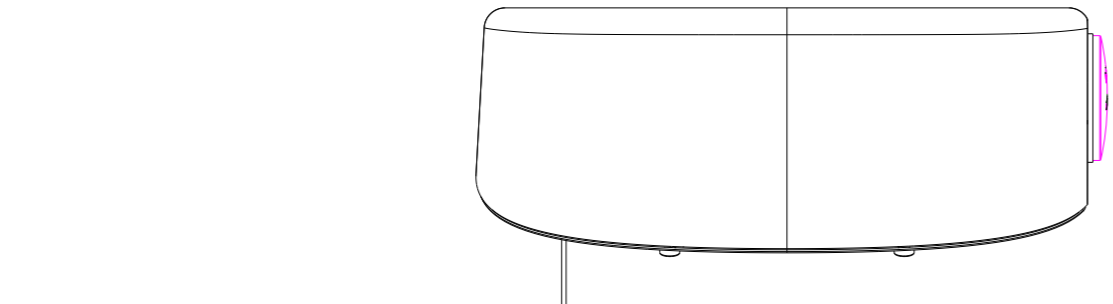
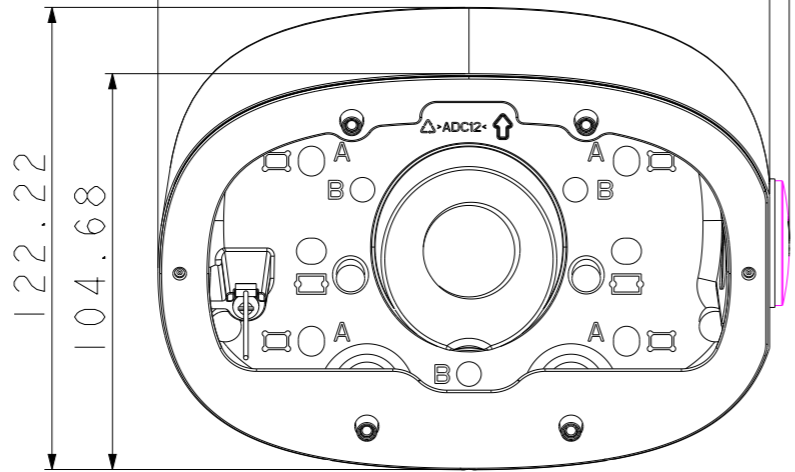
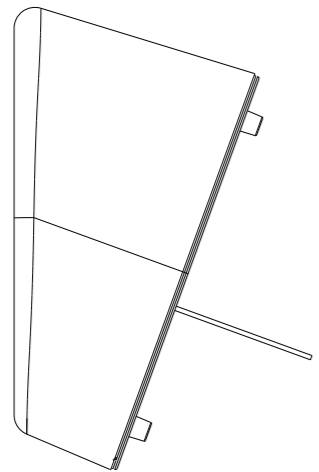


REVISIONS				
REV	DESCRIPTION	POSITION	ENGINEER	DATE
1.0	New Edition			Mar-11-20

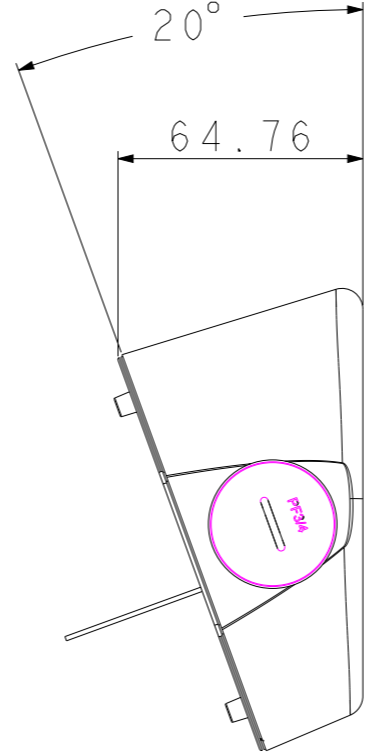


166.95
161.75



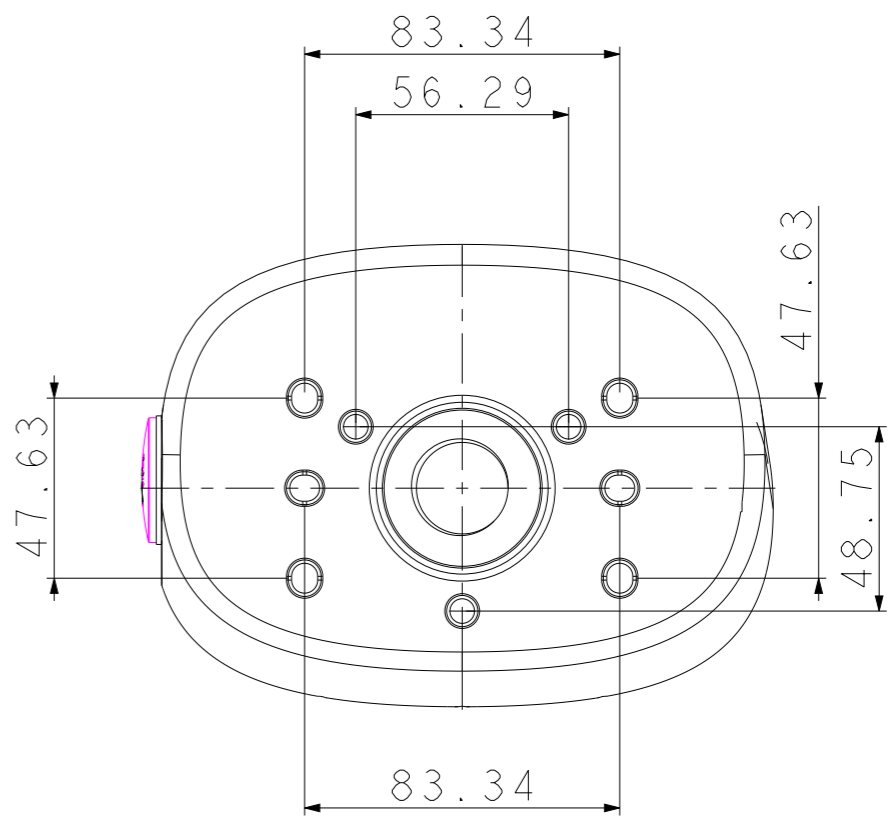
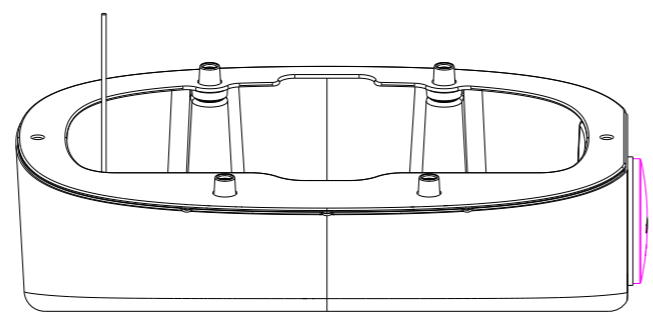
122.22
104.68

SCALE 1:2



20°

64.76



UNLESS OTHERWISE SPECIFIED
ALL DIMENSIONS ARE IN mm

TOLERANCE ON:
LINEAR :<30 ±0.10
30-50 ±0.15
50-100 ±0.18
100-200 ±0.20
200-300 ±0.25
>300 ±0.30

ANGULAR: X ±1°
X.X ±0.5°



THIS DRAWING ON THIS PRINT AND INFORMATION
THEREWITH ARE PROPRIETARY TO VIVOTEK INC.
AND SHALL NOT BE USED OR DISCUSSED IN WHOLE
OR IN PART WITHOUT VIVOTEK'S CONSENT.

CP02-W1-014-01-5

PART NO.		MODEL			
ENGR		AM-21N			
DRN		DRAWING TITLE			
CHK		AM-21N			
M'TL	ASSY	ISSUE DATE	Mar-11-20	REVISION	1.0
FINISH	NA	SCALE	1:1	UNIT	mm
	第三角法	SIZE	A3	SHEET	1 OF 1