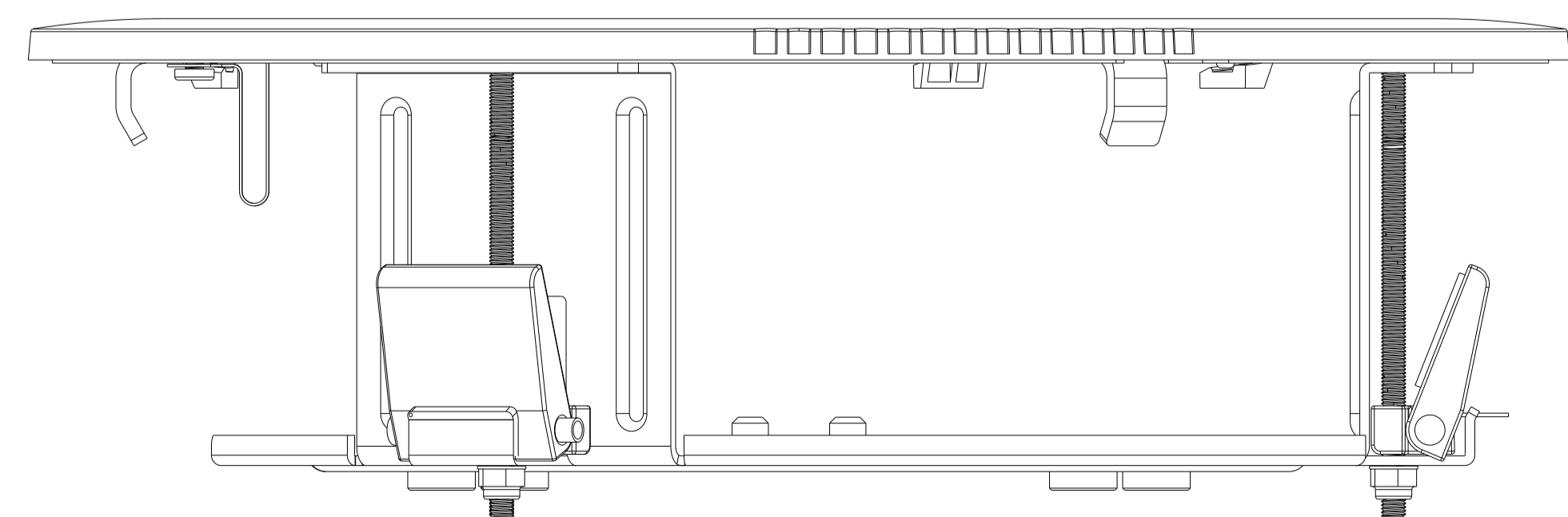
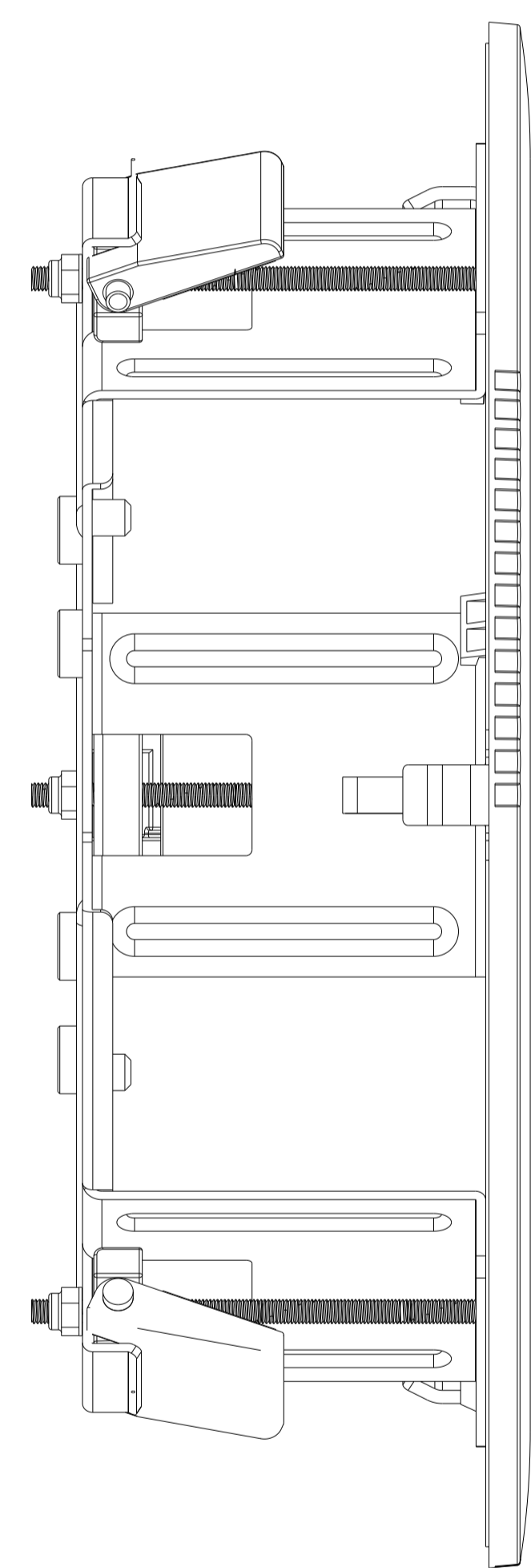
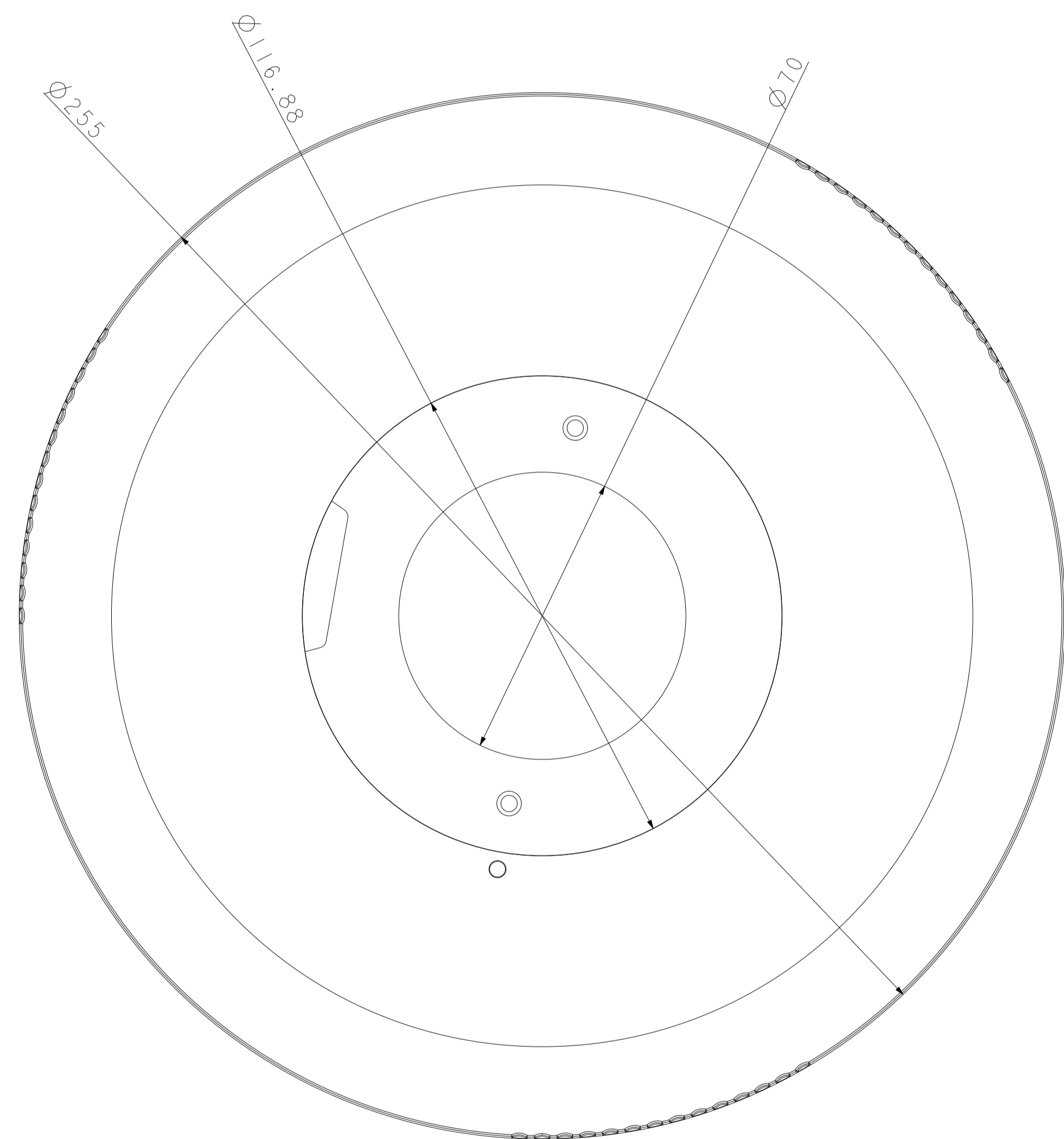
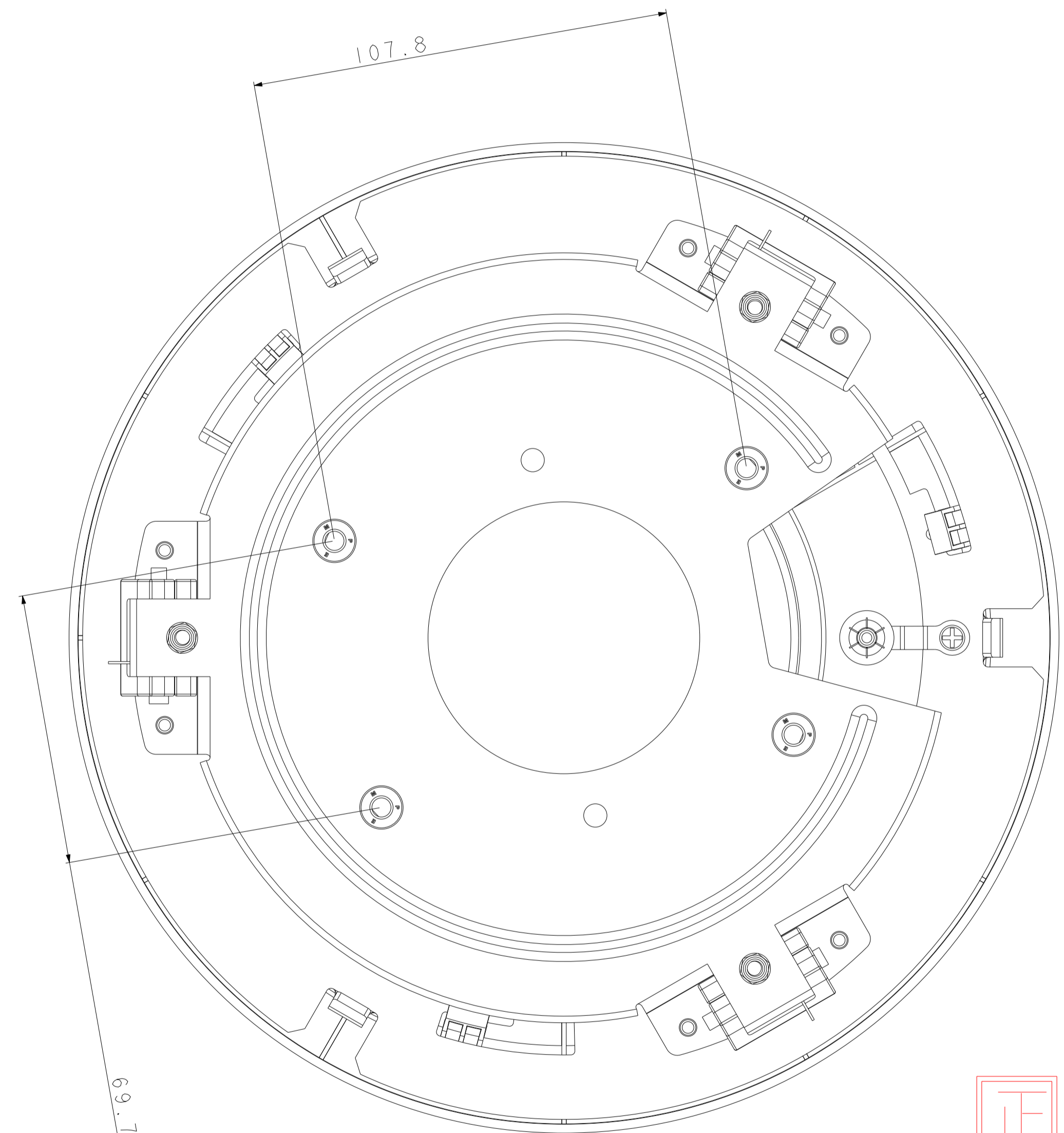
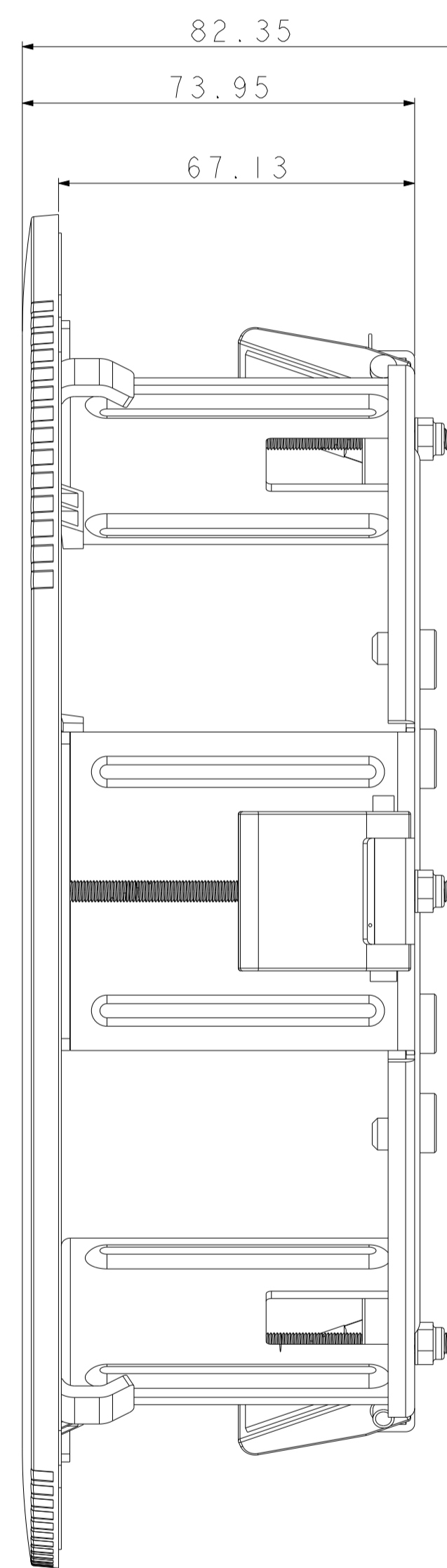
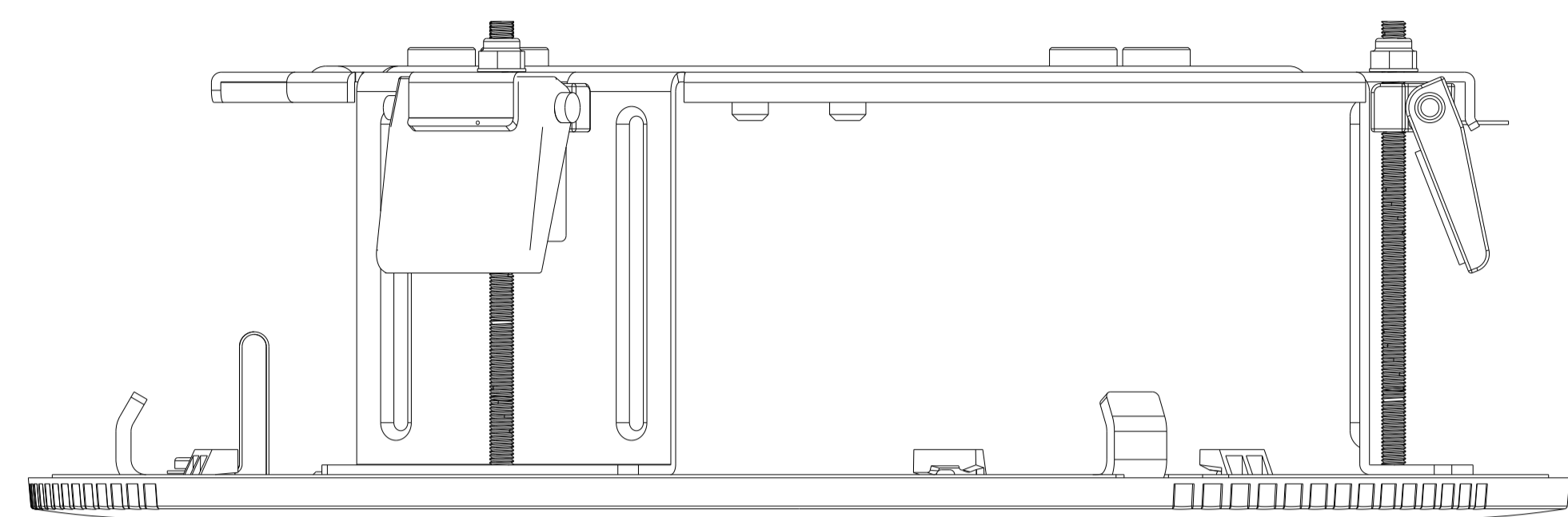


CONFIDENTIAL

REVISIONS				
REV	DESCRIPTION	POSITION	ENGINEER	DATE
00	New Edition			May-29-23



正式圖面

Detail 1: 1:1 Simulation: 100% (100%) Elapsed: 0:32 P: 48.18 M: 48.18 C: 48.18 User:		Part No. V10900073500 Model AM-10H Description AM-10H.G.VIEW Issue Date May-29-23 Revision 00 Unit mm Sheet 1 of 1	
Elapsed: 0:32 P: 48.18 M: 48.18 C: 48.18 User:		Part No. V10900073500 Model AM-10H Description AM-10H.G.VIEW Issue Date May-29-23 Revision 00 Unit mm Sheet 1 of 1	