

## Datasheet

# Outdoor Waterproof 802.3af/at PoE Switch

WI-PS205-O | WI-PS209-O | WI-PS306GF-O  
WI-PS309GF-O | WI-PS306GF-O-DC



## Overview

Wi-Tek Outdoor PoE Switch offers an “All in One” solution for installers and customers, streamlining the process by eliminating the need to order separate parts and assemble them. With IP65 weatherproof and 6kV surge protection, it ensures high-performance operation in harsh environments. The Wi-Tek Outdoor Waterproof 802.3af/at PoE Switch Series is designed for outdoor applications like video surveillance and commercial Wi-Fi installations, providing reliable connectivity and durability in outdoor settings.

## Features

### All in One

The outdoor PoE switch is generally more cost-effective than non-assembled switches because there's no need to cost each part of the switch separately.

### IP65 Weatherproof Enclosure

Robust housing design, integrated top cover, PC/ABS high-quality material, extraordinary toughness, waterproof enclosure design, make sure the switch can be used in the bad weather.

### PoE 250m Long Distance to Extend Network (WI-PS205-O WI-PS209-O)

DIP switch provides Extend Mode. All PoE ports can transmit data and power up to 250 meters. No further hardware or configuration is necessary, easy-to-use and cost-saving. Perfect for surveillance camera deployment in large areas.

### Port Isolation to Prevent Broadcast Storm (WI-PS205-O WI-PS209-O)

With VLAN Mode, all PoE ports only can communicate with uplink ports. Avoid data leakage between each port and prevent broadcast storm from disabling network.

# Specifications



Model	WI-PS205-O	WI-PS209-O
<b>Hardware Specifications</b>		
Hardware Version	V1	V1
<b>Interfaces</b>		
Downlink Ports	4 10/100Mbps RJ45 PoE Ports	8 10/100Mbps RJ45 PoE Ports
Uplink Ports	1 10/100Mbps Uplink Port	1 10/100Mbps Uplink Port
<b>PoE</b>		
PoE Port	Port: 1–4	Port: 1–8
PoE Standard	802.3af/at	
PoE Power Supply Type	End–span	
PoE Pin Assignment	1/2(+), 3/6(–)	
PoE Power	30W Max. for each port, 56 W Max. for PoE power budget	30W Max. for each port, 116 W Max. for PoE power budget
<b>Switch Property</b>		
Standards and Protocols	IEEE 802.3 (Ethernet) IEEE 802.3u (Fast Ethernet) IEEE 802.3af (Power over Ethernet) IEEE 802.3at (Power over Ethernet Plus)	
Forwarding Mode	Store and Forward	
Switching Capacity	1 Gbps	1.8 Gbps
Packet Forwarding Rate	0.74 Mpps	1.34 Mpps
MAC Address Table	4 k	
Packet Buffer Memory	768Kbit	
Jumbo Frame	2 kB	
<b>Power Supply</b>		
Input Power	100–240V AC 50/60Hz Input	
Power Consumption	Idle: 4 W 100% Traffic Rate with PoE: 60 W	Idle: 4 W 100% Traffic Rate with PoE: 120 W



Model		WI-PS205-O	WI-PS209-O
Physical Characteristics			
LED Indicators	<p><b>PWR</b> Solid on: The device power on is normal Off: The device is power off or failed</p> <p><b>UP (Uplink)</b> Blinking: Data on TX/RX Solid on: Uplink port link down</p> <p><b>P1/P2/P3/P4: PoE Power</b> Solid on: The power is working Off: The power is not working</p> <p><b>1/2/3/4: Link</b> Blinking: The Data on TX/RX Solid on: The port link down</p>	<p><b>PWR</b> Solid on: The device power on is normal Off: The device is power off or failed</p> <p><b>UP (Uplink)</b> Blinking: Data on TX/RX Solid on: Uplink port link down</p> <p><b>1/2/3/4/5/6/7/8: Power + Data</b> Blinking: Data on TX/RX Solid on: Port link down</p>	
Dimensions (W*D*H)	341x215x77 mm	341x215x77 mm	
Weight	Net Weight: 0.81 kg	Net Weight: 0.93 kg	
	Package Weight: 1.19 kg	Package Weight: 1.31 kg	
Installation	Pole-mount、Wall-mount		
Button			
DIP	<p><b>Default:</b> The transmission distance of PoE port can be up to 100m with 100Mbps.</p> <p><b>CCTV (VLAN+Extend):</b> The transmission distance of PoE port can be up to 250m, and PoE ports are isolated. The rate is limited to 10Mbps for each port.</p>	<p><b>Default:</b> The speed of PoE ports can be auto negotiated based on distance. (Distance &lt; 100 meters, 100Mbps; Distance &gt; 100 meters, 10Mbps)</p> <p><b>VLAN:</b> All PoE ports are isolated from each other, but can communicate with uplink ports.</p>	
Environmental			
Reliability	Surge Immunity	EC 61000-4-5 Common mode 6 kV Differential mode 2 kV	
	ESD Protection	IEC 61000-4-2 Contact discharge 6 kV Air discharge 8 kV	
Operating Temperature	-30°C to 70°C(22°F to 158°F)		
Operating Humidity	10%~90% RH no condensation		
Storage Temperature	-40°C to 70°C(-40°F to 158°F)		
Storage Humidity	5%~90% RH no condensation		
Certification			
Certification	CE, FCC, RoHS, UKCA, RCM		
Network Media	10Base-T: Pair 2 Category 3(cat 3) and above UTP/STP(≤100m) 100Base-TX: Pair 2 Category 5(cat 5) and above UTP/STP(≤100m)		



Model	WI-PS306GF-O	WI-PS309GF-O	WI-PS306GF-O-DC
<b>Hardware Specifications</b>			
Hardware Version	V1	V1	V1
<b>Interfaces</b>			
Downlink Ports	4 100/1000Mbps RJ45 PoE Ports	8 100/1000Mbps RJ45 PoE Ports	5 100/1000Mbps RJ45 PoE Ports
Uplink Ports	1 100/1000Mbps Uplink Ports 1 100/1000Mbps SFP Slot	2 100/1000Mbps SFP Slots	1 100/1000Mbps SFP Slot
<b>PoE</b>			
PoE Port	Port 1– 4	Port 1– 8	Port 1: 100/1000Mbps 802.3bt PoE input Port 2: 100/1000Mbps Passive 24V 0.5A output Port 3–5: 100/1000Mbps 802.3at PoE output
PoE Standard	802.3 af/at		
PoE Power Supply Type	Mid-span	Mid-span	Mid-span or End-span
PoE Pin Assignment	4/5(+), 7/8(-)	4/5(+), 7/8(-)	1/2(+), 3/6(-) or 4/5(+), 7/8(-)
PoE Power	30W Max. for each port, 56 W Max. for PoE power budget	30W Max. for each port, 116 W Max. for PoE power budget	For Port 1: 100/1000Mbps 802.3bt PoE input PoE Power: 60W Max. (DC POWER IN or BT POWER IN)  For Port 2: 100/1000Mbps Passive 24V 0.5A output PoE Power: 12W Max. (DC POWER IN or BT POWER IN)  For Port 3–5: 100/1000Mbps 802.3at PoE output PoE Power: 30W Max. (DC POWER IN or BT POWER IN)  83W Max. for PoE power budget (DC POWER IN) 56W Max. for PoE power budget (BT POWER IN)



Model	WI-PS306GF-O	WI-PS309GF-O	WI-PS306GF-O-DC
<b>Switch Property</b>			
Standards and Protocols	IEEE 802.3 (Ethernet) IEEE 802.3u (Fast Ethernet) IEEE 802.3ab (Gigabit Ethernet) IEEE 802.3af (Power over Ethernet) IEEE 802.3at (Power over Ethernet Plus)		IEEE 802.3 (Ethernet) IEEE 802.3u (Fast Ethernet) IEEE 802.3ab (Gigabit Ethernet) IEEE 802.3z (Gigabit Ethernet over Fiber) IEEE 802.3af (Power over Ethernet) IEEE 802.3at (Power over Ethernet Plus) IEEE 802.3bt (Power over Ethernet Type 3 )
Forwarding Mode	Store and Forward		
Switching Capacity	12 Gbps	20 Gbps	12 Gbps
Packet Forwarding Rate	8.92 Mpps	14.88 Mpps	8.92 Mpps
MAC Address Table	4 k		
Packet Buffer Memory	4.1Mbit		
Jumbo Frame	9 kB		
<b>Power Supply</b>			
Input Power	100–240V AC Input		DC IN: 48~52V Or PoE IN: 802.3bt
Power Consumption	Idle: 4 W 100% Traffic Rate with PoE: 60 W	Idle: 4 W 100% Traffic Rate with PoE: 120 W	Idle: 4 W 100% Traffic Rate with PoE: 87 W (DC POWER IN) 100% Traffic Rate with PoE: 60 W (BT POWER IN)
<b>Physical Characteristics</b>			
LED Indicators	<p><b>PWR</b> Solid on: The device power on is normal Off: The device is power off or failed</p> <p><b>UP (Uplink)</b> Blinking: Data on TX/RX Solid on: Uplink port link down</p> <p><b>P1/P2/P3/P4: PoE Power</b> Solid on: The power is working Off: The power is not working</p> <p><b>1/2/3/4: Link</b> Blinking: The Data on TX/RX Solid on: The port link down</p>	<p><b>PWR</b> Solid on: The device power on is normal Off: The device is power off or failed</p> <p><b>UP (Uplink)</b> Blinking: Data on TX/RX Solid on: Uplink port link down</p> <p><b>1/2/3/4/5/6/7/8: Link</b> Blinking: The Data on TX/RX Solid on: The port link down</p>	<p><b>PWR</b> On: the device power on is normal Off: the device power on is abnormal</p> <p><b>1/2/3/4/5/6</b> Blinking: data on TX/RX On: ports link up</p>



Model		WI-PS306GF-O	WI-PS309GF-O	WI-PS306GF-O-DC
Physical Characteristics				
Dimensions (W*D*H)		341x215x77 mm	341x215x77 mm	228x135x71 mm
Weight	Net Weight: 0.84 kg		Net Weight: 0.965 kg	
	Package Weight: 1.22 kg		Package Weight: 1.345 kg	
Installation		Pole-mount、Wall-mount		
Environmental				
Reliability	Surge Immunity	EC 61000-4-5 Common mode 6 kV Differential mode 2 kV		
	ESD Protection	IEC 61000-4-2 Contact discharge 6 kV Air discharge 8 kV		
Operating Temperature		-30°C to 70°C(22°F to 158°F)		
Operating Humidity		10%~90% RH no condensation		
Storage Temperature		-40°C to 70°C(-40°F to 158°F)		
Storage Humidity		5%~90% RH no condensation		
Certification				
Certification		CE, FCC, RoHS, UKCA, RCM		
Network Media		10Base-T: Pair 2 Category 3(cat 3) and above UTP/STP(≤100m) 100Base-TX: Pair 2 Category 5(cat 5) and above UTP/STP(≤100m) 1000BASE-TX: 6 Category and above UTP(≤150m)		

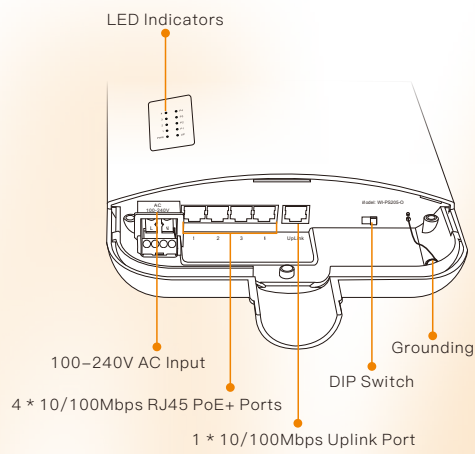
# Appearances and Dimensions

WI-PS205-O

Dimensions (mm)



Product Overview



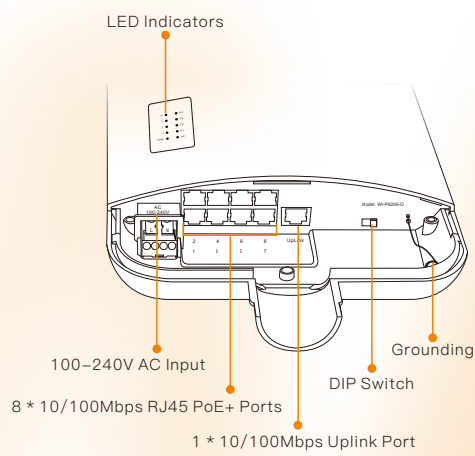
# Appearances and Dimensions

WI-PS209-O

Dimensions (mm)



Product Overview



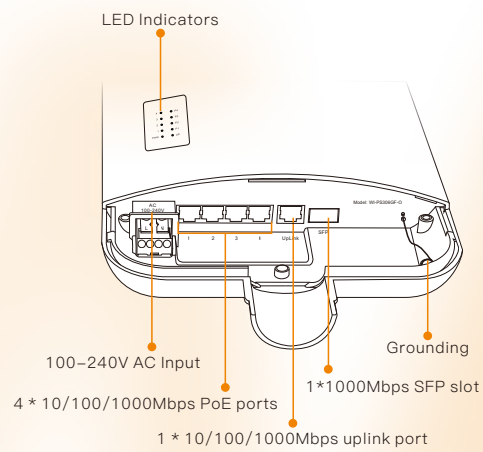


WI-PS306GF-O

Dimensions (mm)



Product Overview

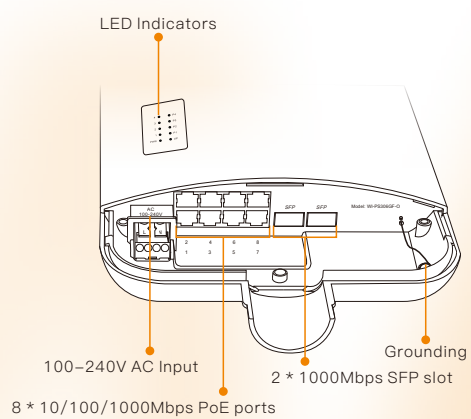


WI-PS309GF-O

Dimensions (mm)



Product Overview

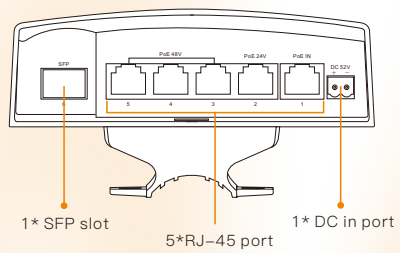


WI-PS306GF-O-DC

Dimensions (mm)



Product Overview



## Package Contents

Welcome to order our products. After purchasing, you will receive:

WI-PS205-O   WI-PS209-O   WI-PS306GF-O   WI-PS309GF-O	
Items	Quantity
Switch	1 pcs
Metal straps	2 pcs
Quick Installation Guide	1 pcs

WI-PS306GF-O-DC	
Items	Quantity
Switch	1 pcs
Metal straps	1 pcs
Quick Installation Guide	1 pcs



Wireless-Tek Technology Limited  
 Address: Biaofan Technology Building 402, Bao'an street,  
 Baoan District, Shenzhen City, Guangdong, China  
 Website: www.wireless-tek.com  
 Tel: 86-0755-32811290  
 Email: sales@wireless-tek.com  
 Technical Support: tech@wireless-tek.com



Technical Support



Cloud Management



Company Website