

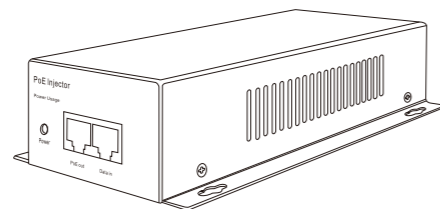
Installation Guide

PoE Injector

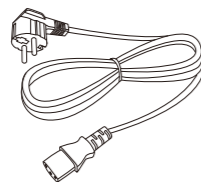
WI-POE58-BT/WI-POE65-2.5G-60W/WI-POE65-2.5G-30W

1. Package Content

Take WI-POE65-2.5G-60W as an example



1 x PoE Injector

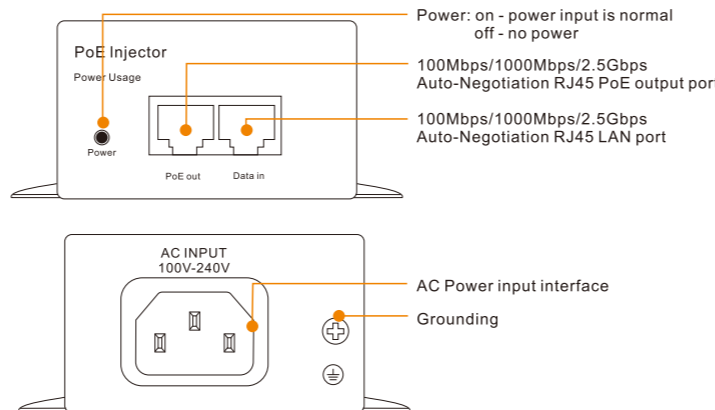


1x Power Cord



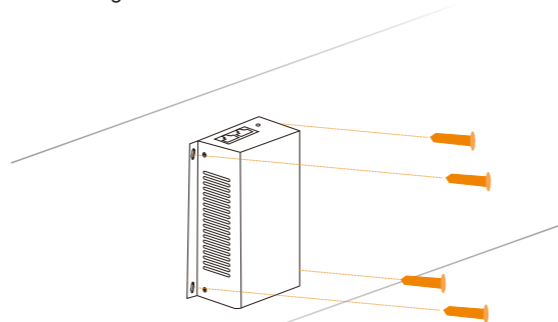
1 x Quick Installation Guide

2. Hardware Introduction

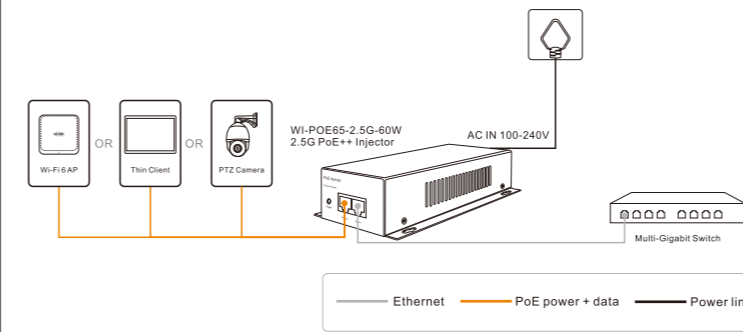


3. Installation Way

Wall-Mounting



4. Application Diagram



1. Connect an Ethernet device to Data in port of the PoE injector.
2. Connect a PoE Powered device to the PoE out port of the PoE injector.
3. Use the AC power cord to power the PoE Injector by AC input port.

WI-POE65-2.5G-60W

- 1 100Mbps/1000Mbps/2.5Gbps Auto-Negotiation RJ45 LAN port
- 1 100Mbps/1000Mbps/2.5Gbps Auto-Negotiation RJ45 PoE port
- Complies with IEEE 802.3bt PoE++ 60W standard
- AC IN 100-240V

WI-POE58-BT

- 1 100Mbps/1000Mbps Auto-Negotiation RJ45 LAN port
- 1 100Mbps/1000Mbps Auto-Negotiation RJ45 PoE port
- Complies with IEEE 802.3bt PoE++ 90W standard
- AC IN 100-240V

WI-POE65-2.5G-30W

- 1 100Mbps/1000Mbps/2.5Gbps Auto-Negotiation RJ45 LAN port
- 1 100Mbps/1000Mbps/2.5Gbps Auto-Negotiation RJ45 PoE port
- Complies with IEEE 802.3bt PoE+ 30W standard
- AC IN 100-240V

Warranty Card

Username	
Address	
Telephone No.	
Purchase Shop	
Purchase Address	
Product Model No.	
Purchase Time	
Serial No.	
Dealer Signature	

- If the product defects within three months after purchase, we will provide you a new product of the same model.
- If the product defects within the three-year warranty period, we will provide the professional maintenance service.
- Proof of purchase and a complete product serial number are required to receive any services guaranteed as part of the limited warranty.
- Any other defects that are not caused by workmanship or product quality, such as natural disaster, water damage, extreme thermal or environmental conditions, sticker damaged, warranty card losing will disqualify the product from limited warranty.



Technical Support



Cloud Management



Company Website

Wireless-Tek Technology Limited
 Address: Room 402 4F, BiaoFan Technology Building, Bao'An Avenue, FuYong Town, Bao'An district, ShenZhen
 Website: www.wireless-tek.com
 Tel: 86-0755-32811290
 Email: sales@wireless-tek.com
 Technical Support: tech@wireless-tek.com