

# Cloud Industrial Switch

WI-PCMS306GF-I | WI-PCMS310GF-I



## Overview

Wi-Tek industrial cloud managed switch provide 4/8 Gigabit PoE RJ-45 ports and 2 Gigabit SFP uplink slots. All RJ-45 ports comply with 802.3af/at PoE (PoE+) standard and output up to 30W PoE power per port.

This series switch supports cloud management which can work with Wi-Tek cloud platform, makes it can be easily and remotely managed. This series switch also supports L2 management functions, such as VLAN, STP/RSTP/MSTP, port mirroring, IGMP, QoS, multicast, ACL, PoE management, ERPS protocol, DHCP, IPv6, etc.

Professional design providing a flexible, easy to use and reliable industrial network solution. Redundant power design with polarity reverse/over-voltage/over-current protection, guarantee the safe power supply. Solid shell, wide operation temperature from  $-40^{\circ}\text{C}$  to  $75^{\circ}\text{C}$ , ensure its stable and reliable.

## Features

### Full Gigabit Interfaces Design

WI-PCMS306GF-I: 4 × 10/100/1000 Base-T PoE+ Ports and 2 × 1000 Base-X SFP ports

WI-PCMS310GF-I: 8 × 10/100/1000 Base-T PoE+ Ports and 2 × 1000 Base-X SFP ports

### $-40\sim 75^{\circ}\text{C}$ Operating Temperature

$-40\sim 75^{\circ}\text{C}$  working temperature design, makes it meet the requirement of harsh application environment.

### Industrial Level Protection Design

6kV surge immunity for power and Ethernet ports, 15kV air discharge and 8kV contact discharge ESD protection, makes it an ideal choice for outdoor application scenario.

### L2 Managed Functions

Support abundant L2 management functions, such as VLAN, STP/RSTP/MSTP, port mirroring, IGMP, QoS, multicast, ACL, PoE management, ERPS protocol, DHCP, IPv6, can meet the requirement of simple industrial project.

### Cloud Management Design

It supports cloud management which can work with Wi-Tek cloud platform, makes it can be easily and remotely managed.

### Multiple Smart DIP Mode

Fast ring: support one-key fast ring configuration

SCP: support one-key broadcast storm suppression configuration.

# Specifications



Model	WI-PCMS306GF-I	WI-PCMS310GF-I
<b>Hardware Specifications</b>		
Downlink Ports	4 x 100/1000Mbps RJ45 ports	8 x 100/1000Mbps RJ45 ports
Uplink Ports	2 x 1000Mbps SFP ports	2 x 1000Mbps SFP ports
Management Port	1 x Console Port	
<b>Performance</b>		
Memory and Flash	128MB DRAM, 16MB Flash	
<b>PoE</b>		
PoE Port	Port 1-4	Port 1-8
PoE Standard	802.3af/at	
PoE Power Supply Type	End-span	
PoE Pin Assignment	1/2(+), 3/6(-)	
PoE Power	30 W max for each port, 120 W Max. (PoE power budget)	30 W max for each port, 185 W Max. (PoE power budget)
<b>Switch Property</b>		
Standards and Protocols	IEEE 802.3 IEEE 802.3u IEEE 802.3ab IEEE 802.3z IEEE 802.3x IEEE 802.1x IEEE802.1q IEEE 802.1p IEEE 802.1d IEEE 802.1w IEEE 802.3ad IEEE802.3af IEEE802.3at	
Forwarding Mode	Store and Forward	
Switching Capacity	12 Gbps	20 Gbps
Packet Forwarding Rate	8.93 Mpps	14.88 Mpps
MAC Address Table	8 k	
Packet Buffer Memory	4.1 Mbit	
Jumbo Frame	10 kB	

Power Supply		
Input Power	Power 1 (Main): 48 ~ 57V DC, Power 2 (Backup): 48 ~ 57V DC	
Power Consumption	Idle: 2 W 100% Traffic Rate with PoE: 122 W	Idle: 2.2 W 100% Traffic Rate with PoE: 187.2 W
Physical Characteristics		
LED Indicators	<p><b>P</b> Off: the device is power off or failed Green On: the device power on is normal</p> <p><b>S</b> Off: device system initialization Blinking: The system is working properly</p> <p><b>Link(Green)</b> Off: ports link down On: ports link up Blinking: data on TX/RX</p> <p><b>PoE(Yellow)</b> Off: PoE not working On: PoE working</p> <p><b>5, 6(Fiber ports indicators )</b> Off: ports link down Green On: ports link up Green Blinking: data on TX/RX</p>	<p><b>P</b> Off: the device is power off or failed Green On: the device power on is normal</p> <p><b>S</b> Off: device system initialization Blinking: The system is working properly</p> <p><b>Link(Green)</b> Off: ports link down On: ports link up Blinking: data on TX/RX</p> <p><b>PoE(Yellow)</b> Off: PoE not working On: PoE working</p> <p><b>9, 10(Fiber ports indicators )</b> Off: ports link down Green On: ports link up Green Blinking: data on TX/RX</p>
	Buttons	<p><b>Fast ring</b> support one-key fast ring configuration</p> <p><b>SCP</b> support one-key broadcast storm suppression configuration</p>
Fan Quantity	Fanless	
Switch Dimensions	115*100*45 mm	
Package Dimensions	242*194*89 mm	
Weight	Net Weight: 0.48 kg	Net Weight: 0.51 kg
	Package Weight: 0.83 kg	Package Weight: 0.86 kg
Installation	Desktop, DIN-rail	
Environmental		
Reliability	Surge Immunity	IEC 61000-4-5 Common mode 6kV Differential mode 2kV
	ESD Protection	IEC 61000-4-2 Contact discharge 8kV Air discharge 15kV

Operating Temperature	-40°C ~ 75°C
Storage Temperature	-40°C ~ 85°C
Operating Humidity	5% ~ 95% (Non-condensation)
Certification	
Certification	CE, FCC, RoHS, UKCA, RCM

Software Features

Spanning Tree	IEEE 802.1D- Spanning Tree	
	IEEE 802.1w- Rapid Spanning Tree	
	IEEE 802.1s- Multiple Spanning Tree	
	BPDU Guard	
	STP Root Guard	
	Loop Detection	
VLAN	Management VLAN	
	Private VLAN	
	Voice VLAN	
	Surveillance-VLAN	
	Q-in-Q (Double Tag)	
	802.1v Protocol VLAN	
	MAC-Based VLAN	
Port	IEEE 802.3ad with LACP(Dynamic)	
	Static Trunk	
	Energy Efficient Ethernet	
	Jumbo Frame	
	Error-Disable	
IGMP Snooping	IGMP Snooping v1/v2/v3	
	MLD Snooping v1/v2	
	MVR	
Loop	ERPS	
	Loopback Detection	
QoS Features	Hardware Queues	
	Class of Service	Port Based
		802.1p
		CoS
DSCP		

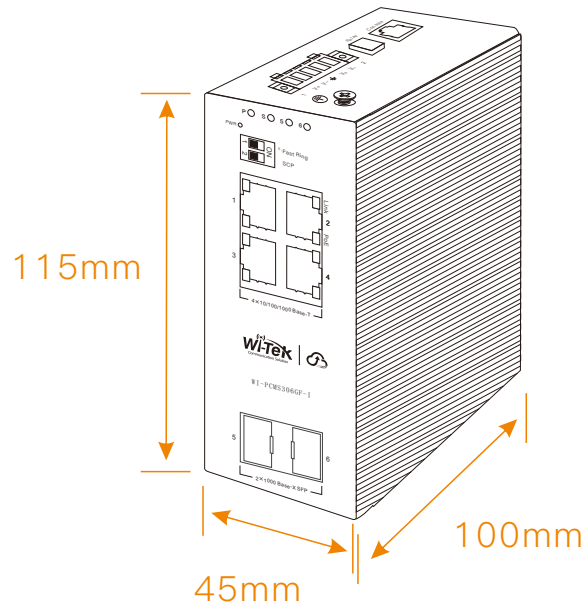


Qos Features	Class of Service	IP Precedence
		TCP/UDP (IPv4/IPv6)
	Rate Limiting	Ingress
		Egress
	Priority Queue Scheduling	WRR
		Strict Priority
		DSCP & CS
IPv4 QoS (QCEs)		
IPv6 QoS (QCEs)		
Security	Port Security	
	Port Isolation	
	IEEE802.1x AAA	
	ACLs	L2+/L3/L4
		IPv6 Support
		Management Access List
	Management ACL/Management ACE	
	IP Source Guard (IP-MAC-Port-VLAN Binding)	
	IP Source Guard (IP-MAC-Port Binding)	
	Dynamic ARP Inspection	
	Storm Control	
	RADIUS/TACACS+	
	RADIUS Authentication (RFC2138)	
	DDoS Prevention	
	HTTPs and SSL (Secured Web)	
	SSH v1.5/v2.0 (Secured Telnet Session)	
DHCP Snooping		
DHCP Relay		
Management	SNMP (v1, v2c, v3)	
	RMON ( 1,2,3 & 9 groups)	
	Software Upgrade	
	Configuration Export/Import	
	DHCP	Client

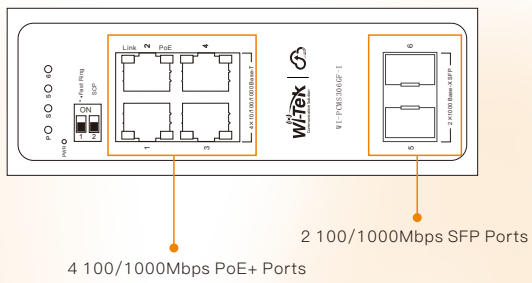
Management	DHCP	Option 82
	Event/Error Log	Syslog
	Management Access Filtering	Console
		SNMP
		HTTP/HTTPS
		Telnet
	Port Mirroring	
	LLDP (IEEE802.1AB)	
	LLDP-MED	
	UDLD	
DNS Client		
Traceroute		
Ping		
Management	Cable Test	
	DDMI	
	NTP/ SNTP (RFC2030)	
IPv6 Support	Dual IPv6/IPv4 stack	
	IPv6 Web/SSL	
	IPv6 SNTP (Simple Network Time Protocol)	
	IPv6 Telnet / SSH	
	IPv6 Ping/Traceroute	
	IPv6 TFTP	
	IPv6 RADIUS/TACACS+	
	IPv6 SNMP	

PCMS306GF-I

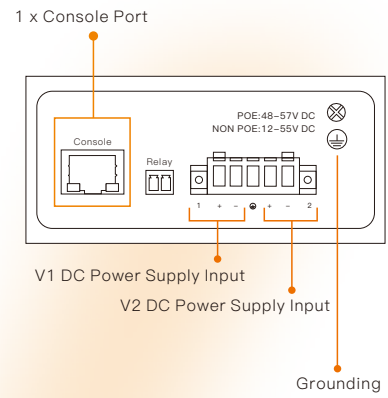
Dimensions (mm)



Front Panel

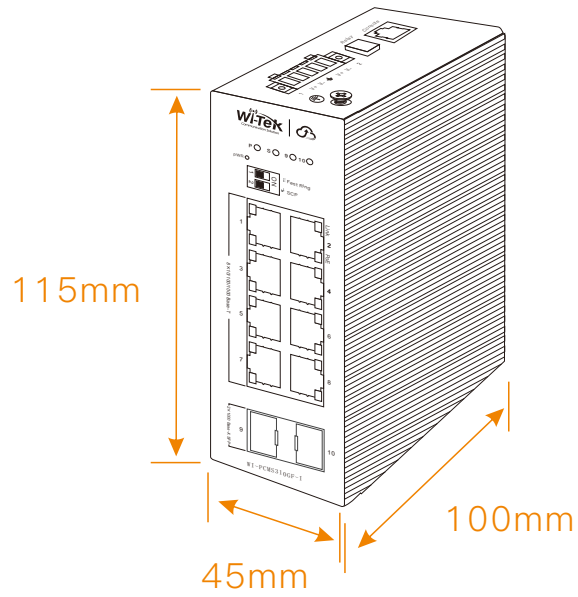


Side Panel

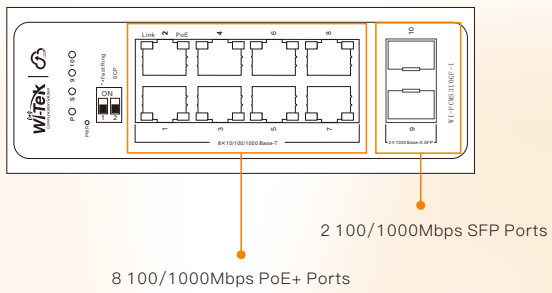


PCMS310GF-I

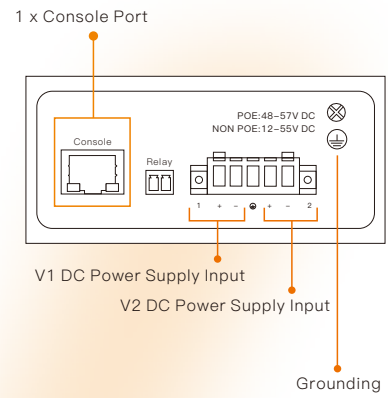
Dimensions (mm)



Front Panel



Side Panel



## Package Contents

Welcome to order our products. After purchasing, you will receive:

Items	Quantity
Switch	1 pcs
RJ-45 to Serial Port Cable	1 pcs
Terminal Block	1 pcs
Quick Installation Guide	1 pcs



Wireless-Tek Technology Limited

Address: Biaofan Technology Building 402, Bao'an street,  
Baoan District, Shenzhen City, Guangdong, China

Website: [www.wireless-tek.com](http://www.wireless-tek.com)

Tel: 86-0755-32811290

Email: [sales@wireless-tek.com](mailto:sales@wireless-tek.com)

Technical Support: [tech@wireless-tek.com](mailto:tech@wireless-tek.com)



Technical Support



Cloud Management



Company Website