

DHI-VTH5123H-W

2-wire Wi-Fi Hybrid Indoor Monitor



EACH

Technical Specification

System

Main Processor	Embedded Processor
Operating System	Embedded operating system
Network Protocol	UDP;TCP;IPv4;DNS;RTSP;RTP

Basic

Screen Type	Capacitive Touchscreen
Display Screen	7" TFT
Screen Resolution	1024 (H) × 600 (V)
Audio Compression	G.711a; G.711u; PCM
Audio Input	1
Audio Output	Built-in speaker
Audio Mode	Two-way audio with VTO (half-duplex); Two-way audio with app (full-duplex)
Audio Enhancement	Echo suppression/digital noise reduction
Audio Bit Rate	16KHz; 16 Bit

Function

Leave Videos	Yes (SD card needed)
DND Mode	Do not disturb period can be set; Do not disturb mode can be set.
Number of Extensions	5
Wi-Fi	Yes
Wireless Standard	IEEE802.11b/802.11g/802.11n
Wireless Frequency Range	2.4 GHz
Storage	Micro SD card (up to 64 GB)

- 7" TFT capacitive touch screen.
- Offers video intercom that communicates with VTOs through half-duplex, and the app through full-duplex.
- Supports recording videos and capturing snapshots. (SD card is required)
- 6-channel alarm input and 1-channel alarm output.
- The app can be used to receive calls and alarm notifications.
- Supports surface mount.
- Connects to HDCVI camera.



Port

RS-485	1
Alarm Input	6
Alarm Output	1
Power Output	1 (12 V, 200 mA)
Door Bell	Yes (use the alarm input port)

Performance

Casing Material	PC + ABS
-----------------	----------

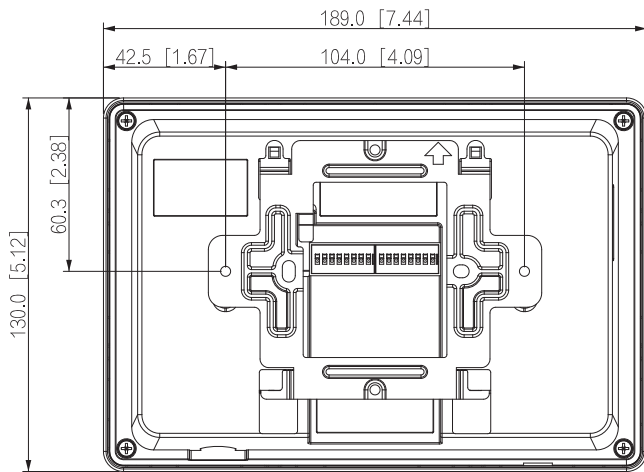
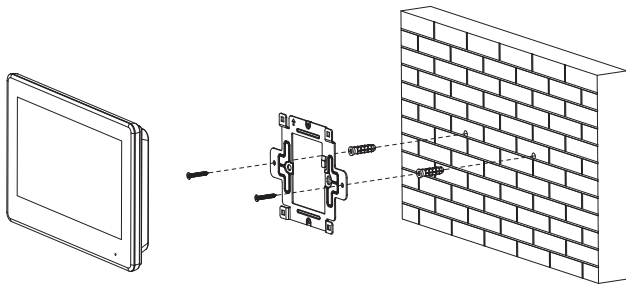
General

Appearance Color	White
Power Supply	2-wire Controller
Power Adapter	Optional
Installation	Surface Mount
Certifications	CE; FCC
Accessory	Included: Power cord, 485 and Power output ribbon cable, alarm ribbon cable, bracket, branch terminal Sold separately: 2-wire controller
Product Dimensions	130 mm × 189 mm × 23.9 mm (5.12" × 7.44" × 0.94")
Operating Temperature	-10 °C to +55 °C (14 °F to +131 °F)
Operating Humidity	10%–95% (RH)
Operating Altitude	0 m–3000 m (0 ft – 9842.52 ft)
Power Consumption	≤ 4 W (standby), ≤ 10 W (working)
Gross Weight	0.370 kg (0.82 lb)
Storage Temperature	-40 °C to +70 °C (-40 °F to +158 °F)
Storage Humidity	95% (RH), (non-condensing)

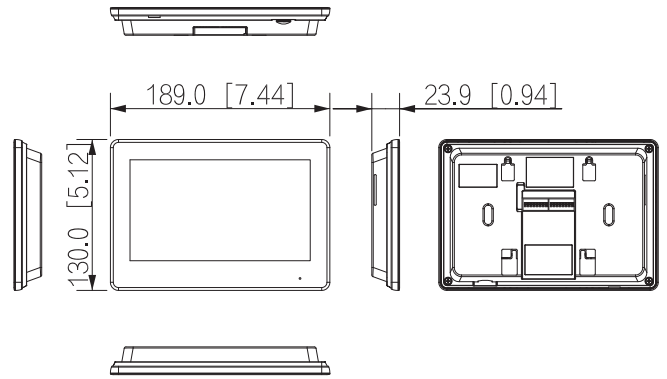
Ordering Information

Type	Model	Description
VTH	DHI-VTH5123H-W	2-wire Wi-Fi Hybrid Indoor Monitor
Accessories	VTNC1003C	2-wire Controller[sold separately]

Installation



Dimensions (mm[inch])



Application

