

Applicable Model

X915

Drawing Title

Intercom Panel

Drawing Unit

mm

Drawing Scale

Not to scale

**DRAFT
SUBJECT TO
CHANGE**

Last Revised

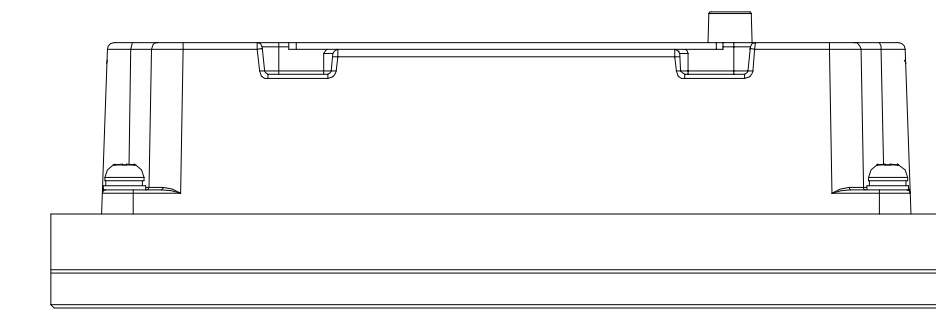
Sept. 28, 2021

Drawing Version

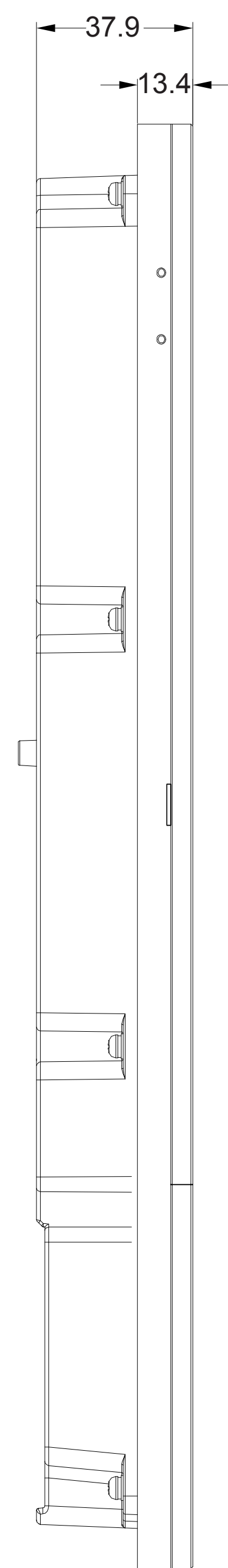
V1.1

Page

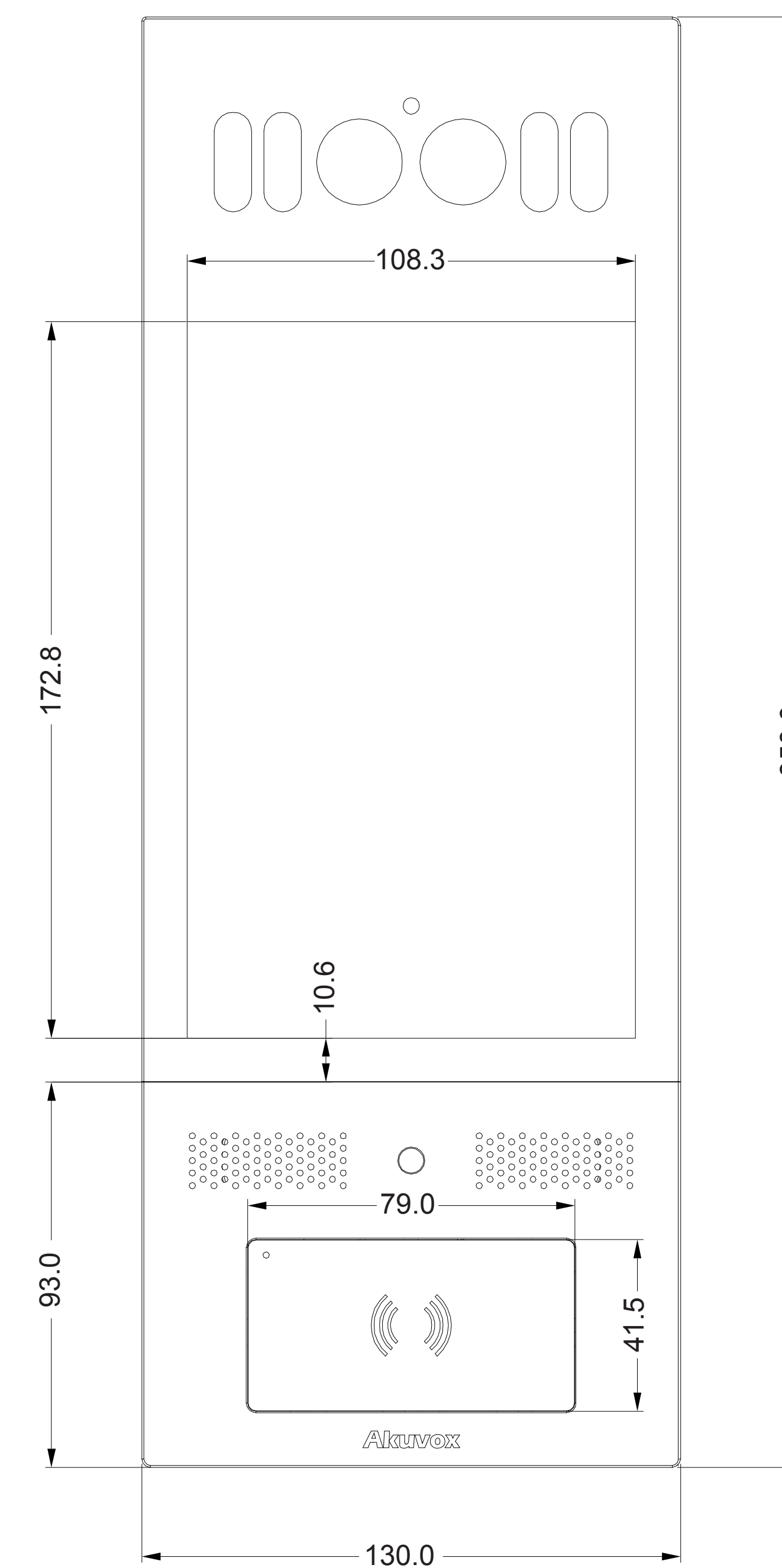
1 of 9



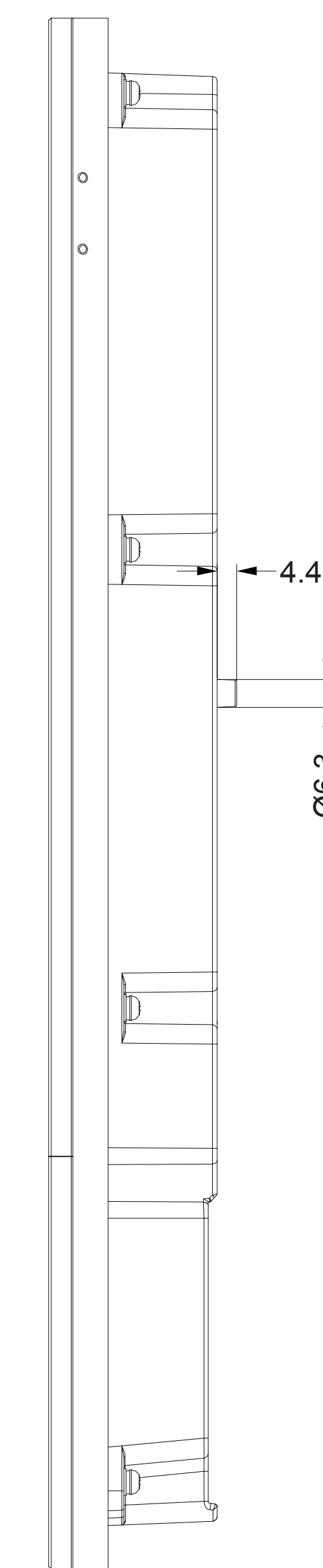
5 TOP VIEW



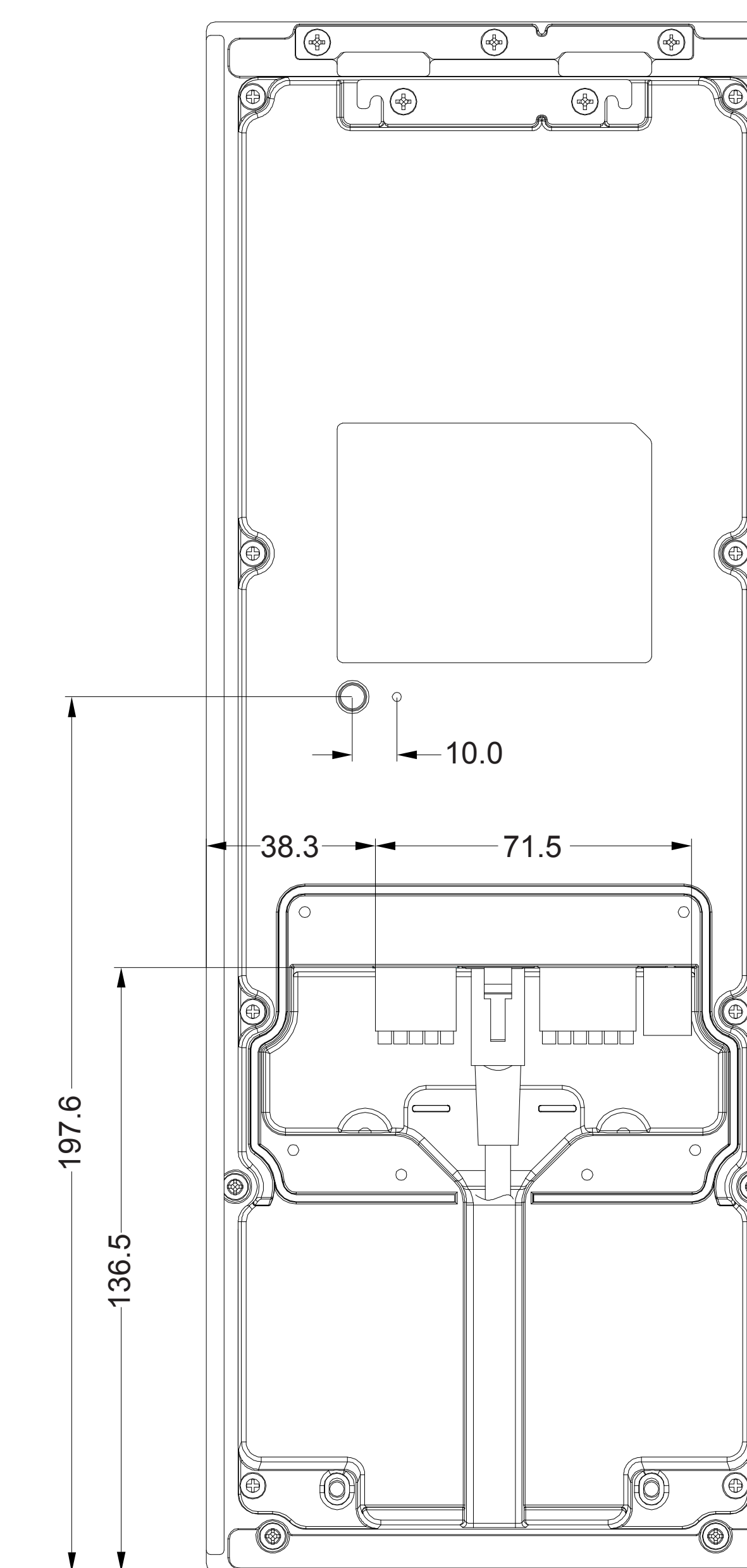
2 RIGHT VIEW



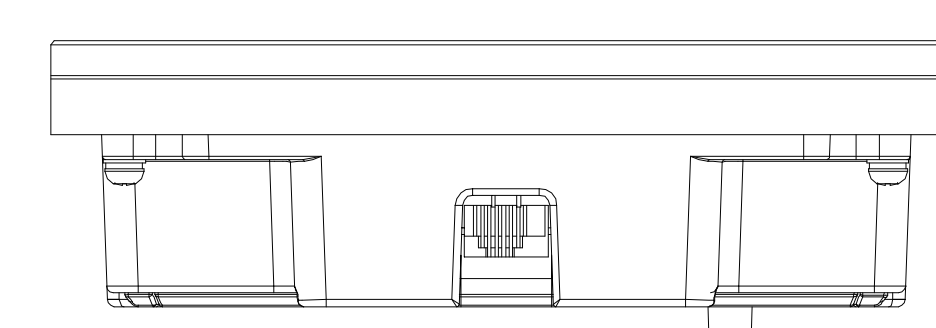
1 FRONT VIEW



3 LEFT VIEW



4 BACK VIEW



6 BOTTOM VIEW

Applicable Model

X915

Drawing Title

Wall Mounting Bracket

Drawing Unit

mm

Drawing Scale

Not to scale

**DRAFT
SUBJECT TO
CHANGE**

Last Revised

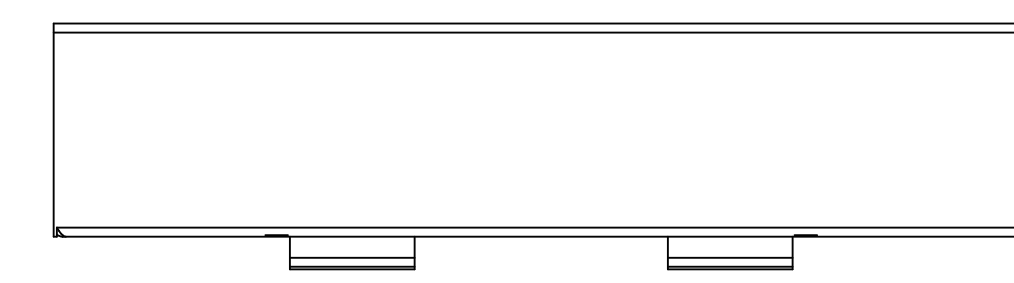
Sept. 28, 2021

Drawing Version

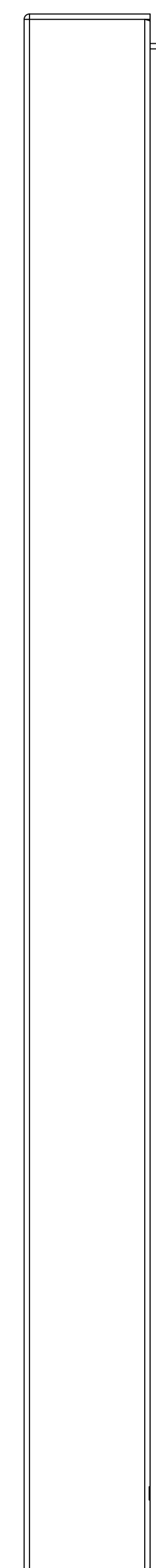
V1.1

Page

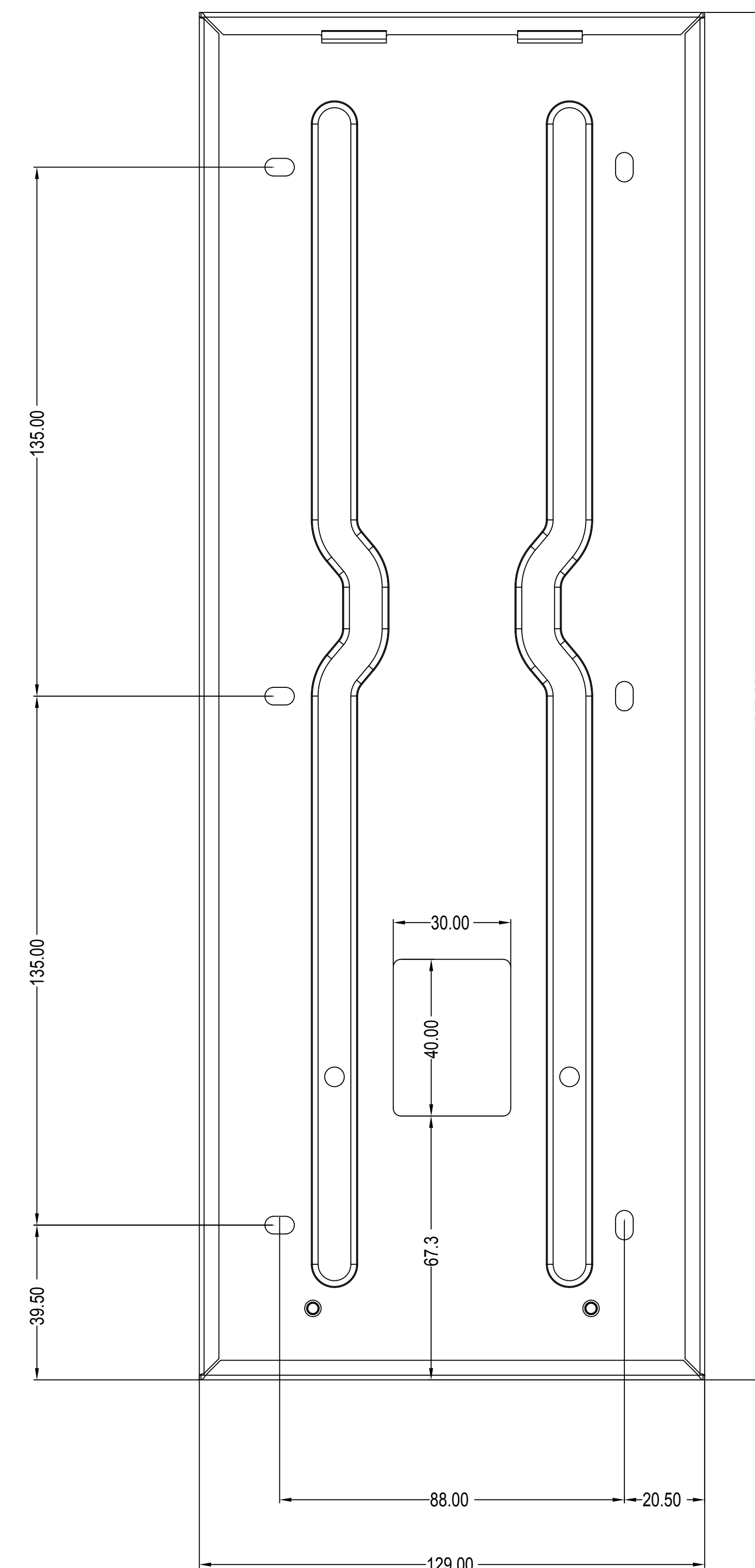
2 of 9



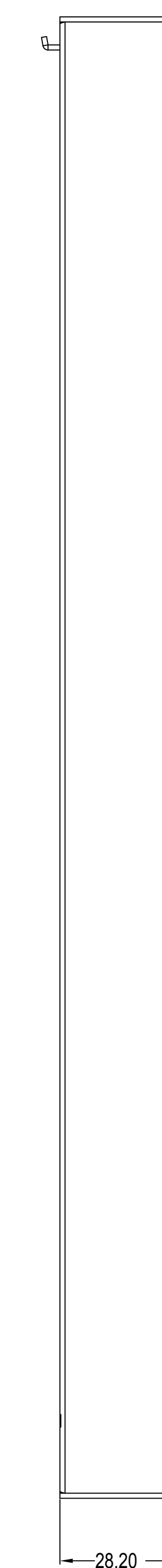
5 TOP VIEW



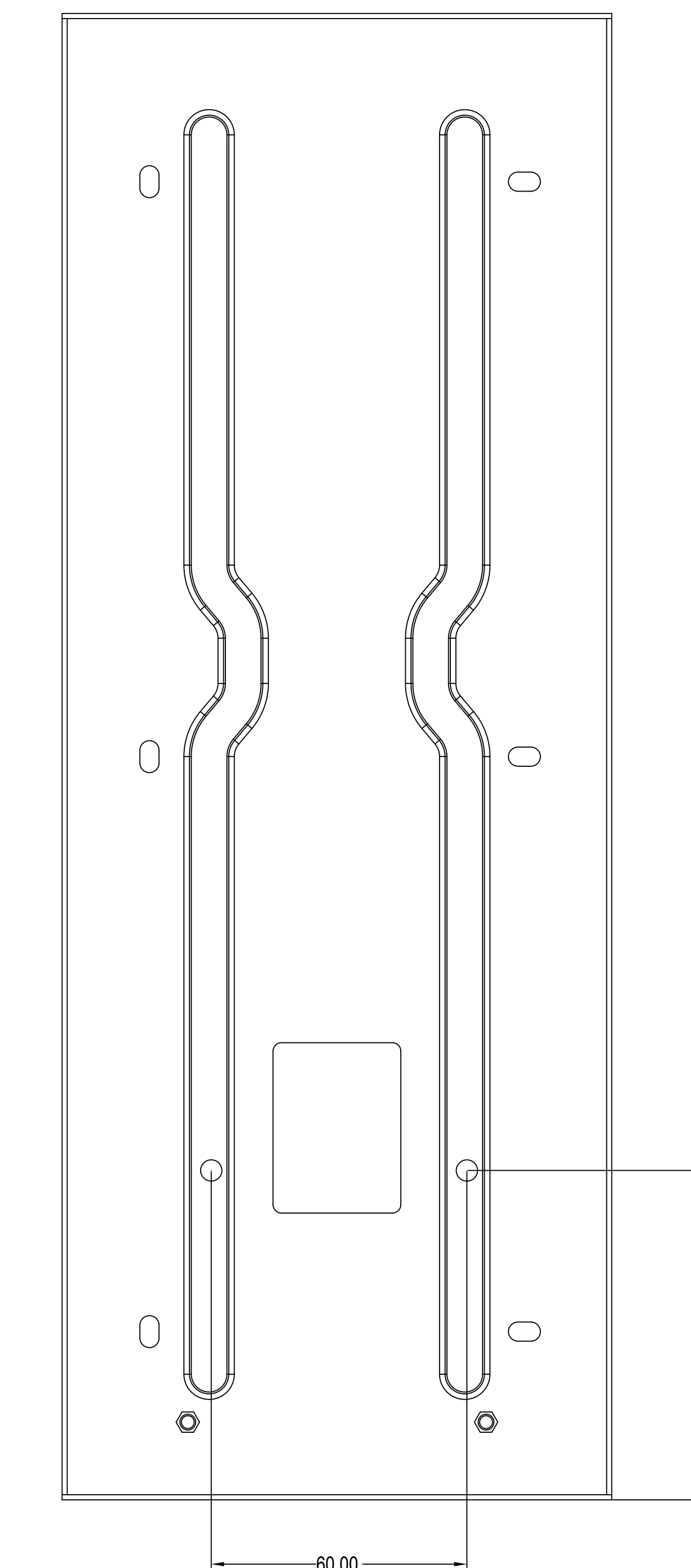
2 RIGHT VIEW



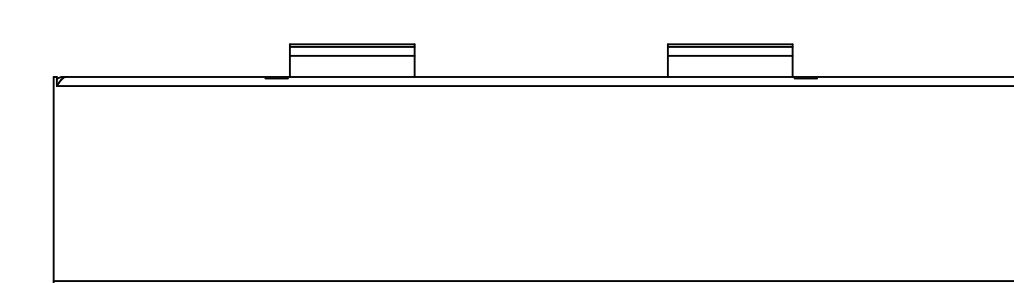
1 FRONT VIEW



3 LEFT VIEW



4 BACK VIEW



6 BOTTOM VIEW

Applicable Model
X915

Drawing Title
Placement

Drawing Unit
mm

Drawing Scale
Not to scale

**DRAFT
SUBJECT TO
CHANGE**

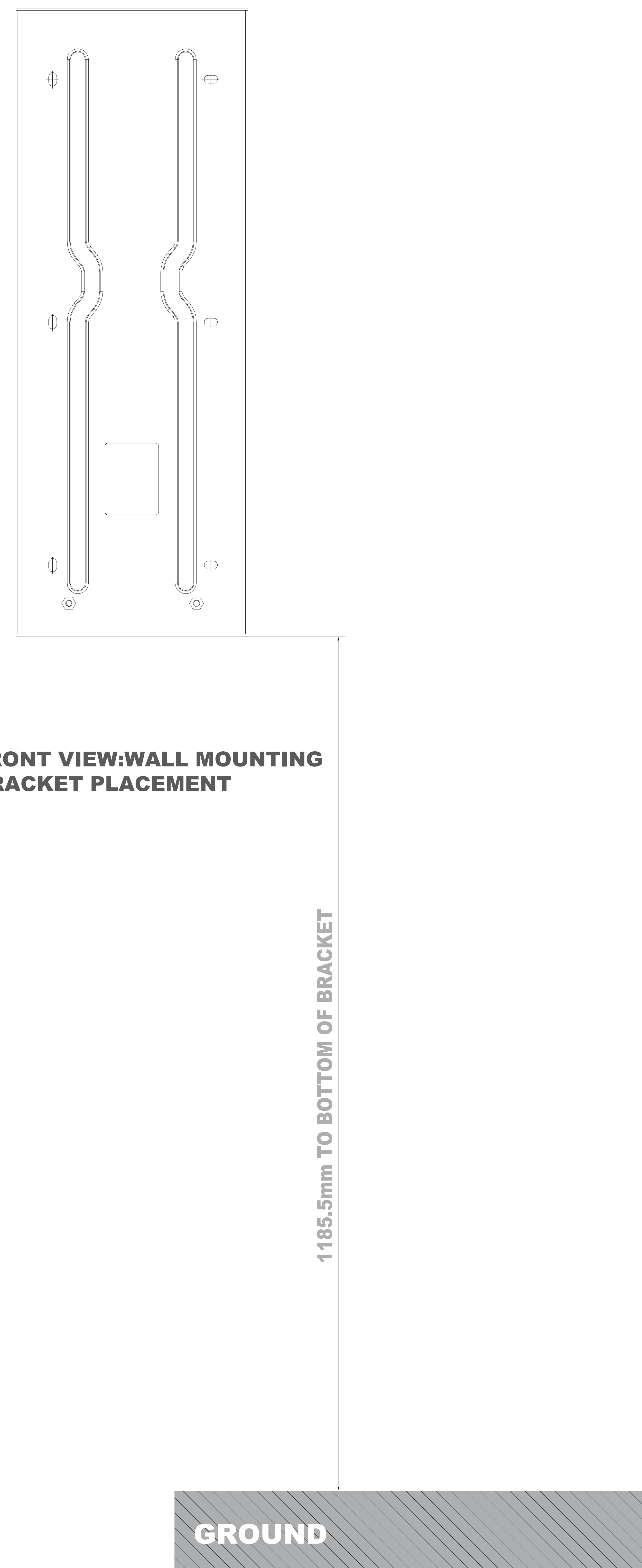
Last Revised
Sept. 28,2021

Drawing Version
V1.1

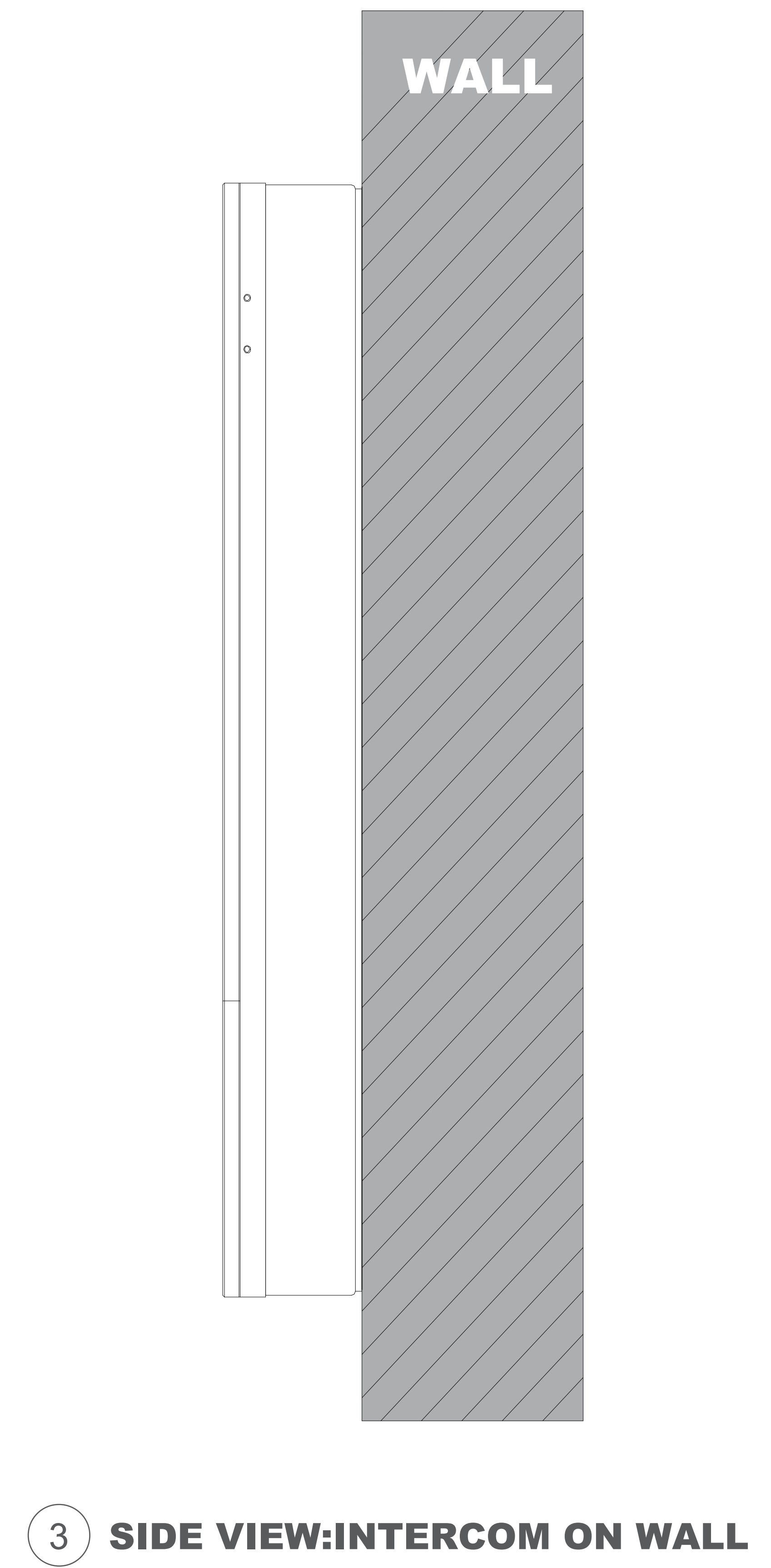
Page
3 of 9



① **INTERCOM PANEL FRONT VIEW**



② **FRONT VIEW:WALL MOUNTING BRACKET PLACEMENT**



③ **SIDE VIEW:INTERCOM ON WALL**

Applicable Model

X915

Drawing Title

Flush Mounting Box

Drawing Unit

mm

Drawing Scale

Not to scale

**DRAFT
SUBJECT TO
CHANGE**

Last Revised

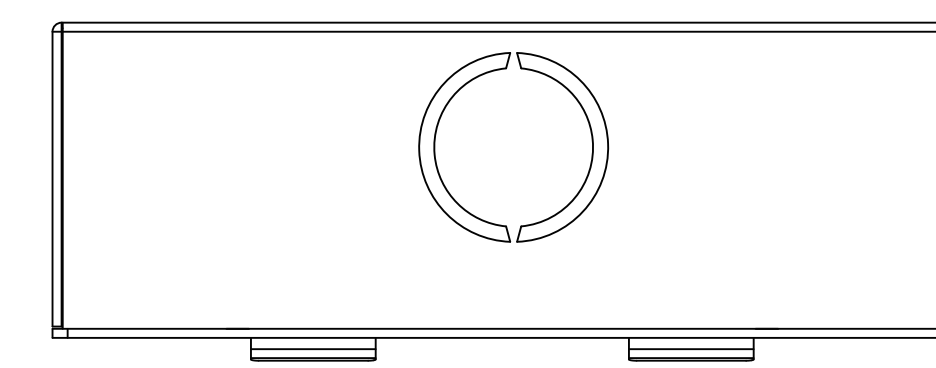
Sept. 28, 2021

Drawing Version

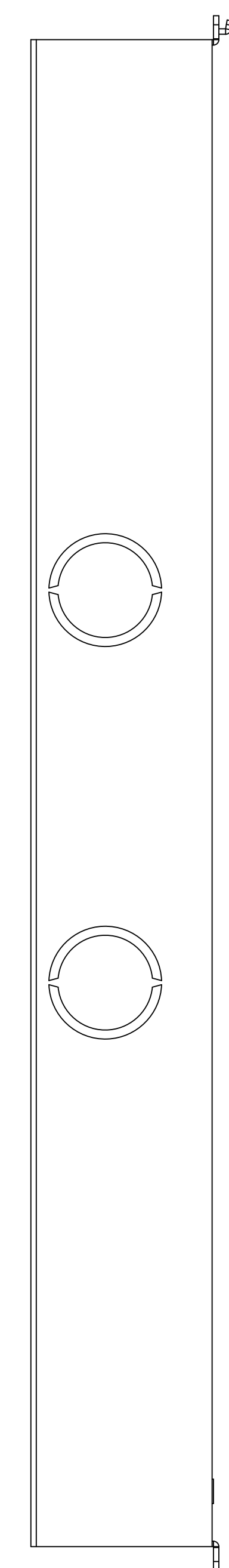
V1.1

Page

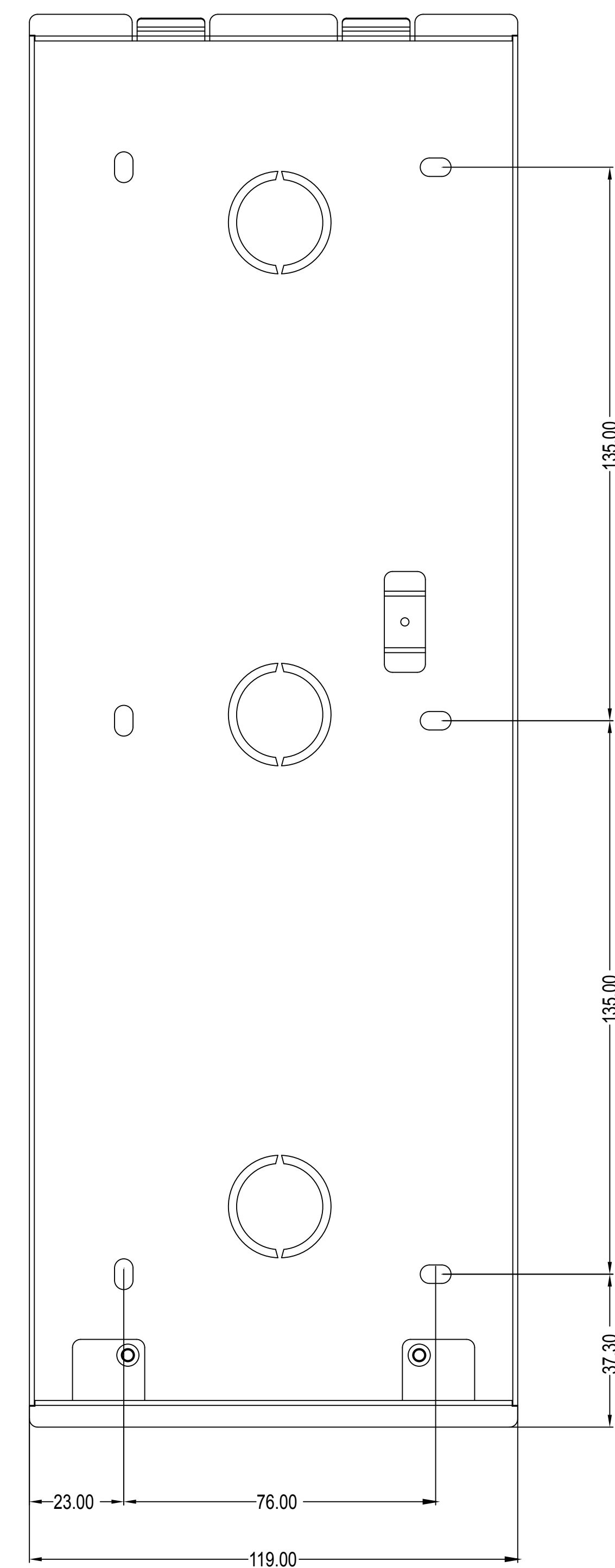
4 of 9



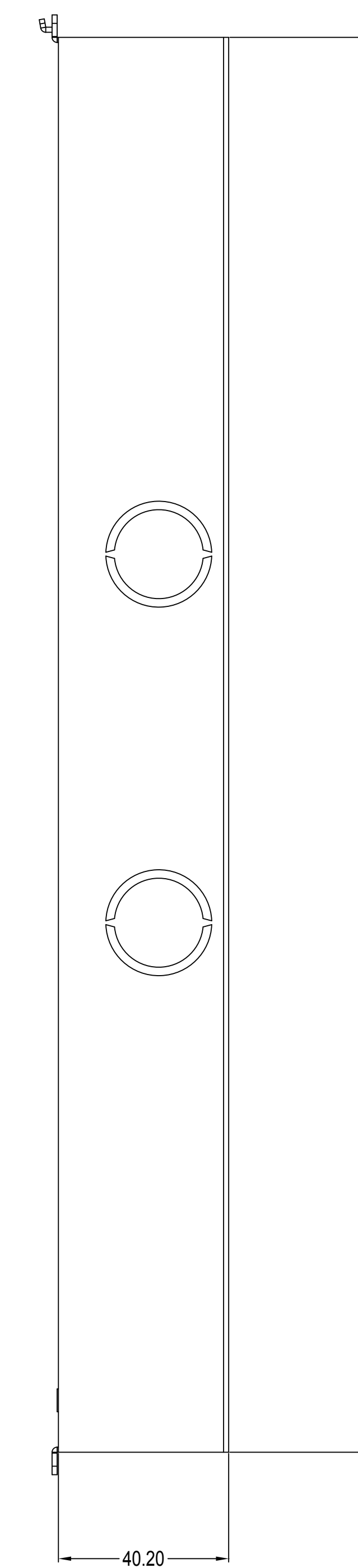
5 TOP VIEW



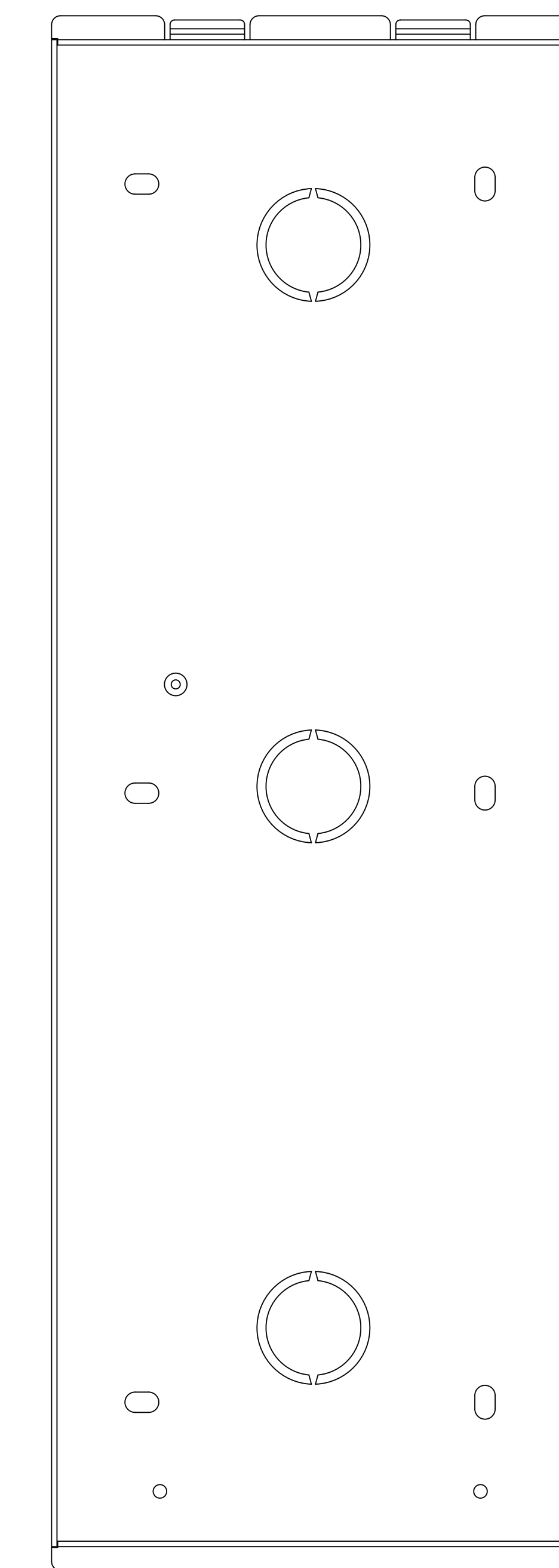
2 RIGHT VIEW



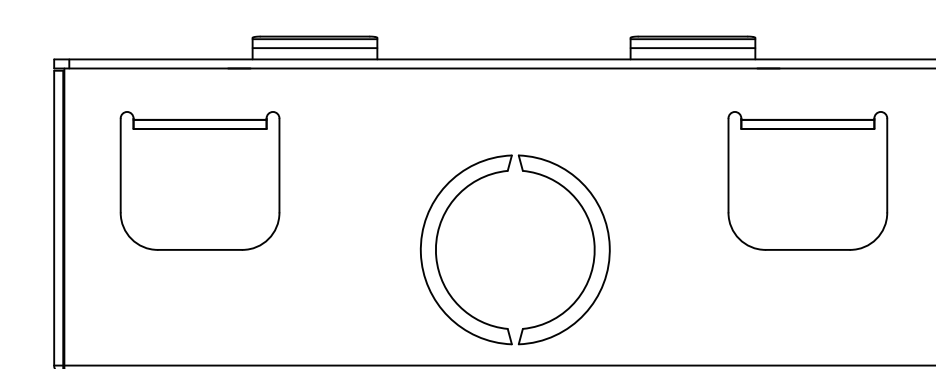
1 FRONT VIEW



3 LEFT VIEW



4 BACK VIEW



6 BOTTOM VIEW

Applicable Model
X915

Drawing Title
Placement

Drawing Unit
mm

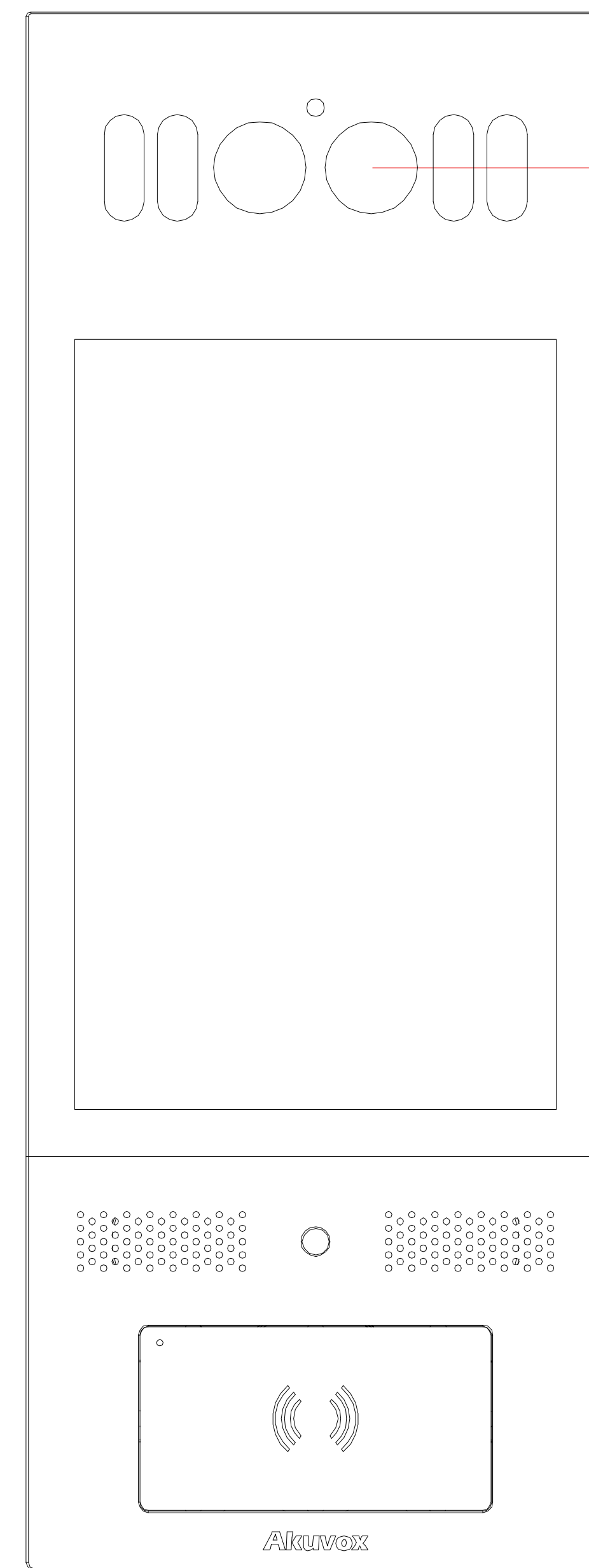
Drawing Scale
Not to scale

**DRAFT
SUBJECT TO
CHANGE**

Last Revised
Sept. 28,2021

Drawing Version
V1.1

Page
5 of 9

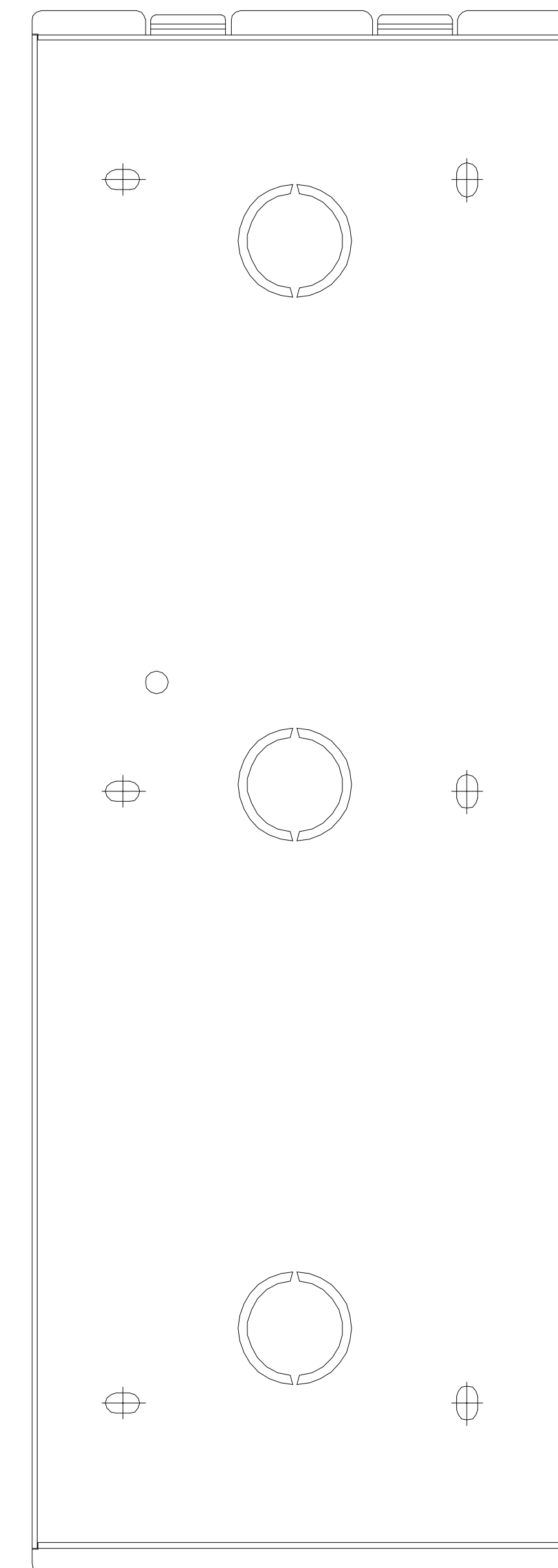


① INTERCOM PANEL FRONT VIEW

1185mm TO BOTTOM OF PANEL

1500mm TO CENTER OF CAMERA

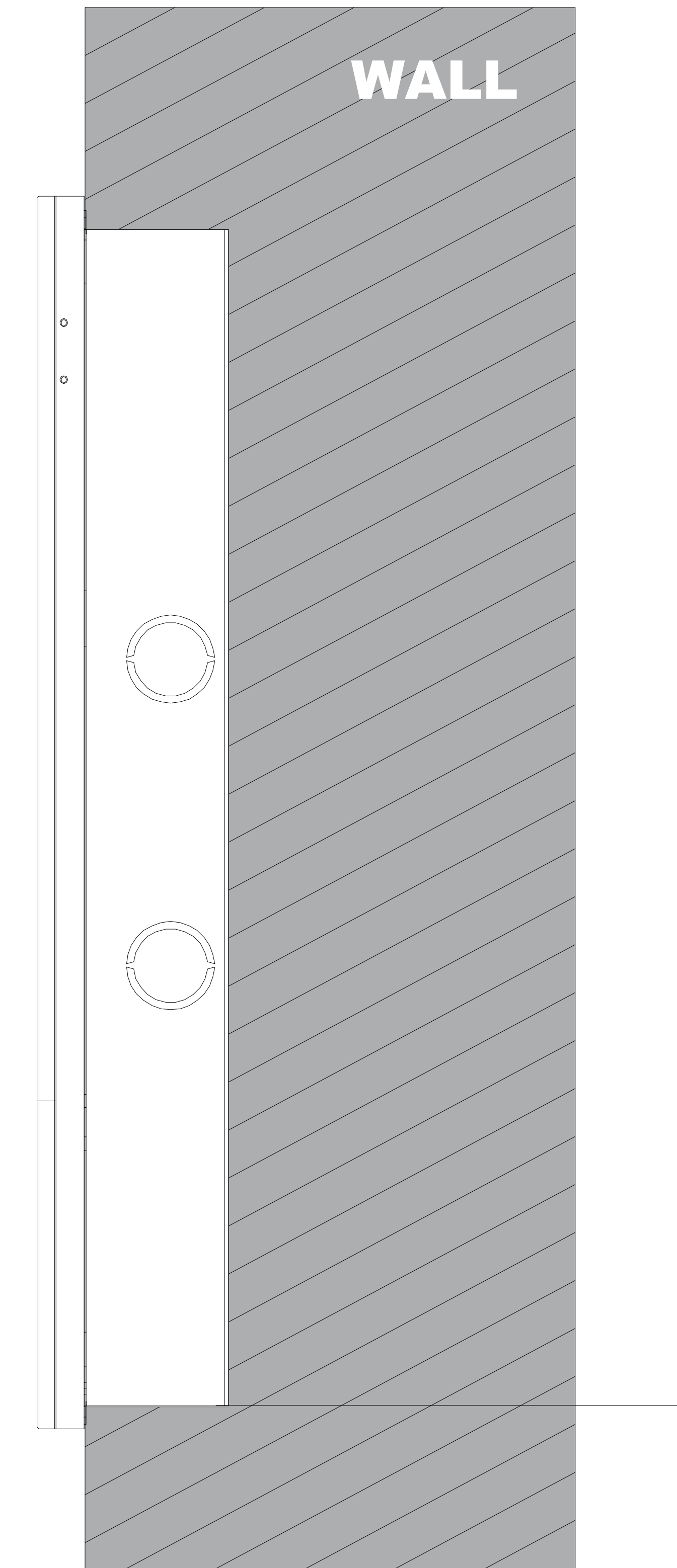
GROUND



② FRONT VIEW:FLUSHING MOUNTING BOX PLACEMENT

1186mm TO BOTTOM OF BRACKET

GROUND



③ SIDE VIEW:INTERCOM IN WALL

1191.5mm TO BOTTOM OF BRACKET

GROUND

Applicable Model

X915

Drawing Title

On-Wall Mounting
Rain Cover

Drawing Unit

mm

Drawing Scale

Not to scale

**DRAFT
SUBJECT TO
CHANGE**

Last Revised

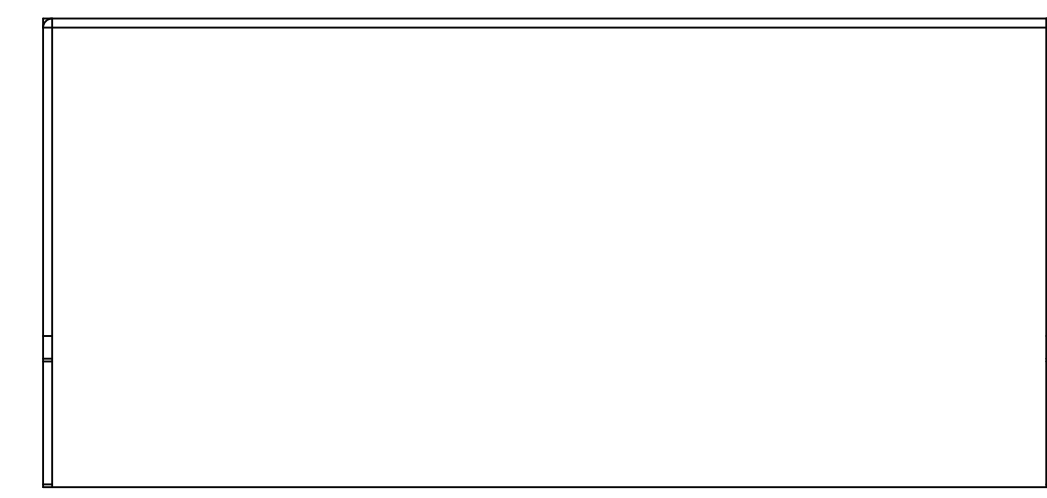
Sept. 28,2021

Drawing Version

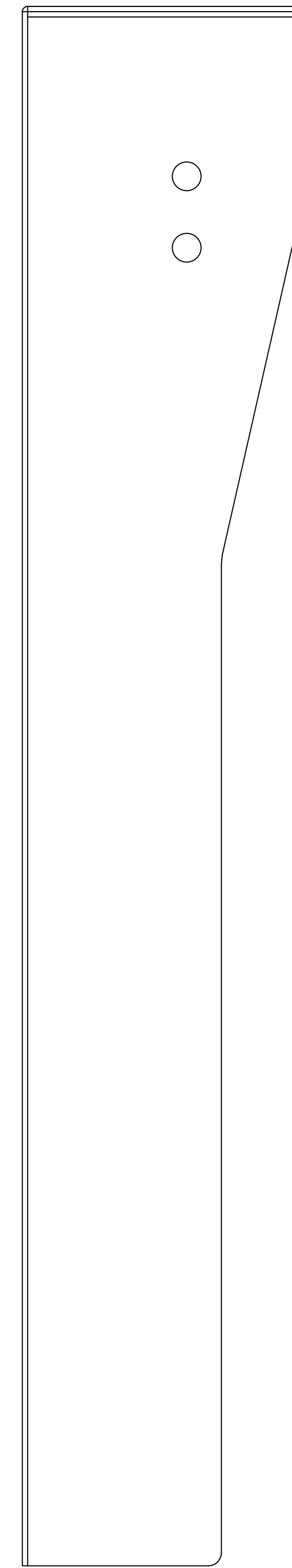
V1.1

Page

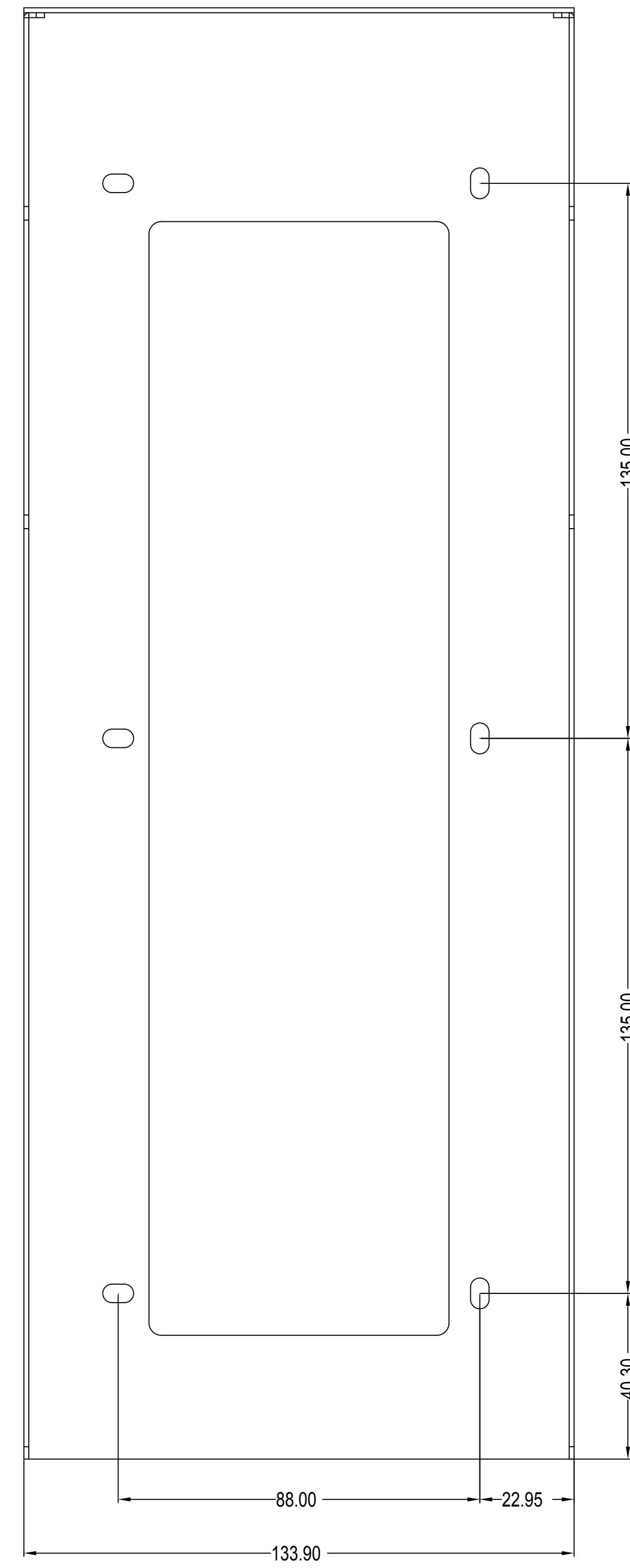
6 of 9



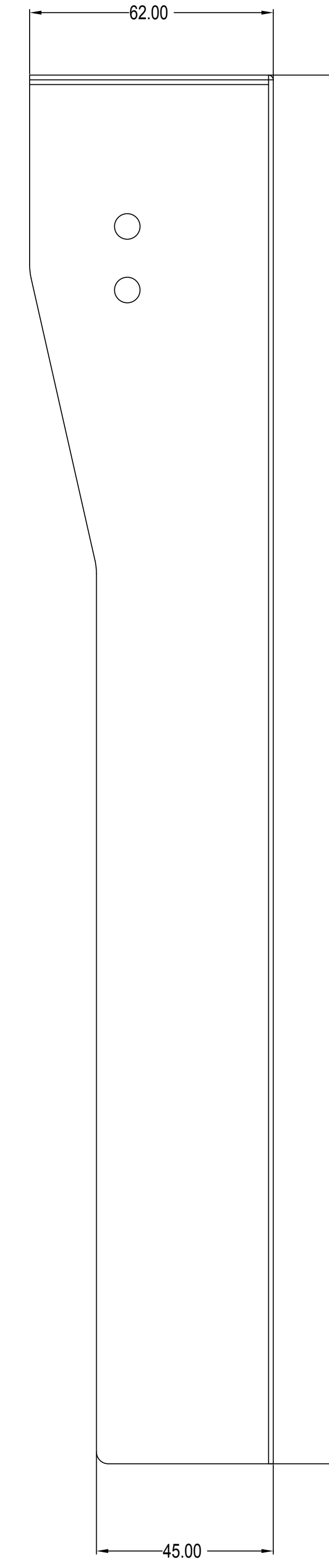
5 **TOP VIEW**



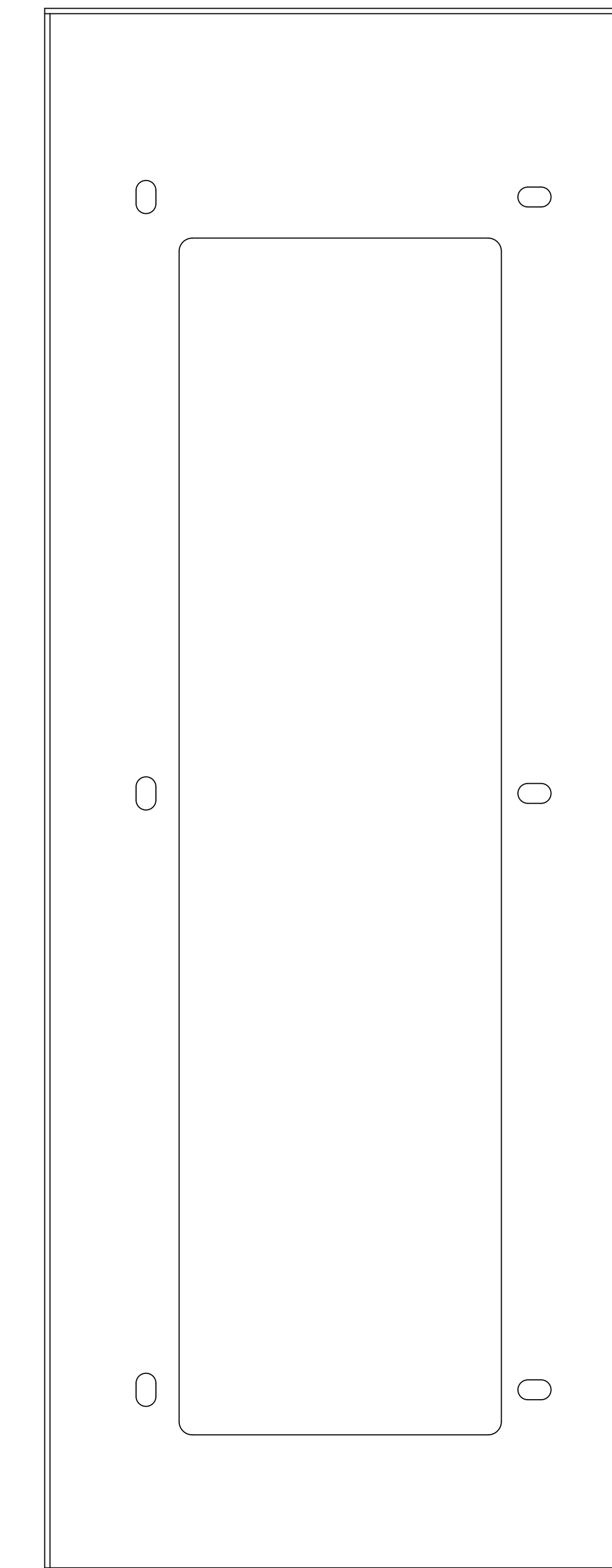
2 **RIGHT VIEW**



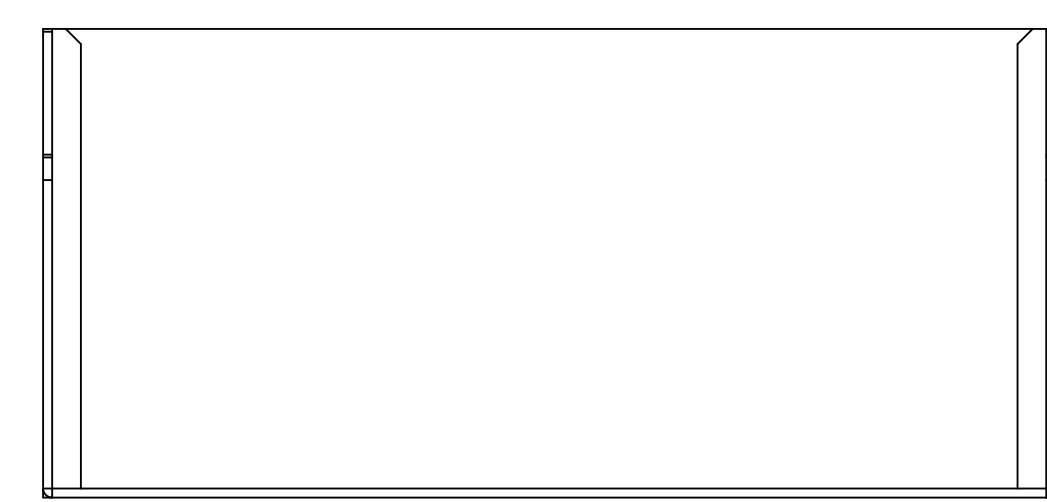
1 **FRONT VIEW**



3 **LEFT VIEW**



4 **BACK VIEW**



6 **BOTTOM VIEW**

Applicable Model
X915

Drawing Title
Placement

Drawing Unit
mm

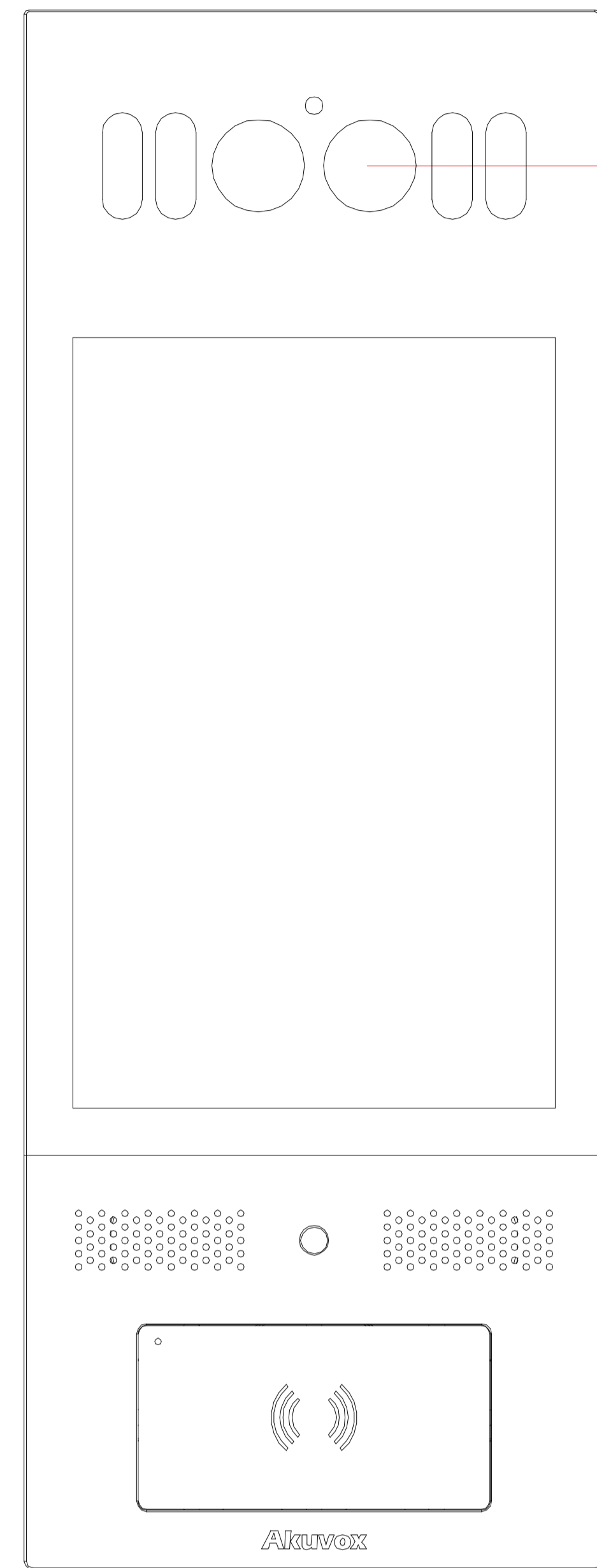
Drawing Scale
Not to scale

**DRAFT
SUBJECT TO
CHANGE**

Last Revised
Sept. 28, 2021

Drawing Version
V1.1

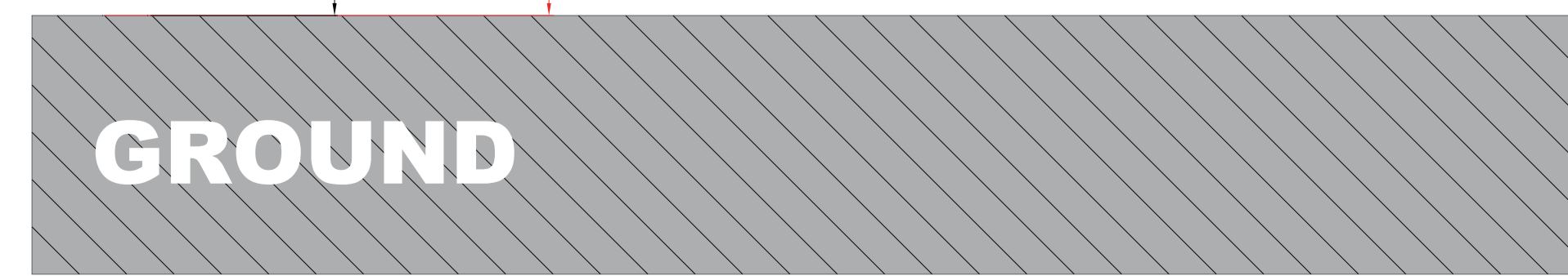
Page
7 of 9



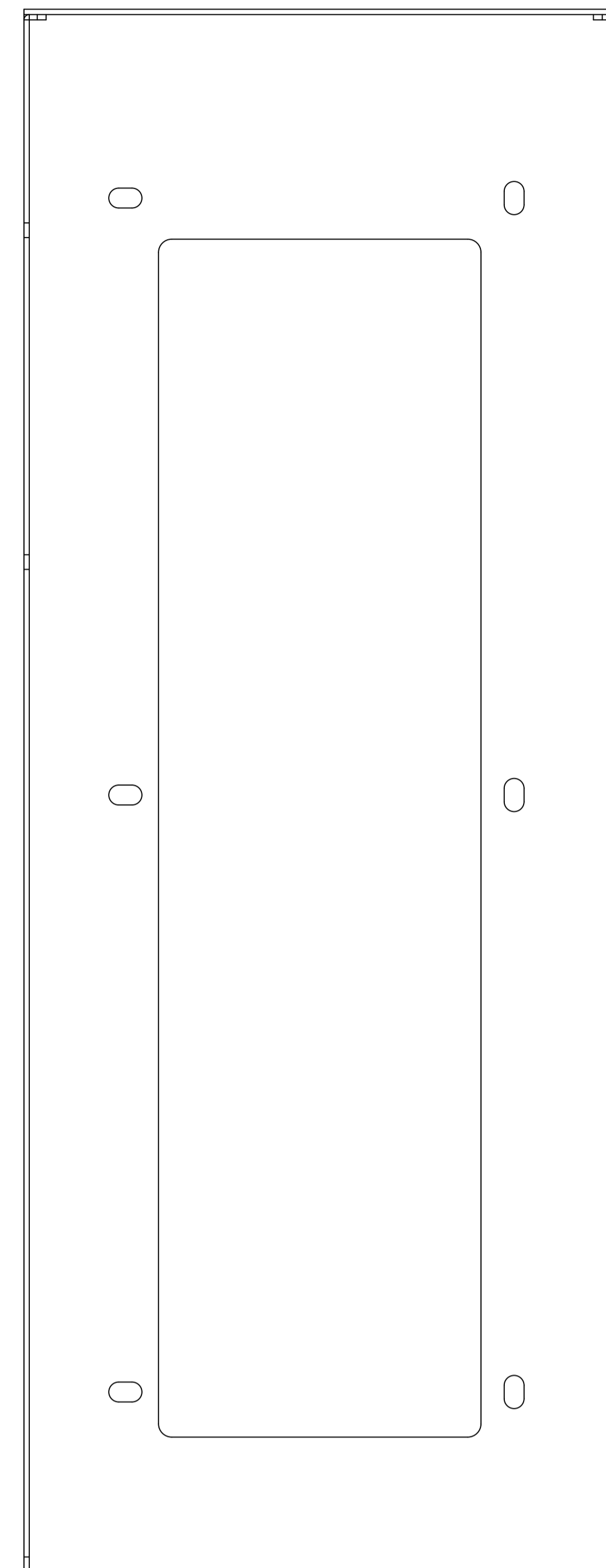
① **INTERCOM PANEL FRONT VIEW**

1185mm TO BOTTOM OF PANEL

1500mm TO CENTER OF CAMERA

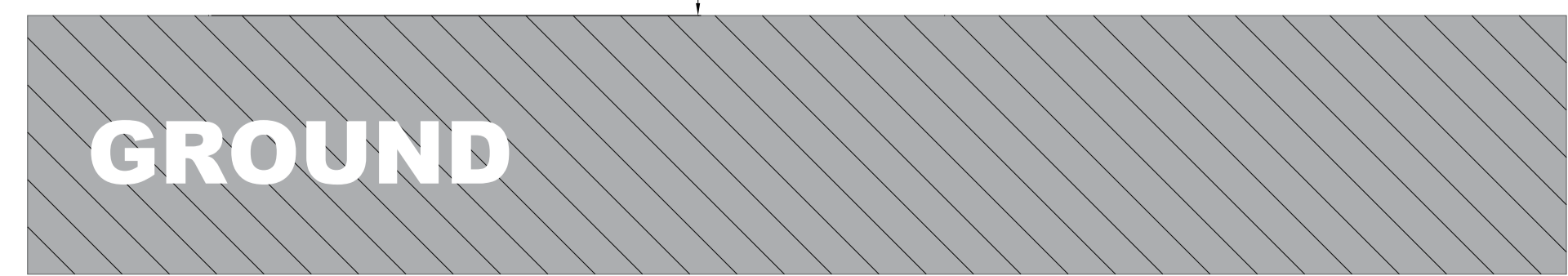


GROUND

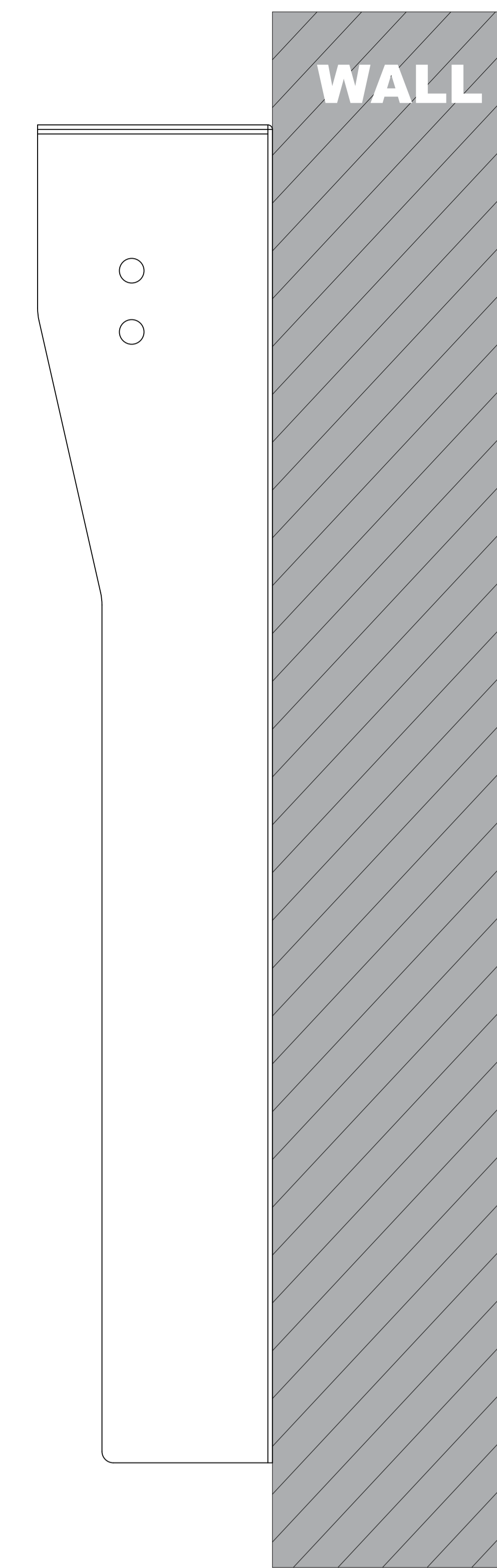


② **FRONT VIEW:WALL MOUNTING
RAIN COVER PLACEMENT**

1185mm TO BOTTOM OF BRACKET



GROUND



③ **SIDE VIEW:INTERCOM ON WALL**

Applicable Model

X915

Drawing Title

In-Wall Mounting
Rain Cover

Drawing Unit

mm

Drawing Scale

Not to scale

**DRAFT
SUBJECT TO
CHANGE**

Last Revised

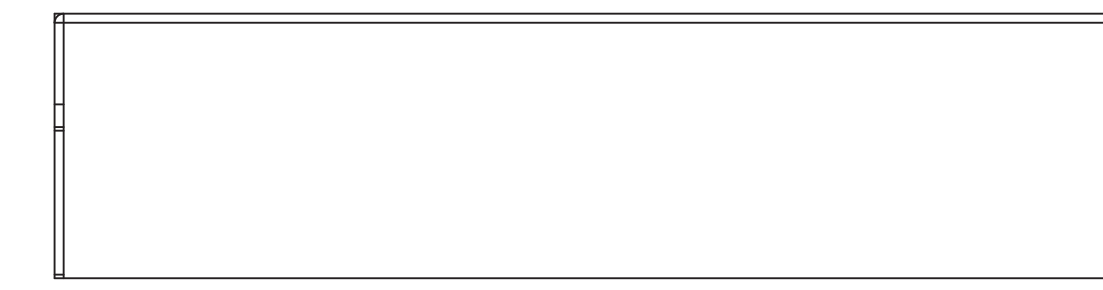
Sept. 28, 2021

Drawing Version

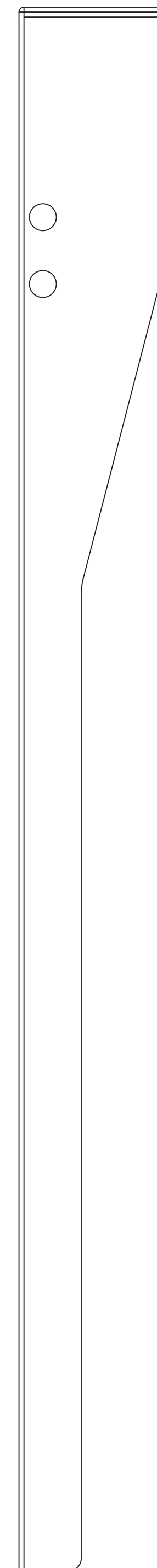
V1.1

Page

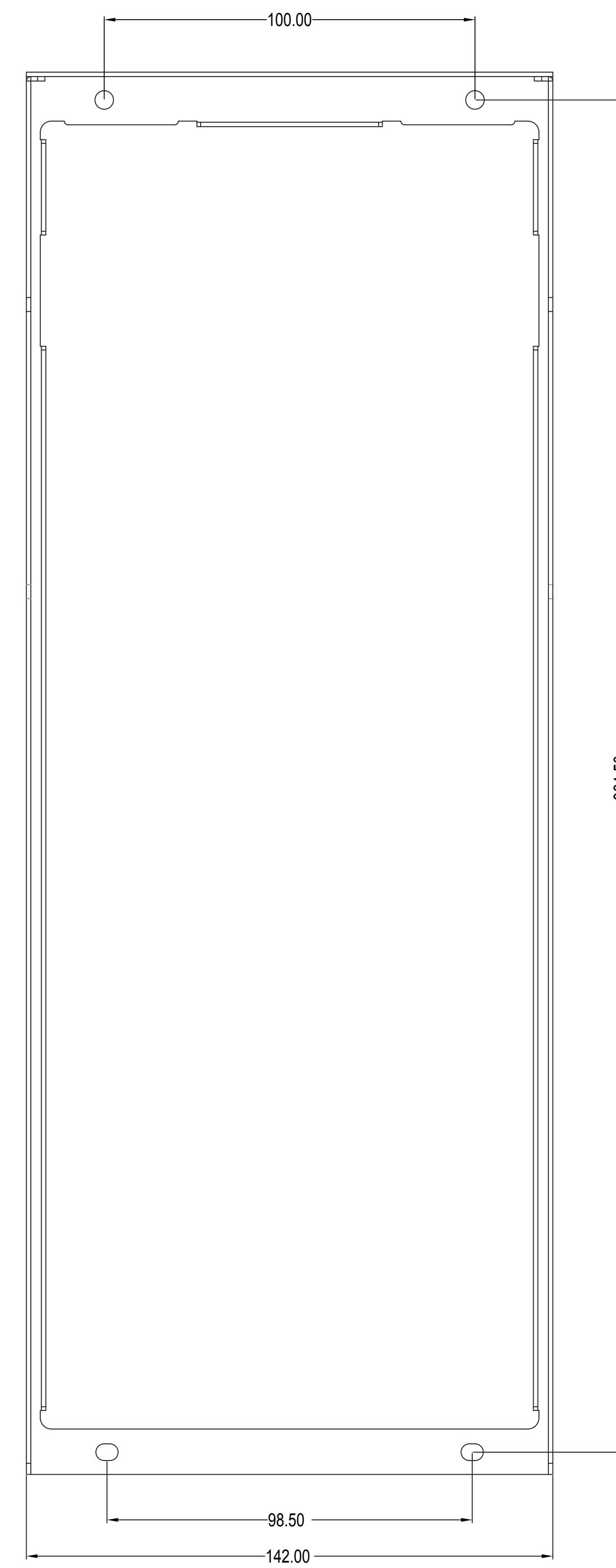
8 of 9



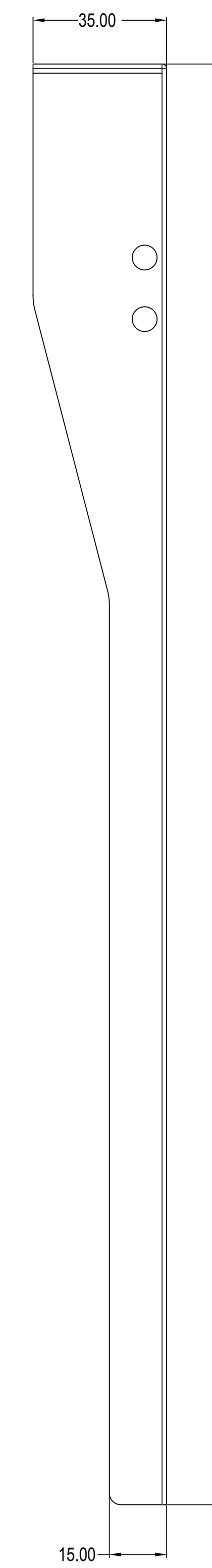
5 TOP VIEW



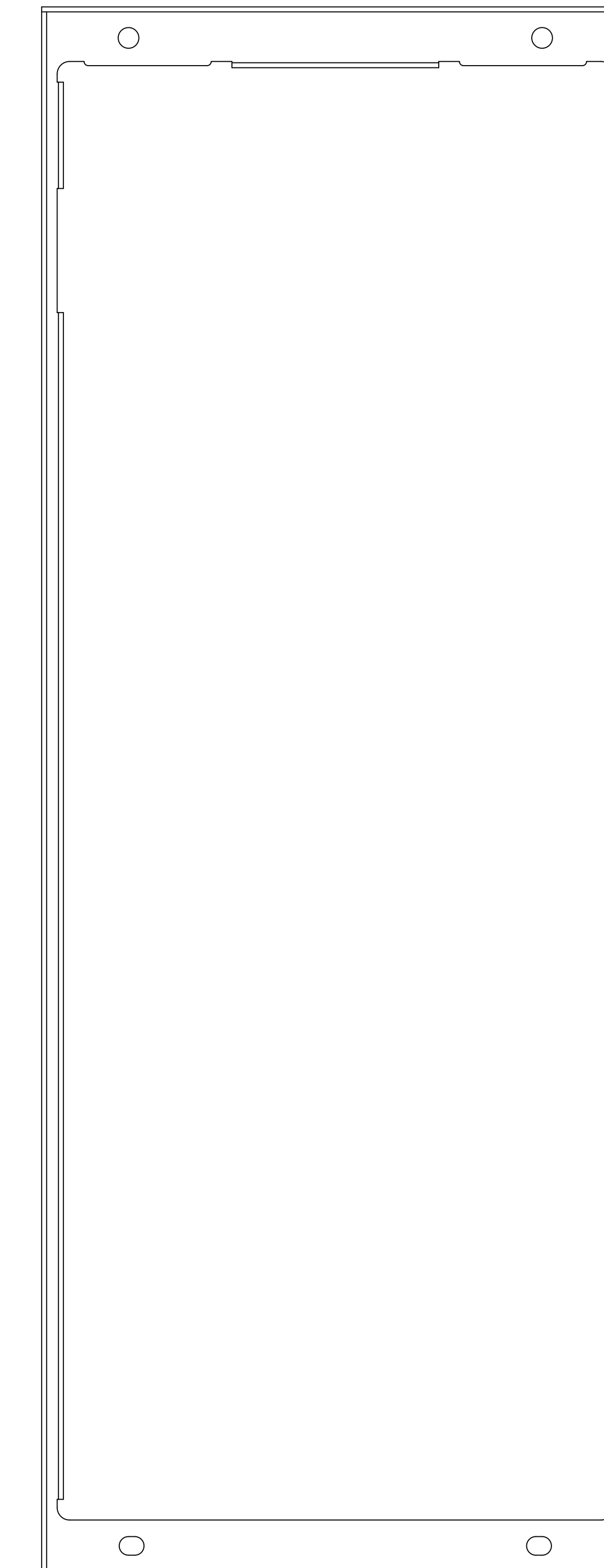
2 RIGHT VIEW



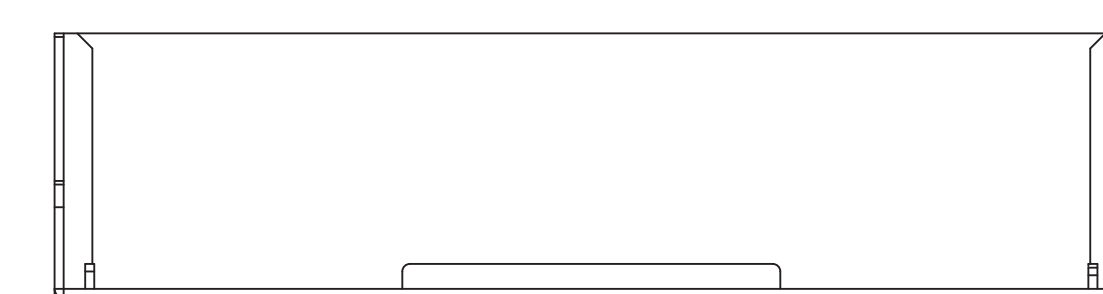
1 FRONT VIEW



3 LEFT VIEW



4 BACK VIEW



6 BOTTOM VIEW

Applicable Model
X915

Drawing Title
Placement

Drawing Unit
mm

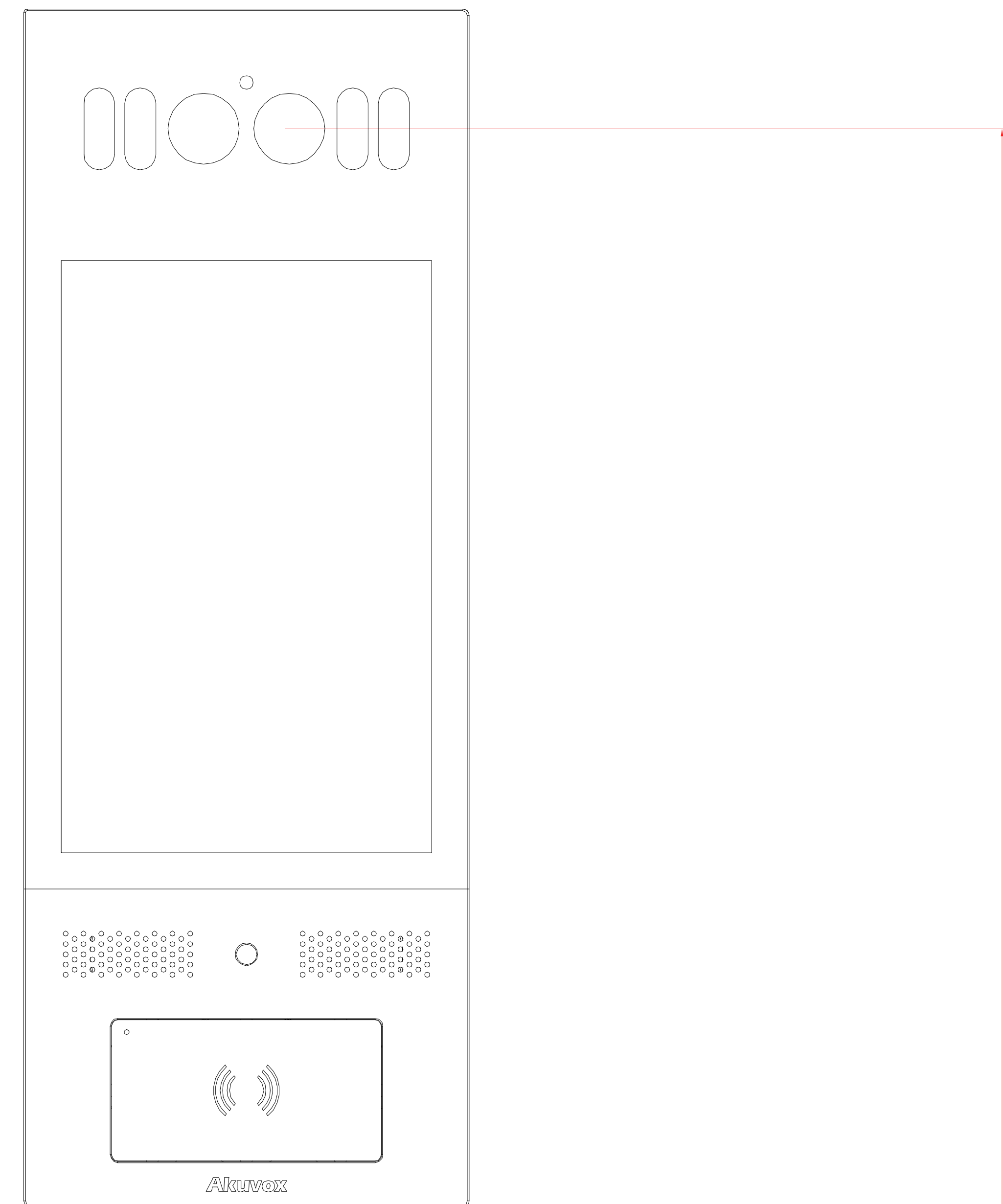
Drawing Scale
Not to scale

DRAFT
SUBJECT TO
CHANGE

Last Revised
Sept. 28,2021

Drawing Version
V1.1

Page
9 of 9

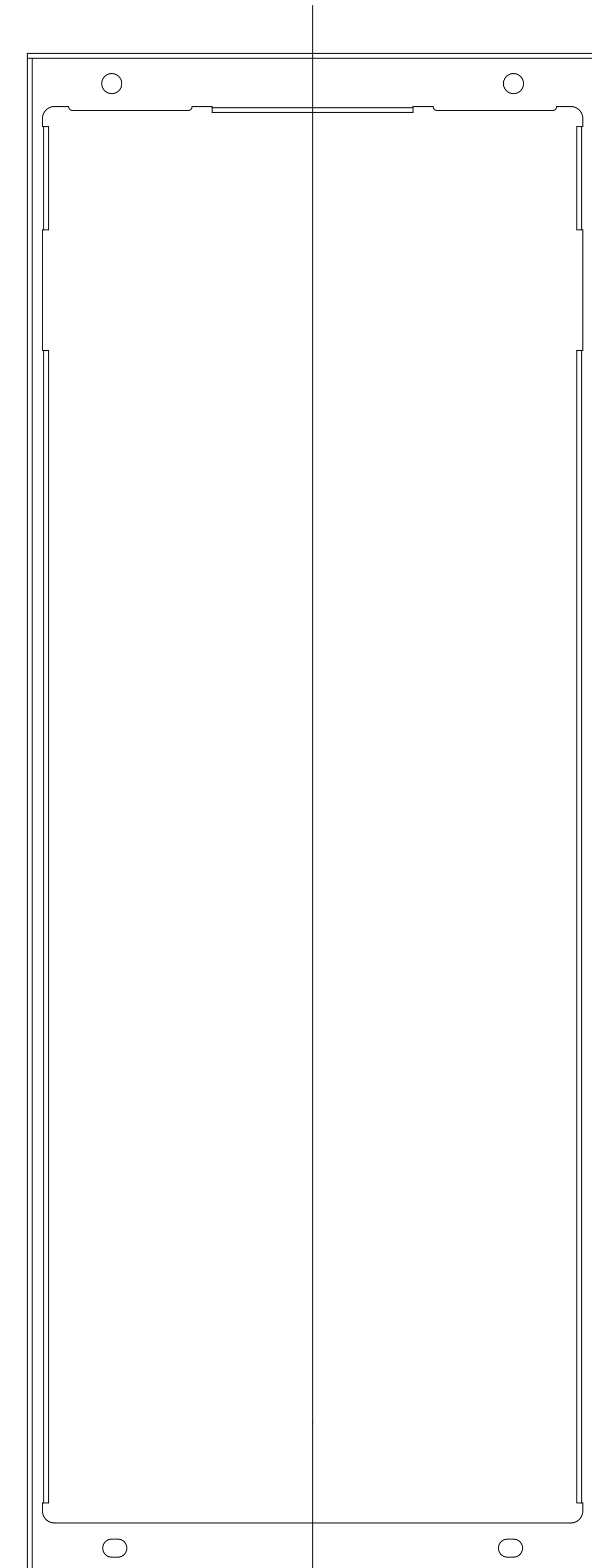


① INTERCOM PANEL FRONT VIEW

1185mm TO BOTTOM OF PANEL

1500mm TO CENTER OF CAMERA

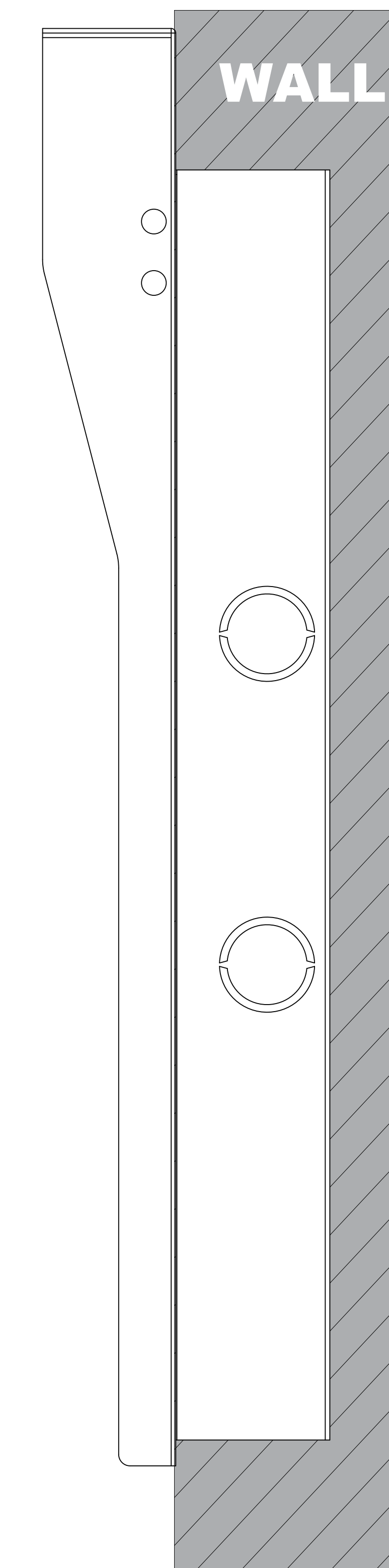
GROUND



② FRONT VIEW:WALL MOUNTING
RAIN COVER PLACEMENT

1172mm TO BOTTOM OF BRACKET

GROUND



③ SIDE VIEW:INTERCOM IN WALL