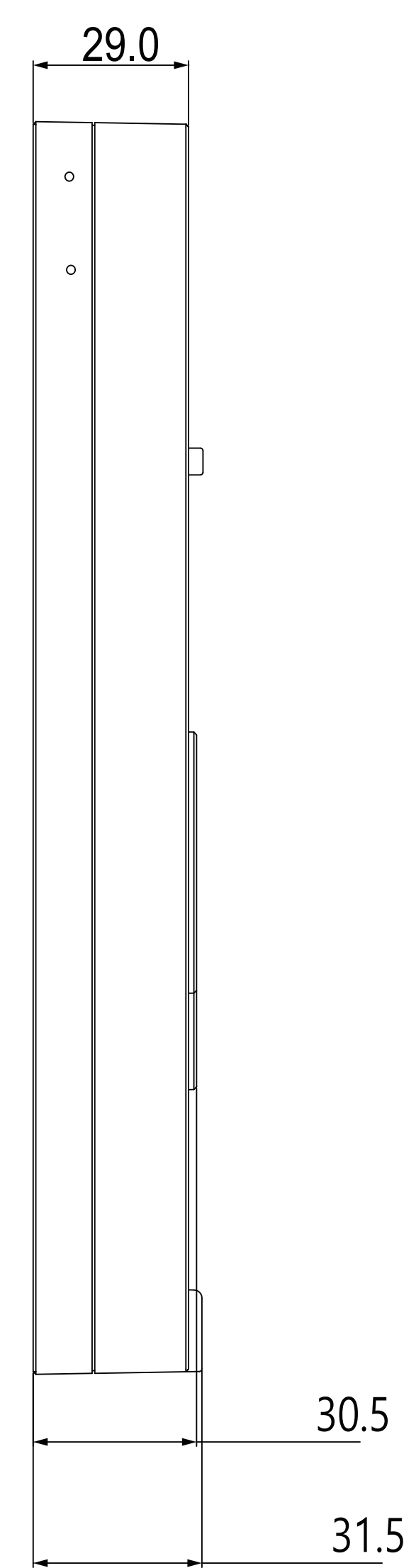
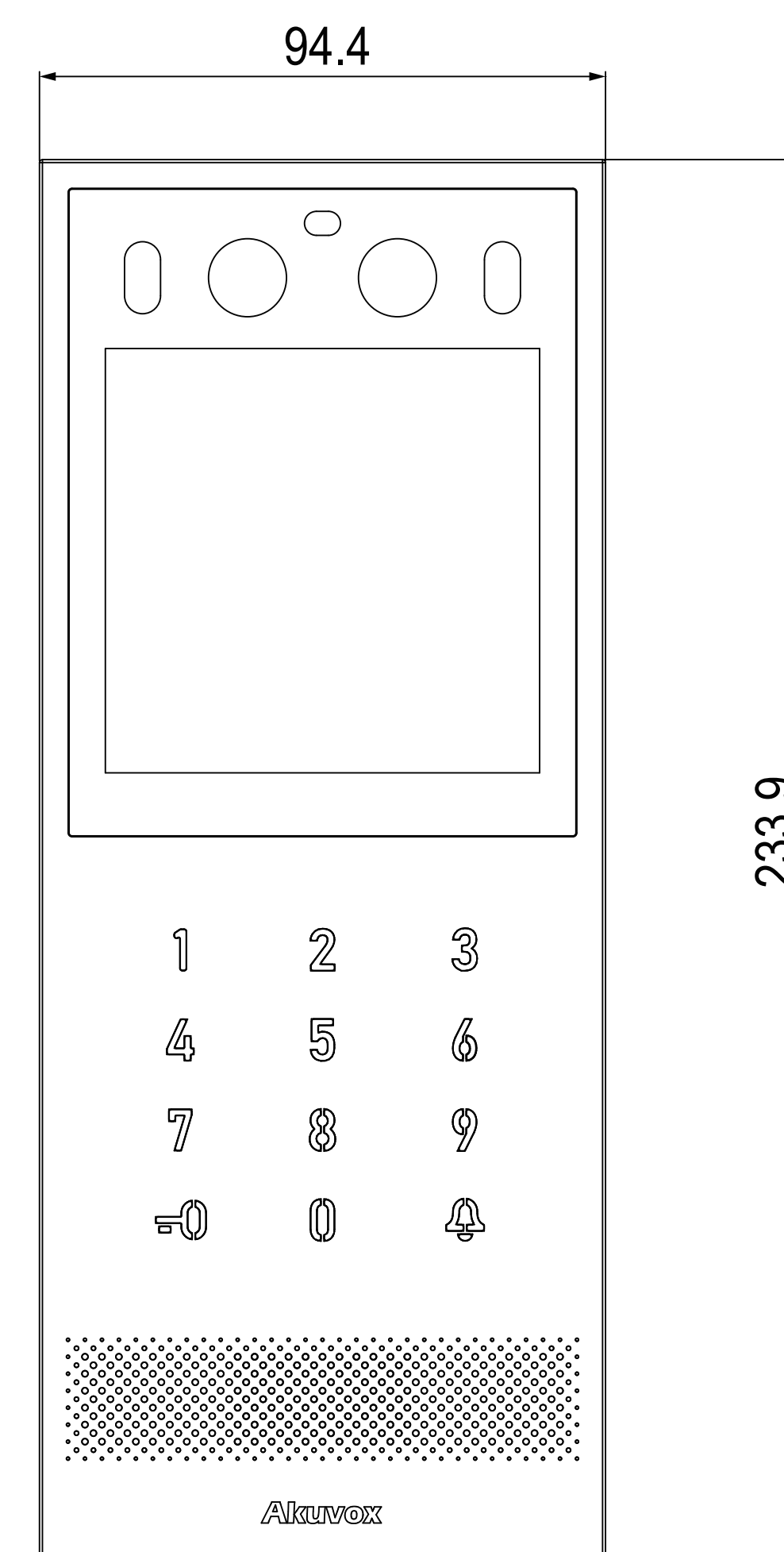


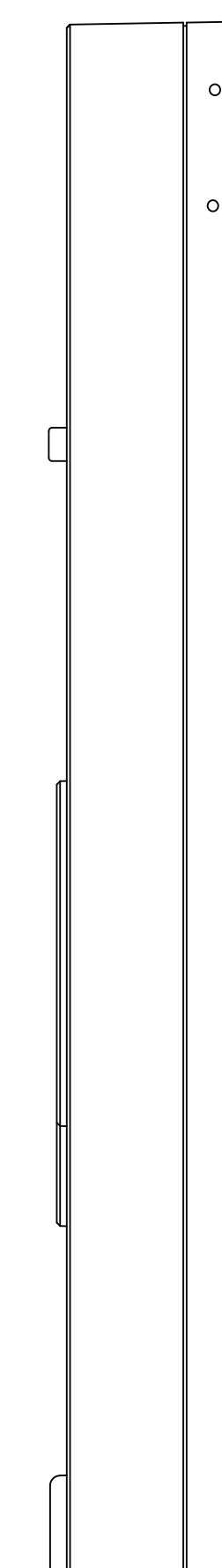
6 **BOTTOM VIEW**



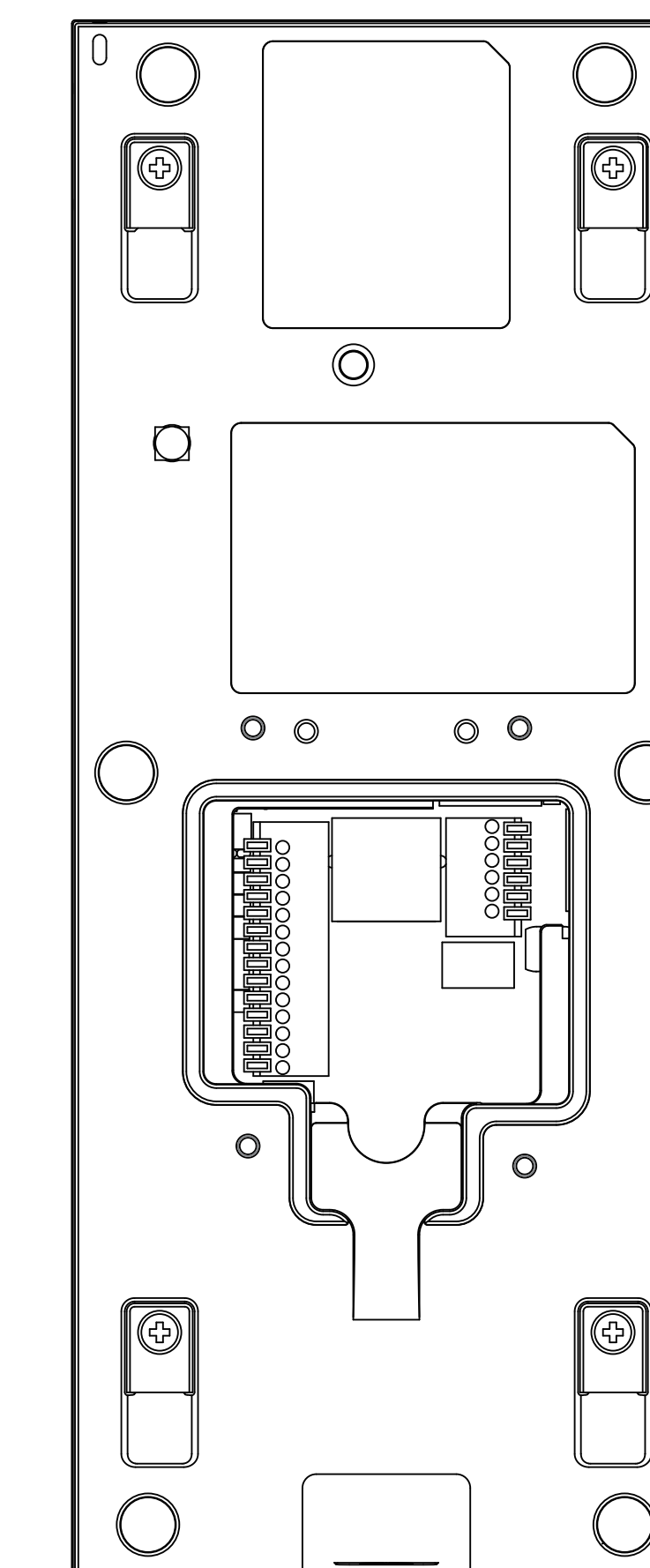
2 **RIGHT VIEW**



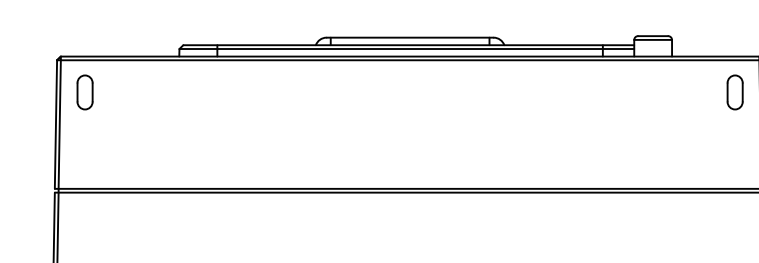
1 **FRONT VIEW**



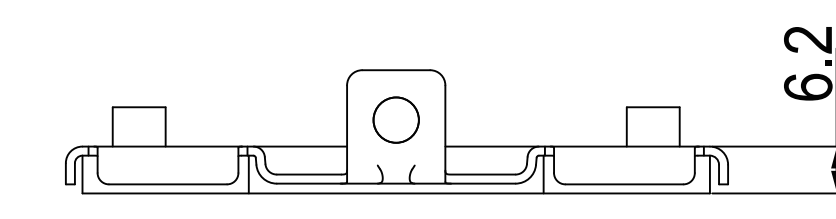
3 **LEFT VIEW**



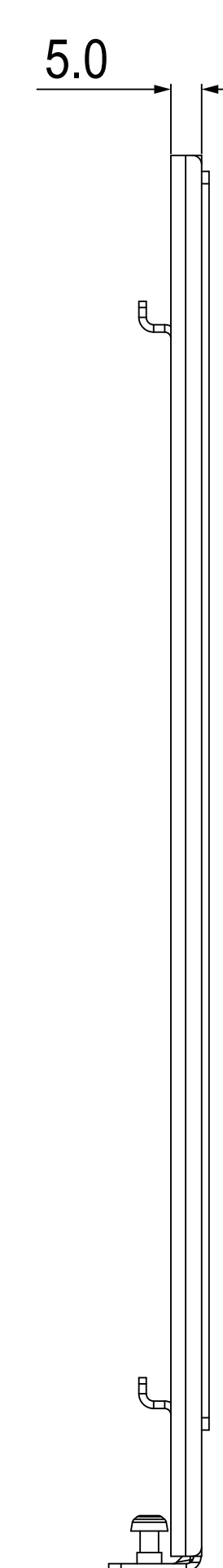
4 **BACK VIEW**



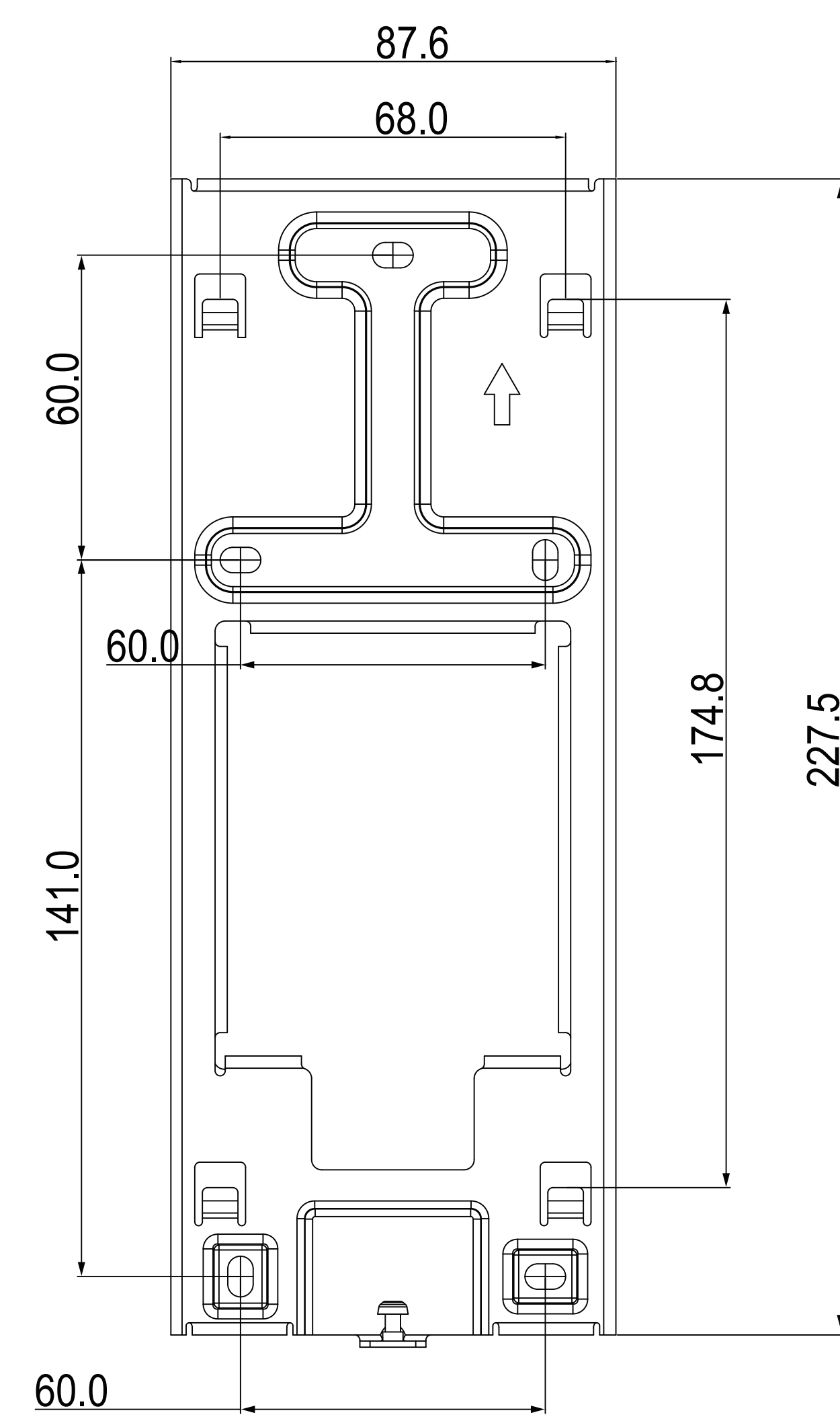
5 **TOP VIEW**



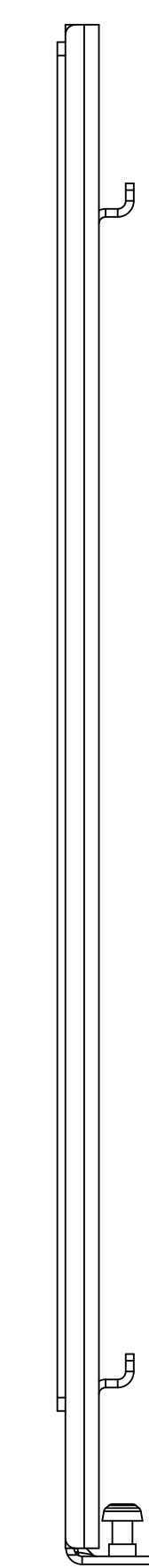
6 **BOTTOM VIEW**



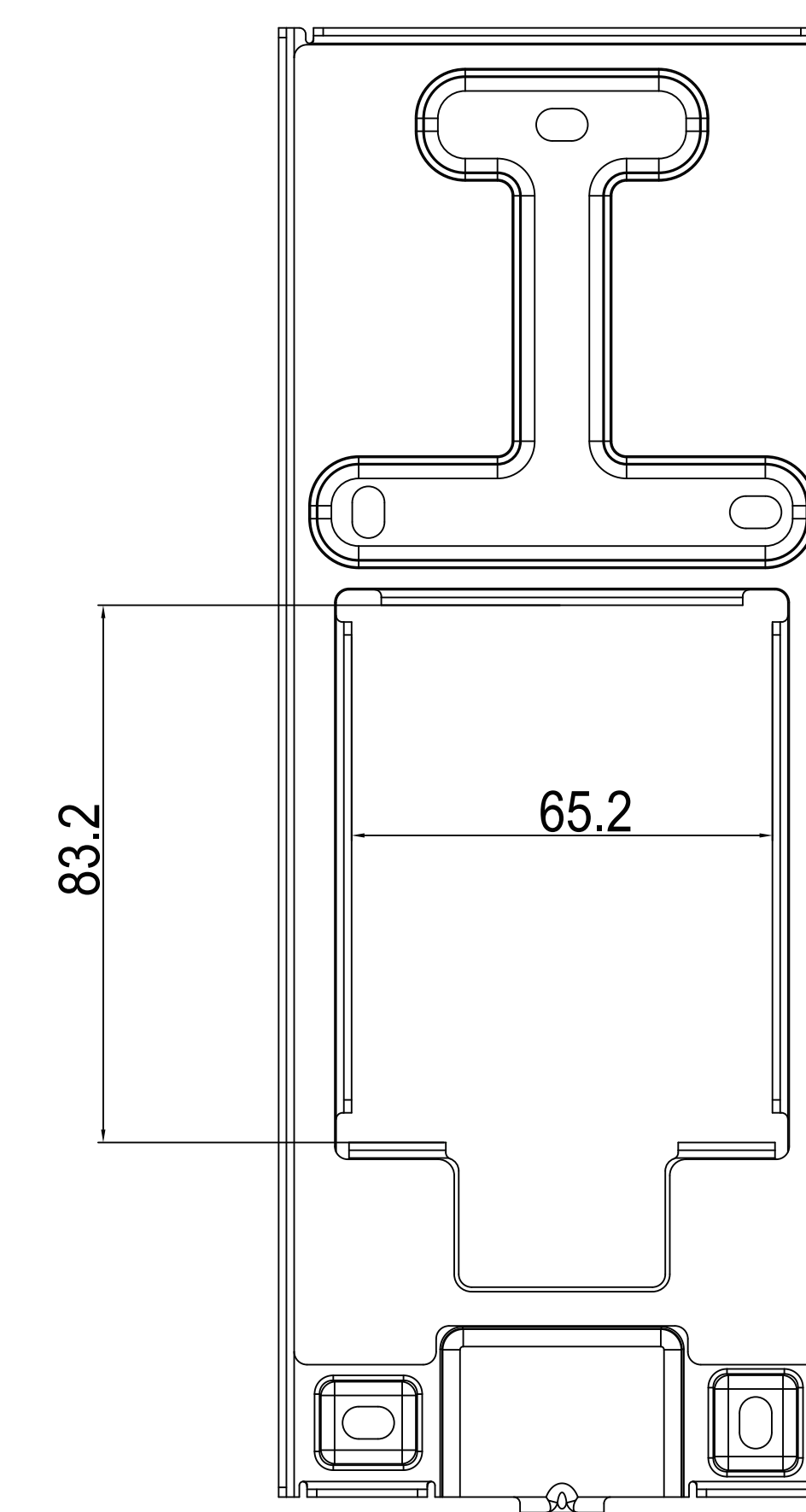
2 **RIGHT VIEW**



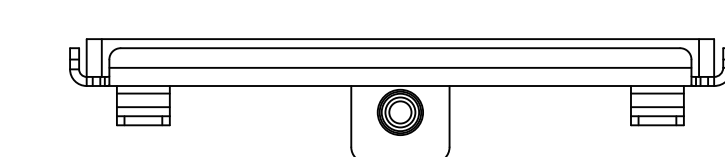
1 **FRONT VIEW**



3 **LEFT VIEW**



4 **BACK VIEW**



5 **TOP VIEW**

Applicable Model
X912

Drawing Title
Placement

Drawing Unit
mm

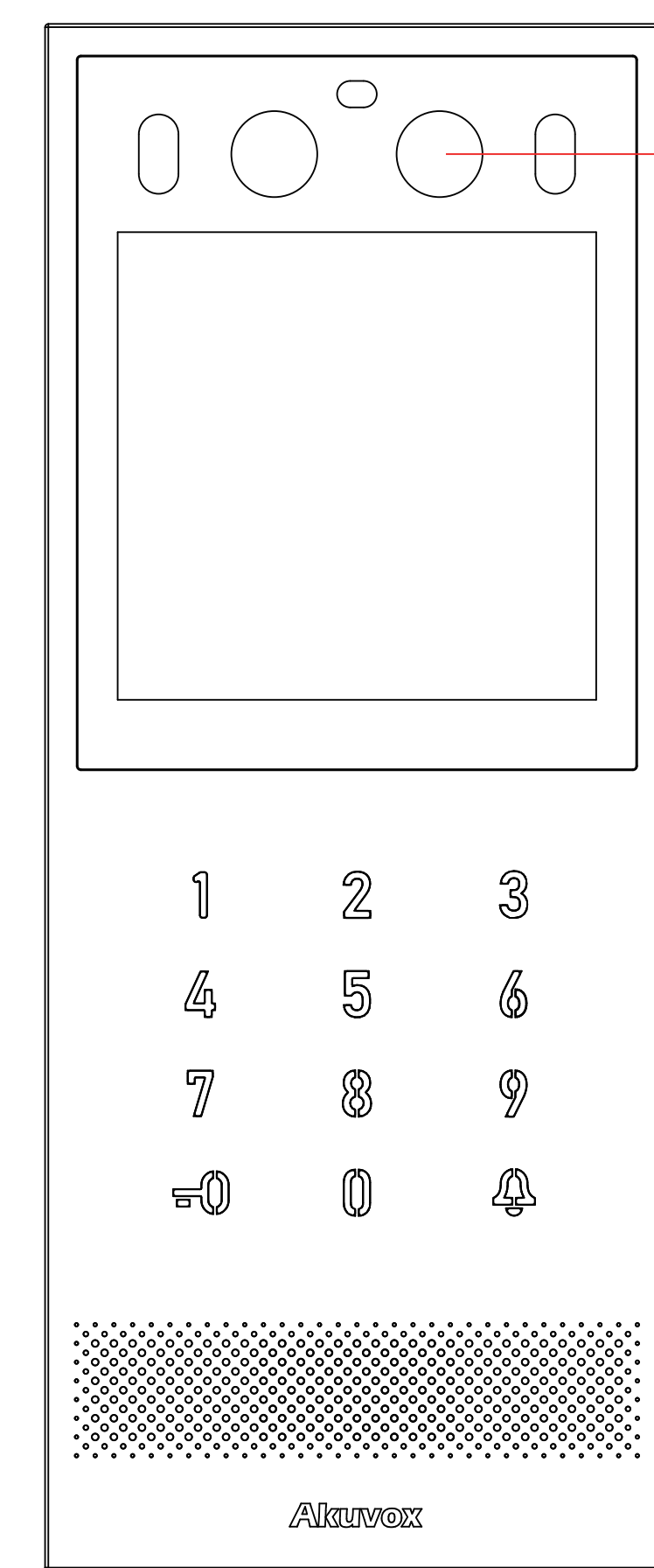
Drawing Scale
Not to scale

DRAFT
SUBJECT TO
CHANGE

Last Revised
Mar 07,2023

Drawing Version
V1.0

Page
3 of 10

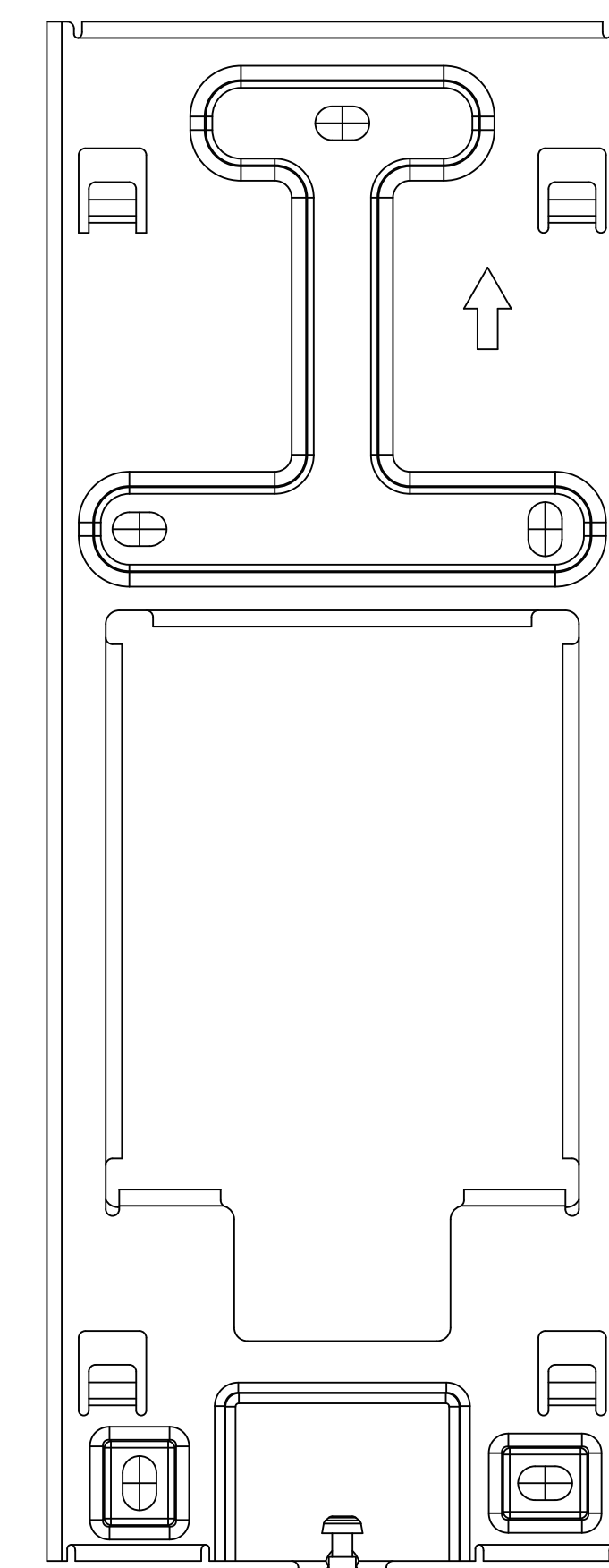


① INTERCOM PANEL FRONT VIEW

1286mm TO BOTTON OF PANEL

1500mm TO CENTER OF CAMERA

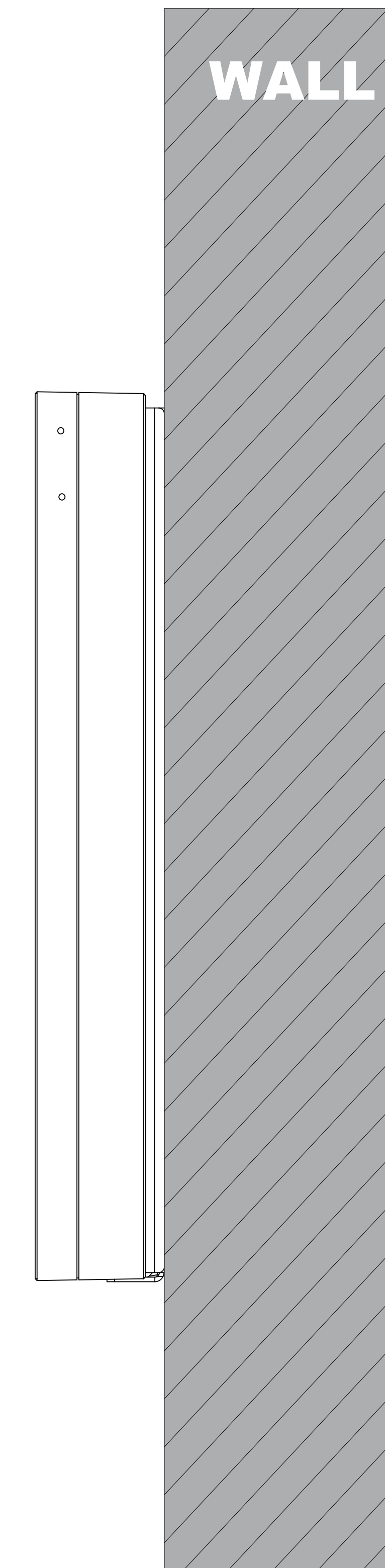
GROUND



② FRONT VIEW:WALL MOUNTING BRACKET PLACEMENT

1286mm TO BOTTON OF BRACKET

GROUND



③ SIDE VIEW:INTERCOM ON WALL

Applicable Model

X912

Drawing Title

On-Wall Mounting
Rain Cover

Drawing Unit

mm

Drawing Scale

Not to scale

**DRAFT
SUBJECT TO
CHANGE**

Last Revised

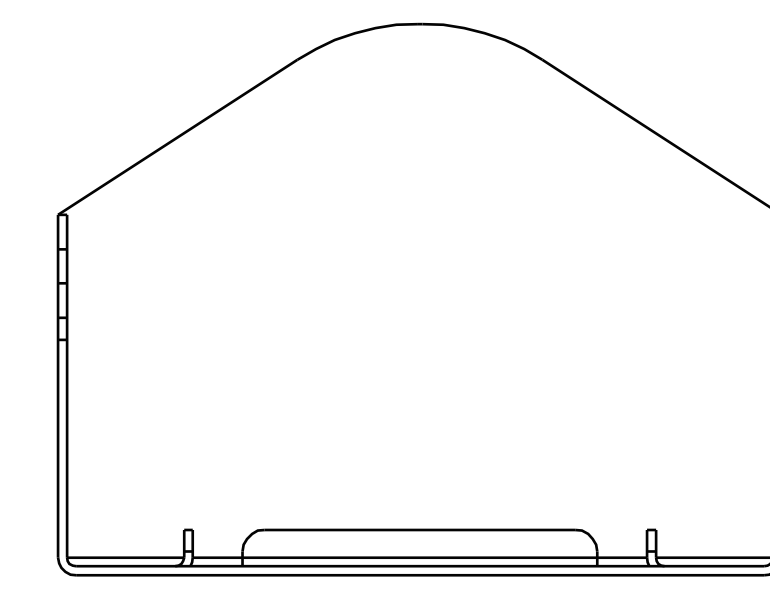
Mar 07,2023

Drawing Version

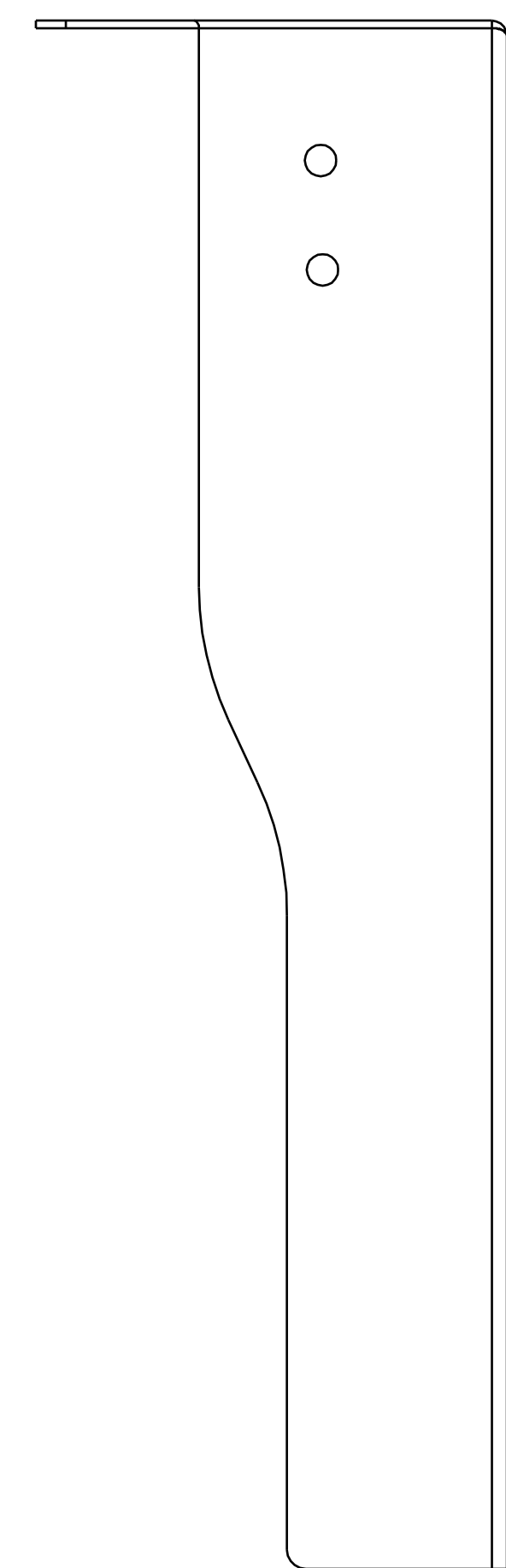
V1.0

Page

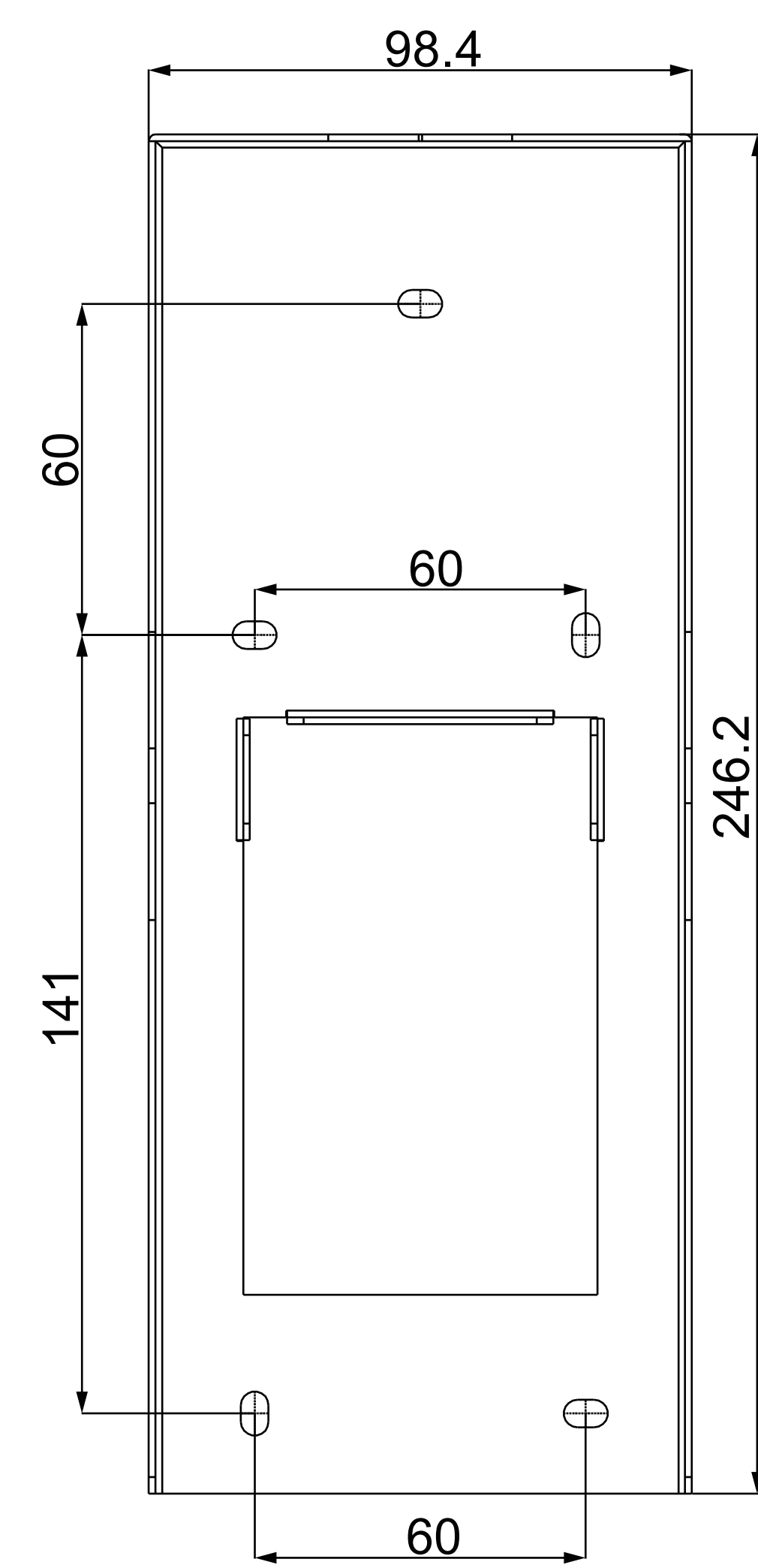
4 of 10



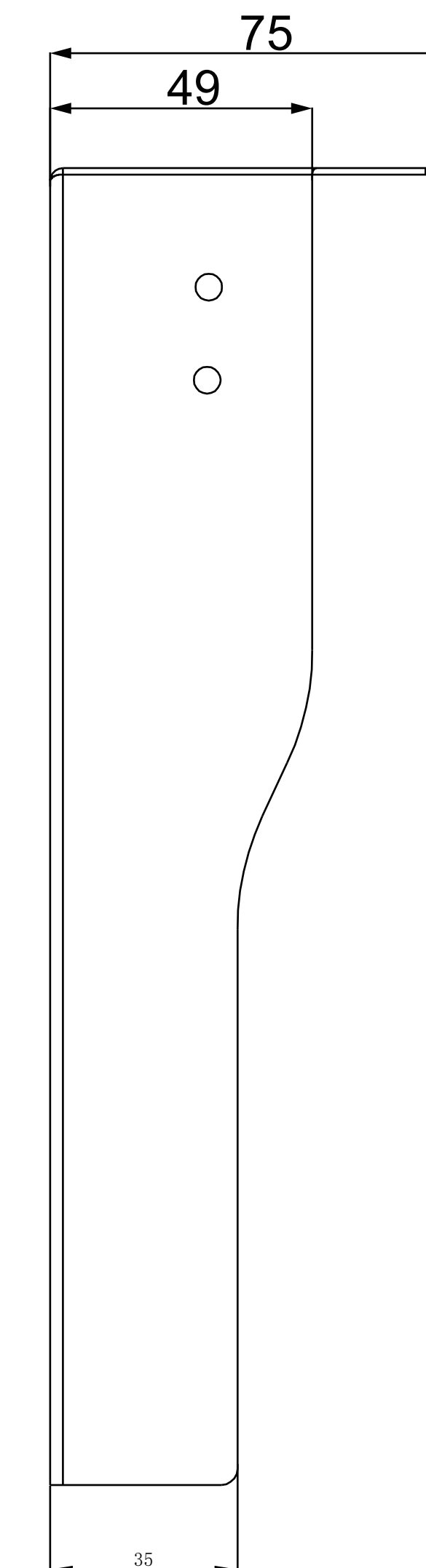
6 **BOTTOM VIEW**



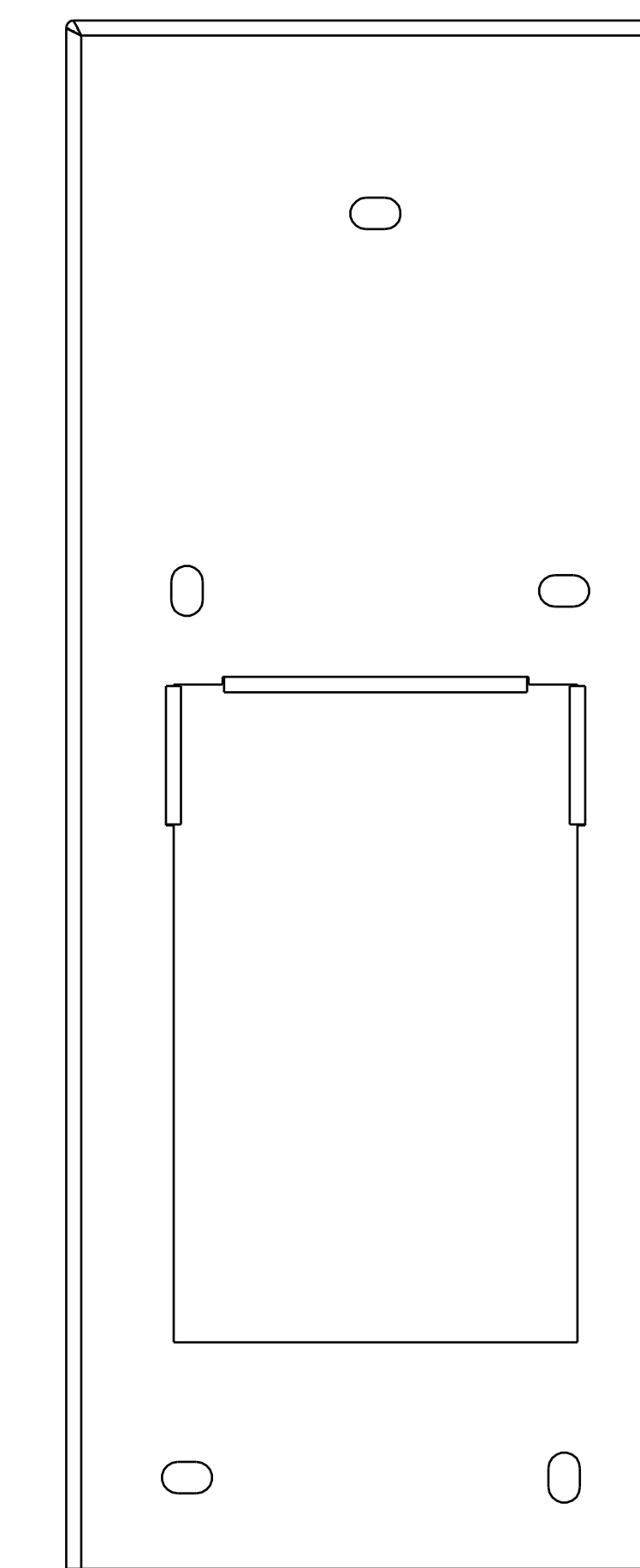
2 **RIGHT VIEW**



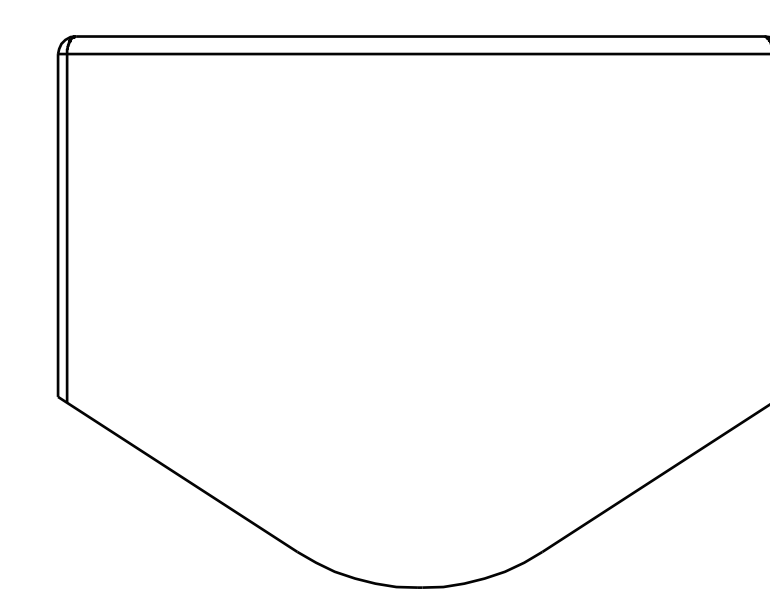
1 **FRONT VIEW**



3 **LEFT VIEW**



4 **BACK VIEW**



5 **TOP VIEW**

Applicable Model

X912

Drawing Title

Placement

Drawing Unit

mm

Drawing Scale

Not to scale

**DRAFT
SUBJECT TO
CHANGE**

Last Revised

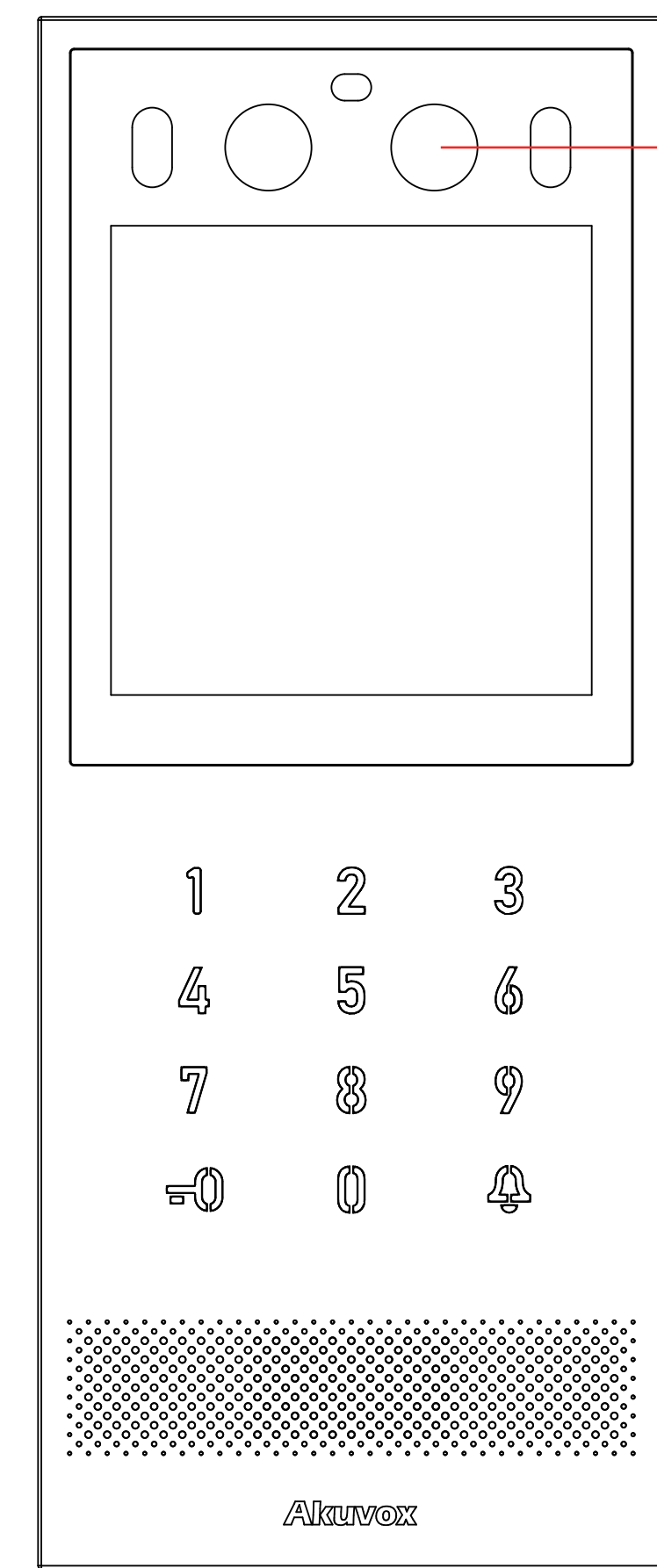
Mar 07,2023

Drawing Version

V1.0

Page

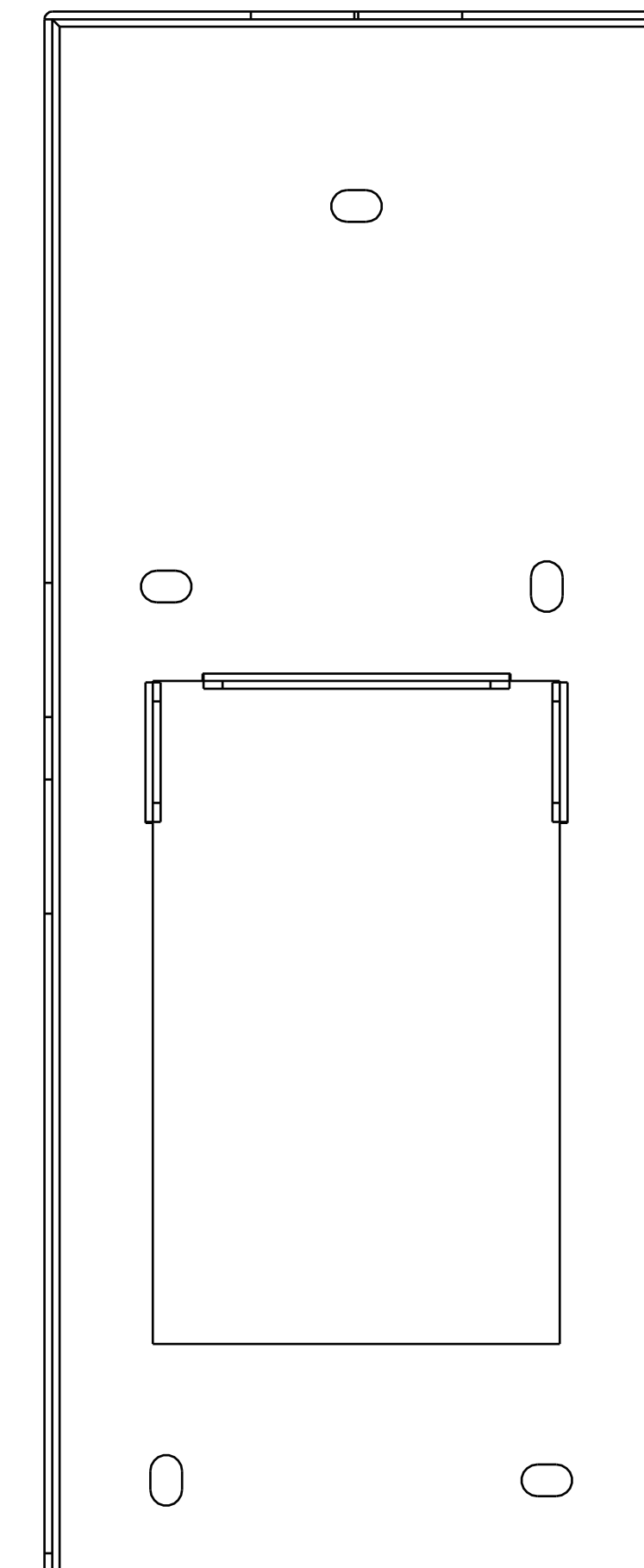
5 of 10



① INTERCOM PANEL FRONT VIEW

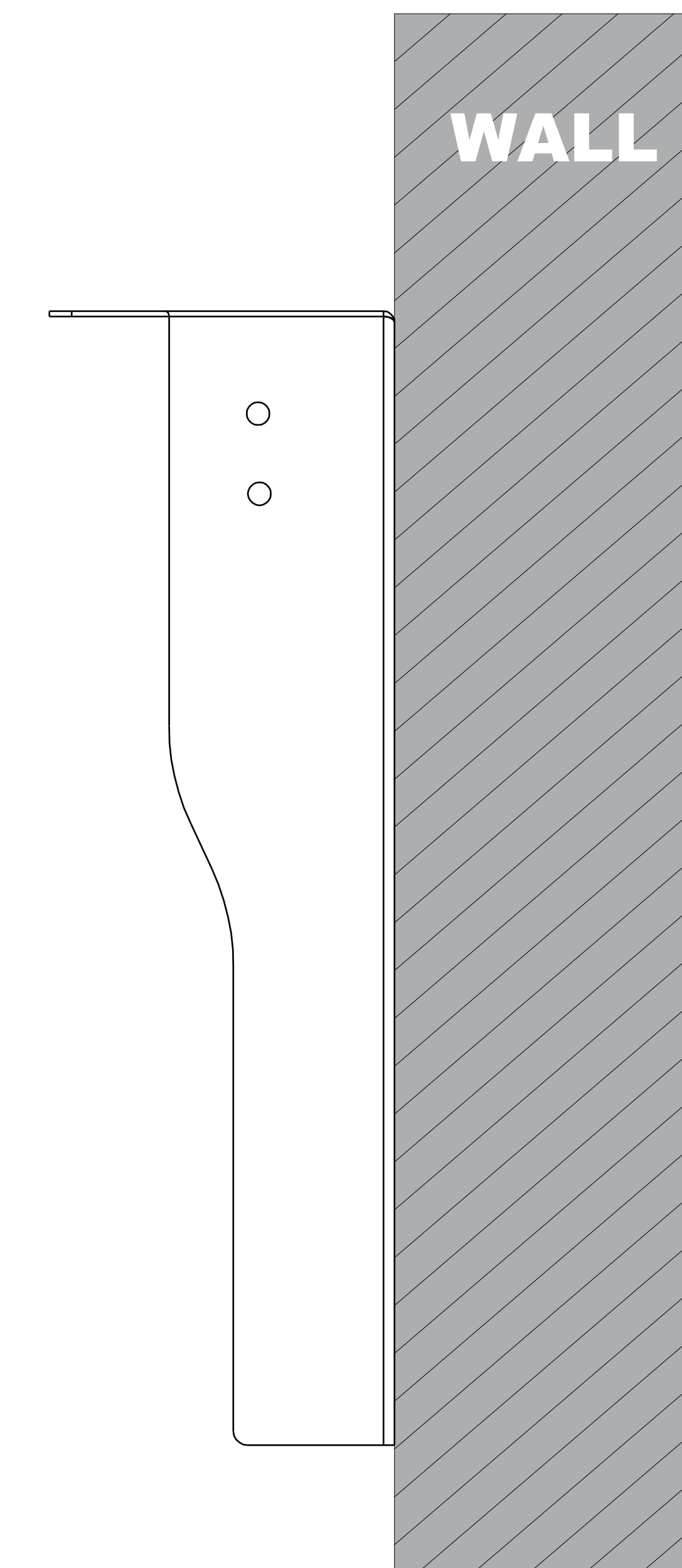
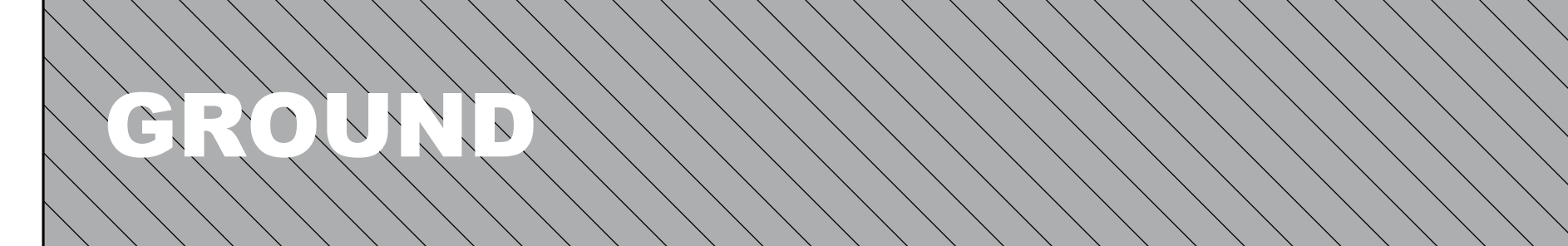
1286mm TO BOTTON OF PANEL

1500mm TO CENTER OF CAMERA



② FRONT VIEW:ON-WALL MOUNTING RAIN COVER PLACEMENT

1286mm TO BOTTON OF BRACKET



③ SIDE VIEW:INTERCOM ON WALL

Applicable Model

X912

Drawing Title

In-Wall Mounting
Decorative Panel

Drawing Unit

mm

Drawing Scale

Not to scale

**DRAFT
SUBJECT TO
CHANGE**

Last Revised

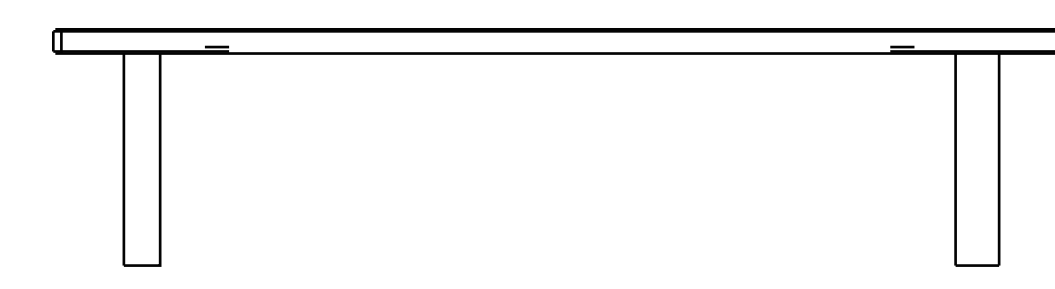
Mar 07,2023

Drawing Version

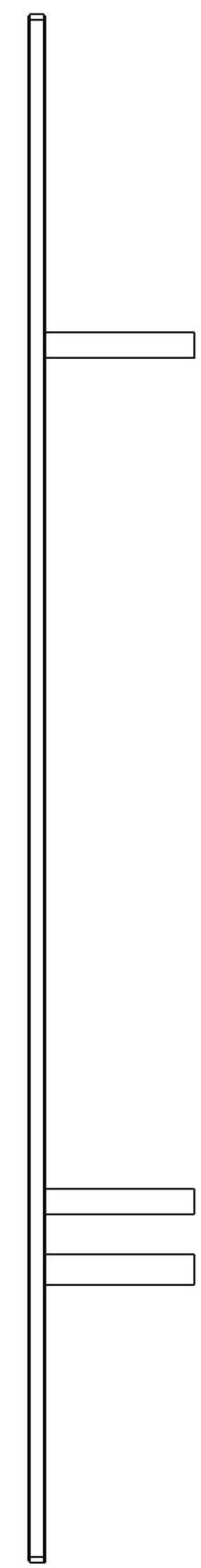
V1.0

Page

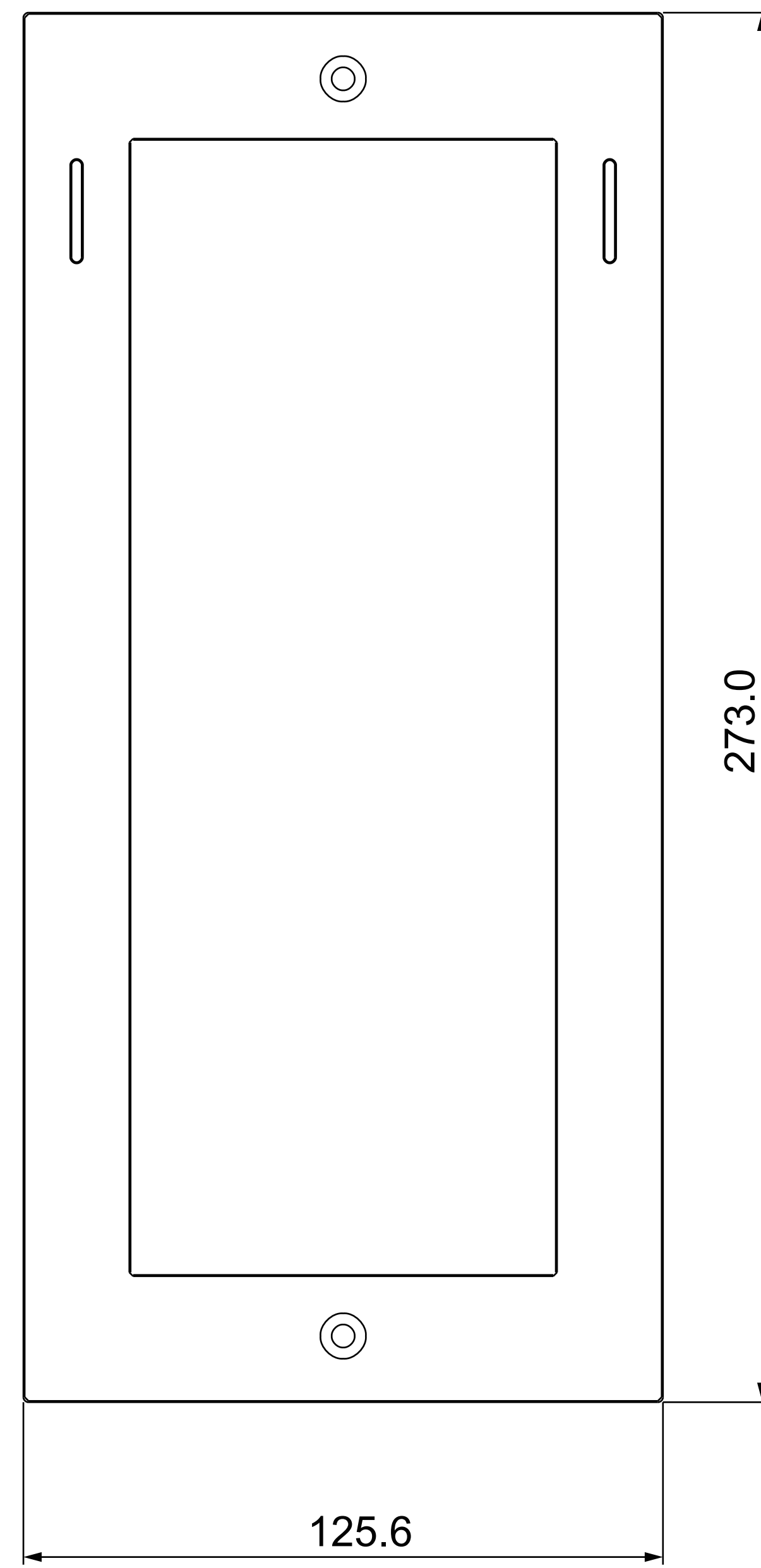
6 of 10



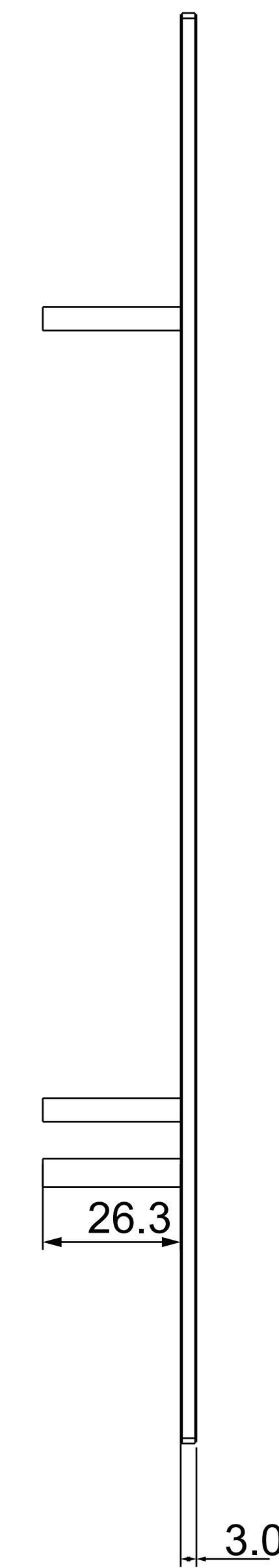
⑥ **BOTTOM VIEW**



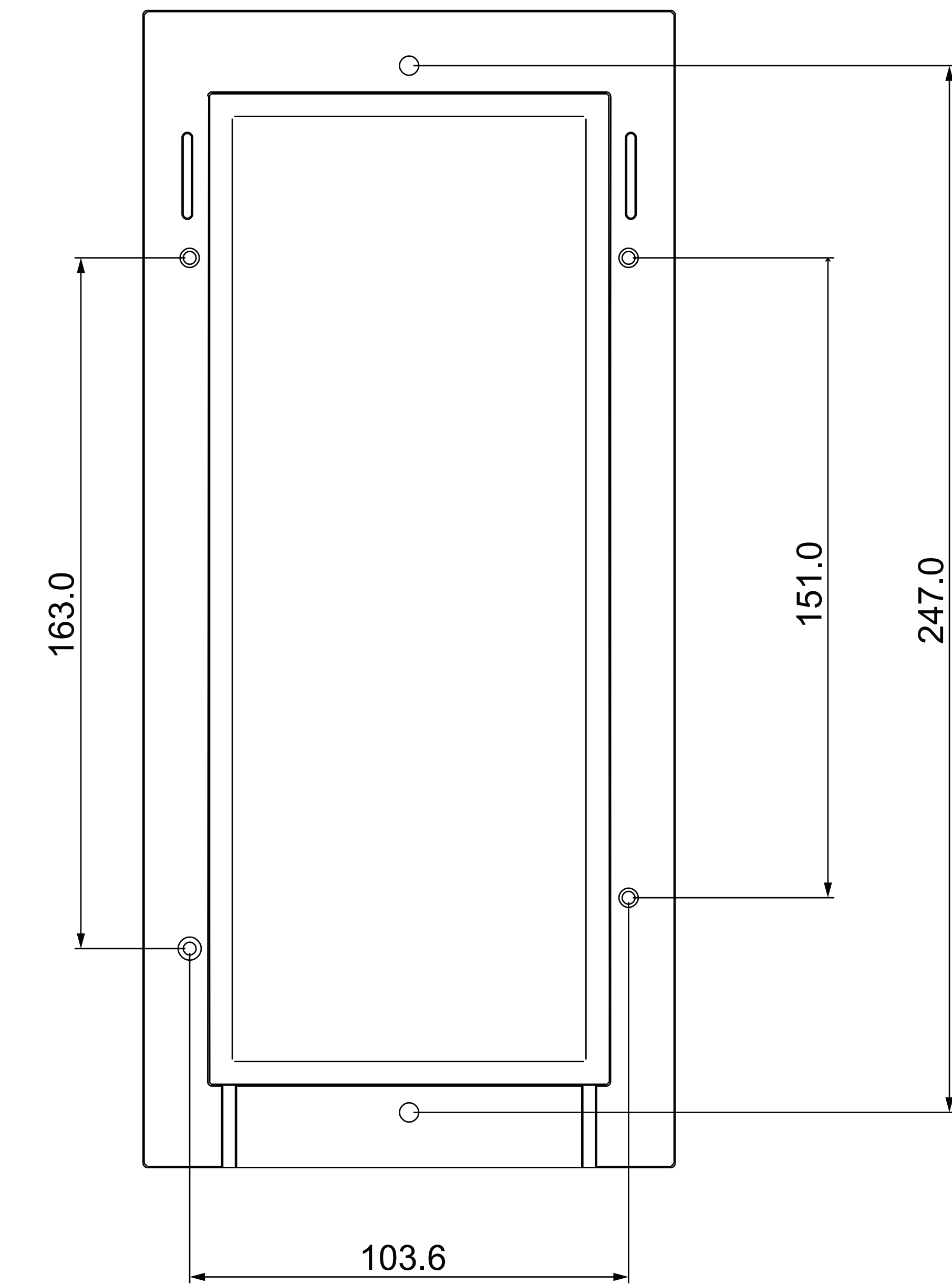
② **RIGHT VIEW**



① **FRONT VIEW**



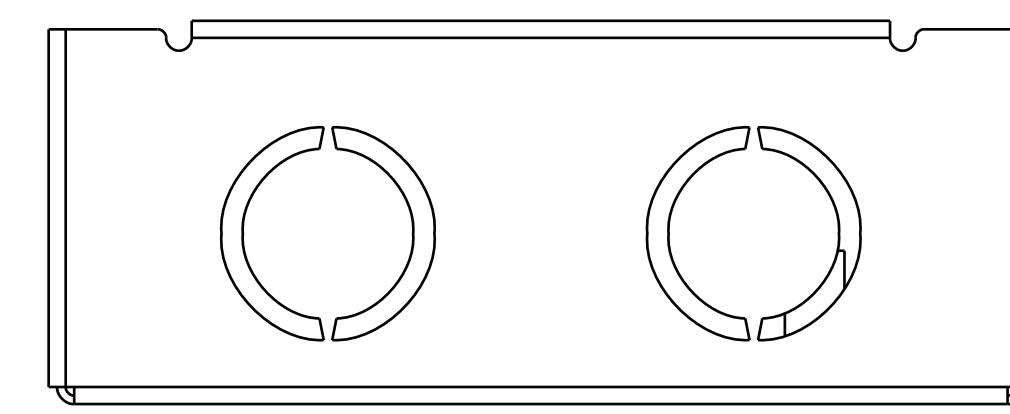
③ **LEFT VIEW**



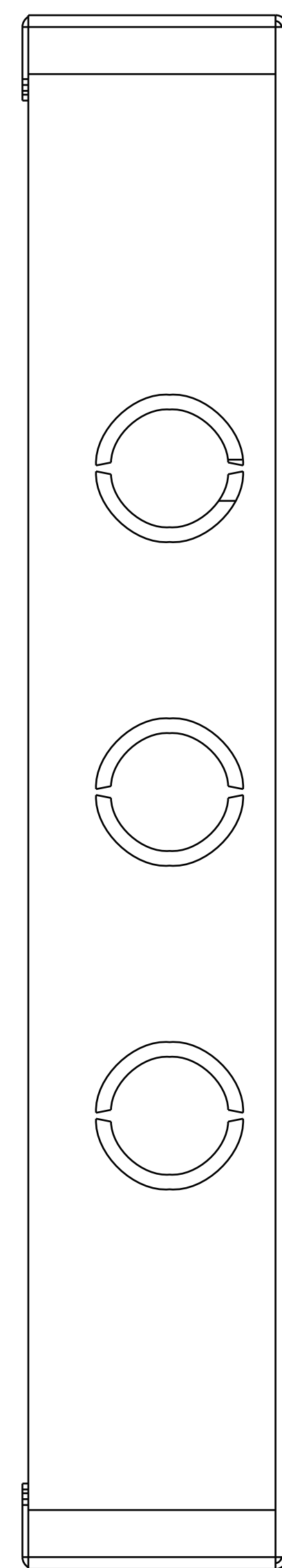
④ **BACK VIEW**



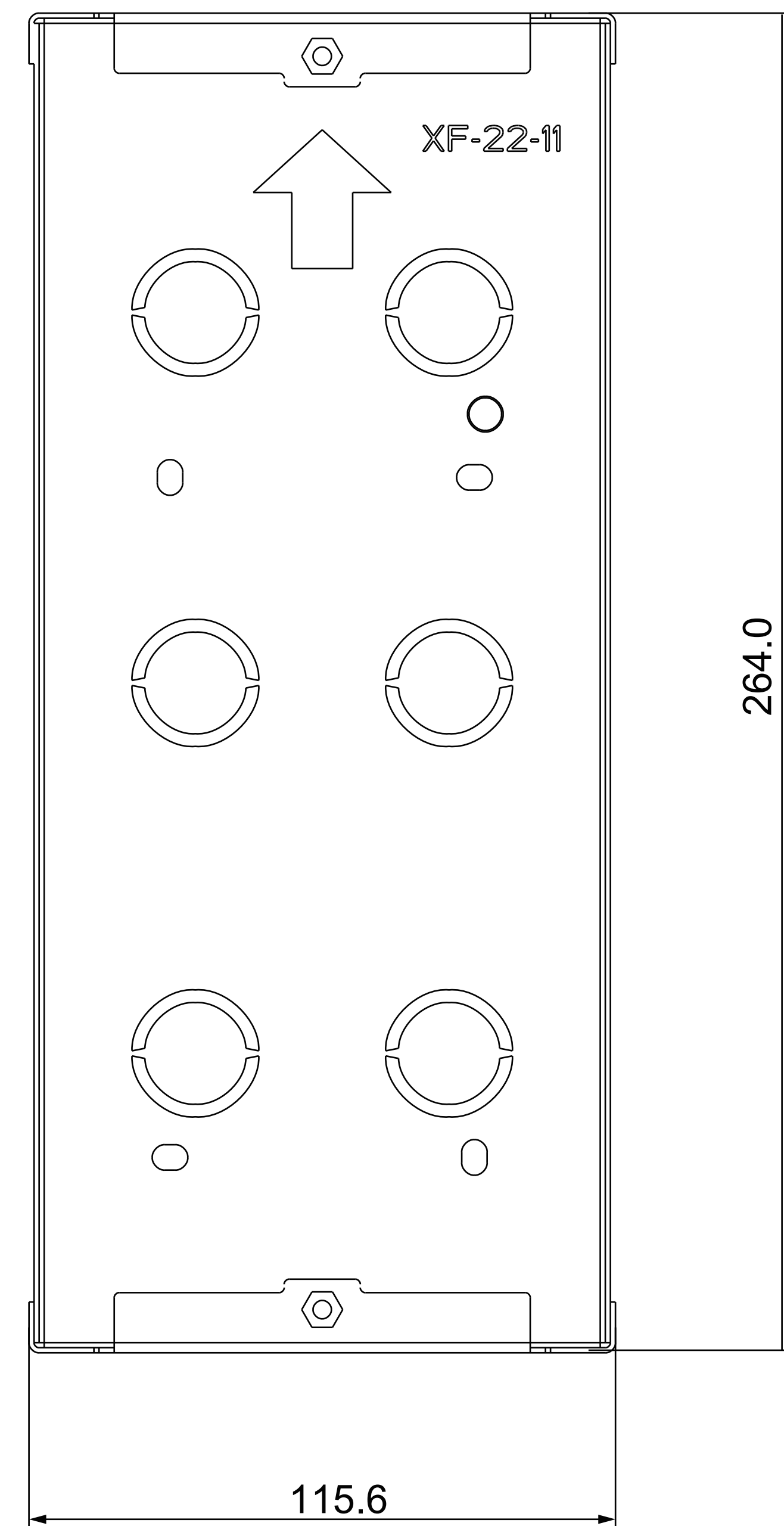
⑤ **TOP VIEW**



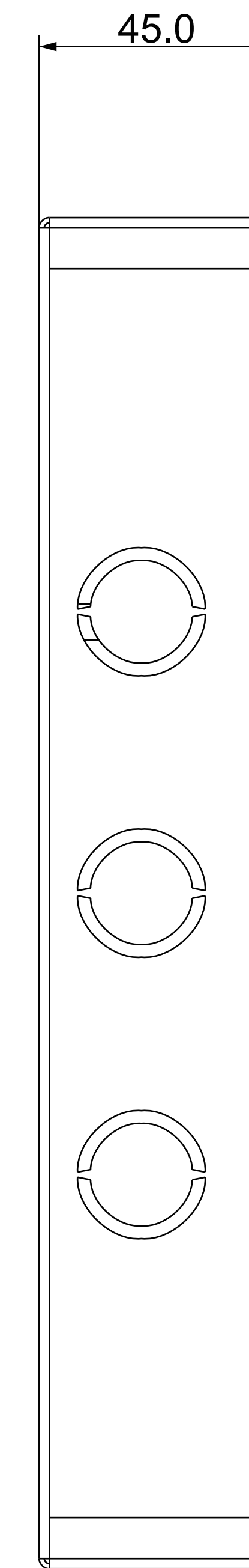
6 **BOTTOM VIEW**



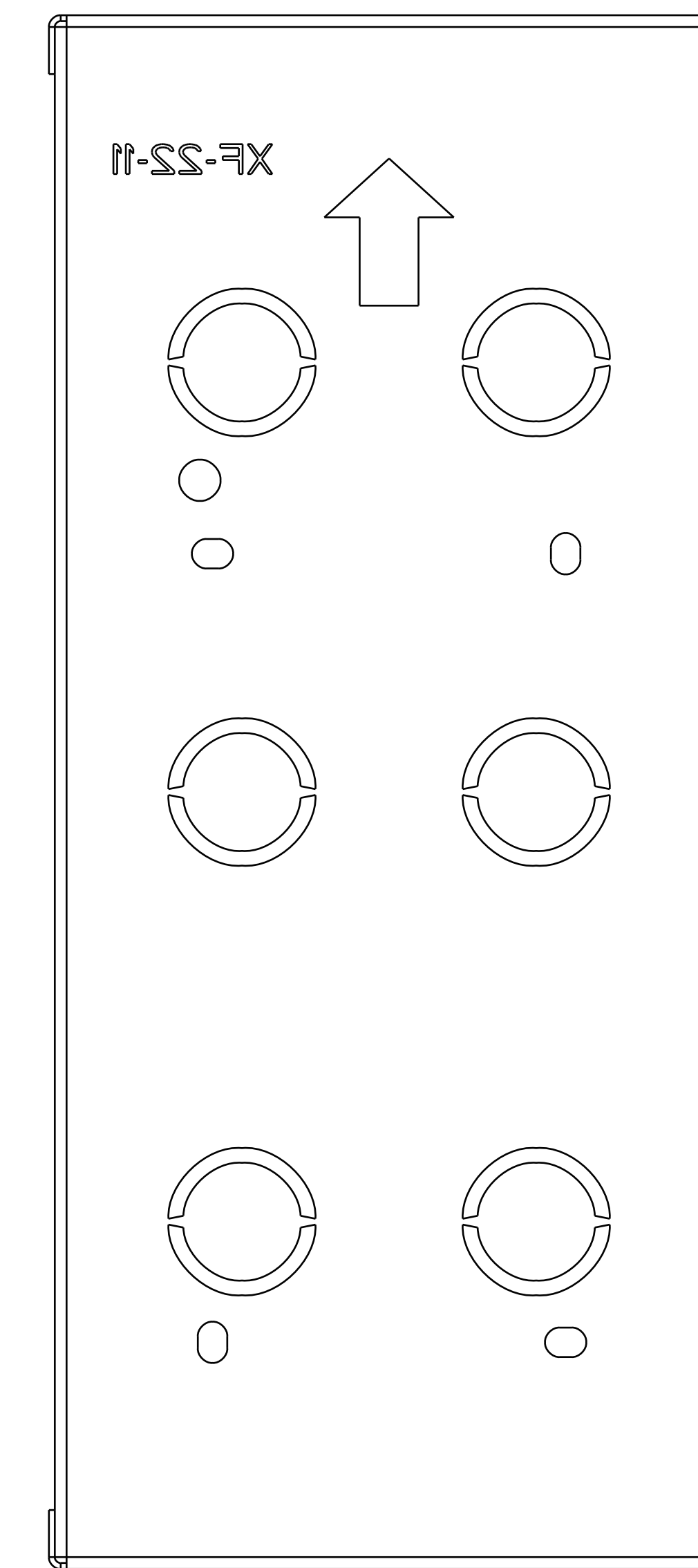
2 **RIGHT VIEW**



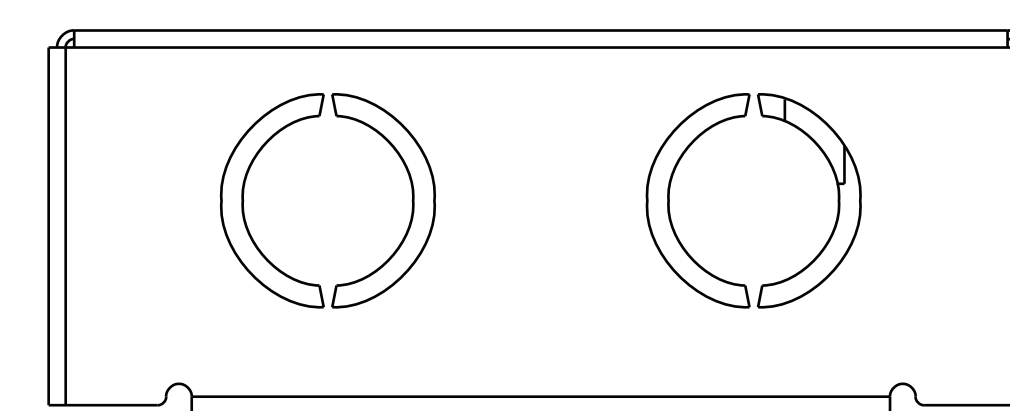
1 **FRONT VIEW**



3 **LEFT VIEW**



4 **BACK VIEW**



5 **TOP VIEW**

Applicable Model
X912

Drawing Title
Placement

Drawing Unit
mm

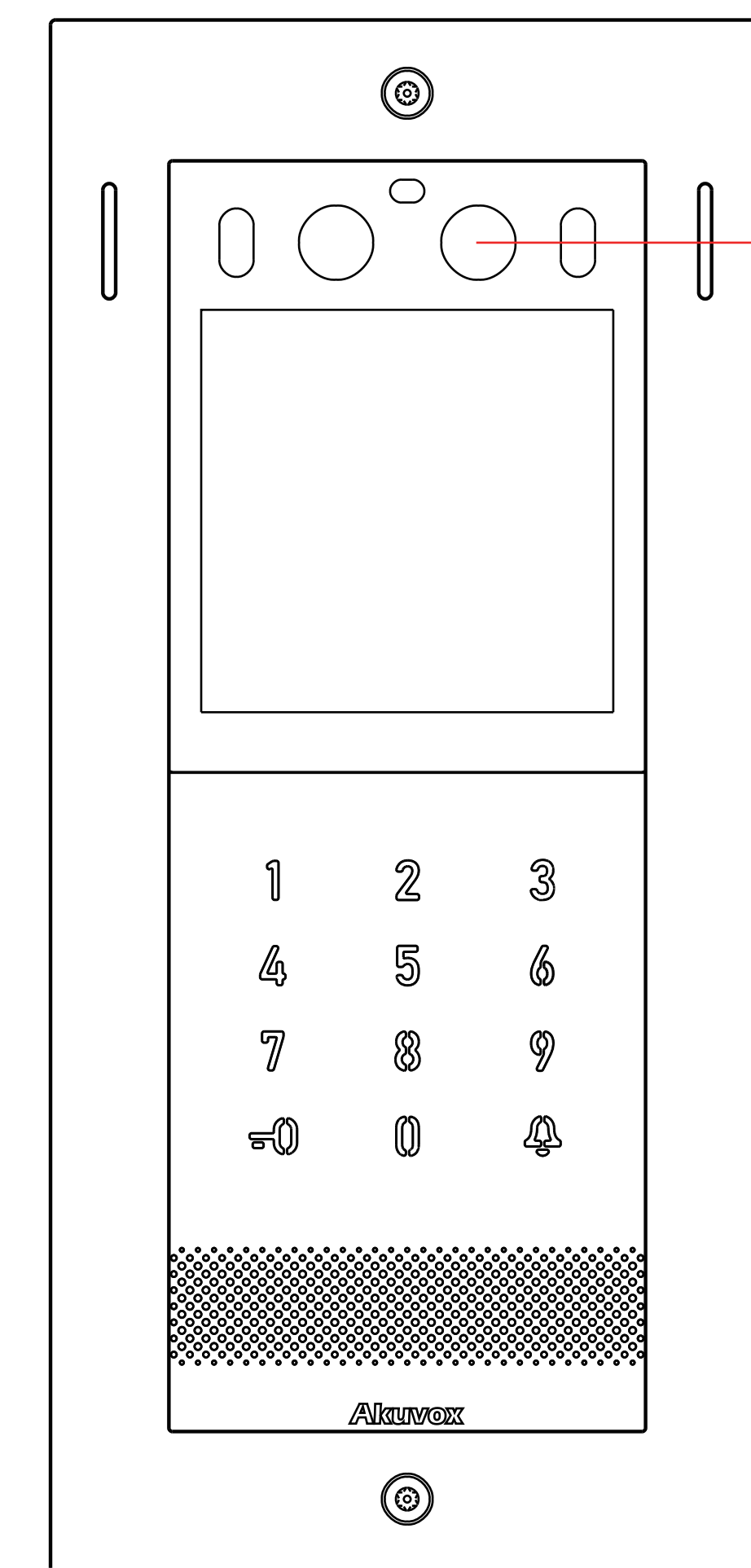
Drawing Scale
Not to scale

DRAFT
SUBJECT TO
CHANGE

Last Revised
Mar 07,2023

Drawing Version
V1.0

Page
8 of 10



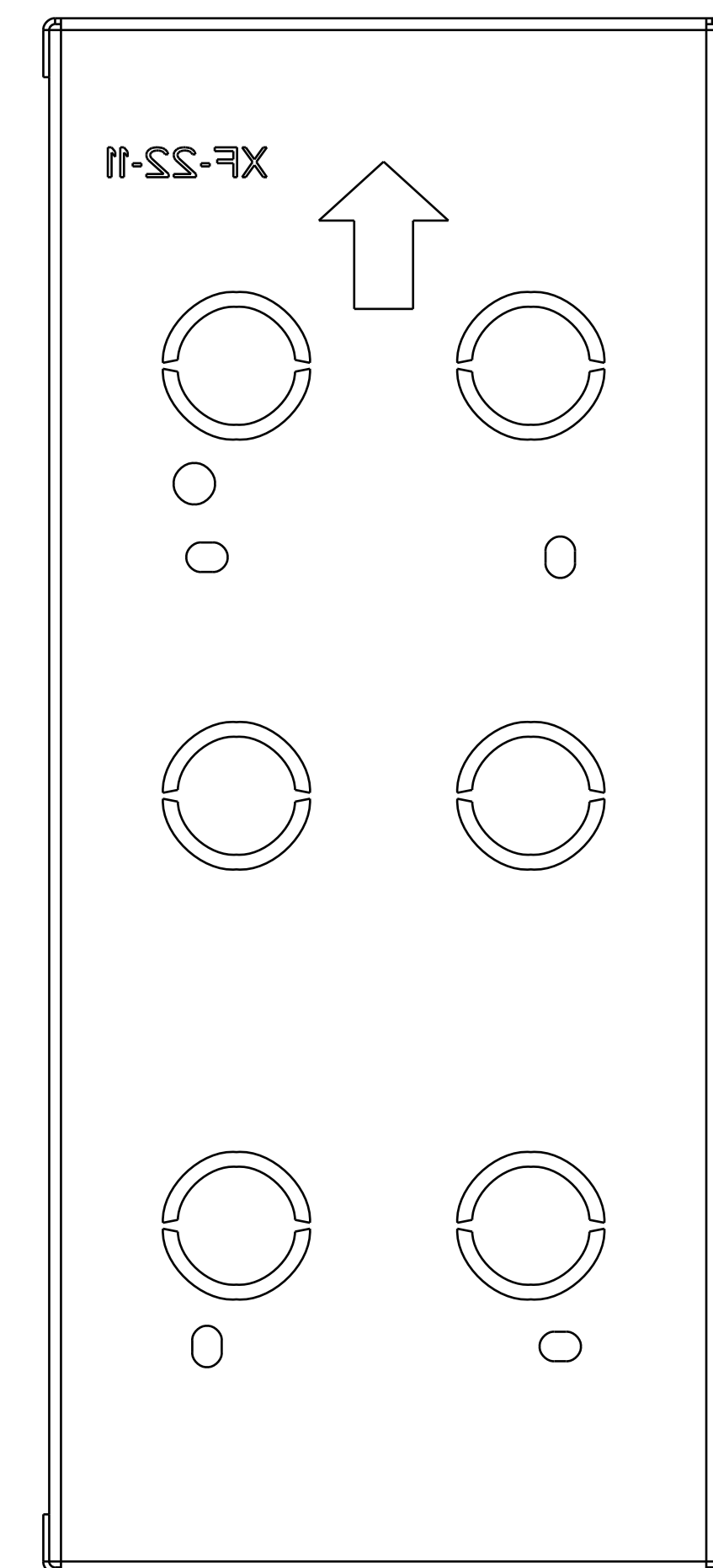
① INTERCOM PANEL FRONT VIEW

1266mm TO BOTTON OF PANEL

1500mm TO CENTER OF CAMERA



GROUND

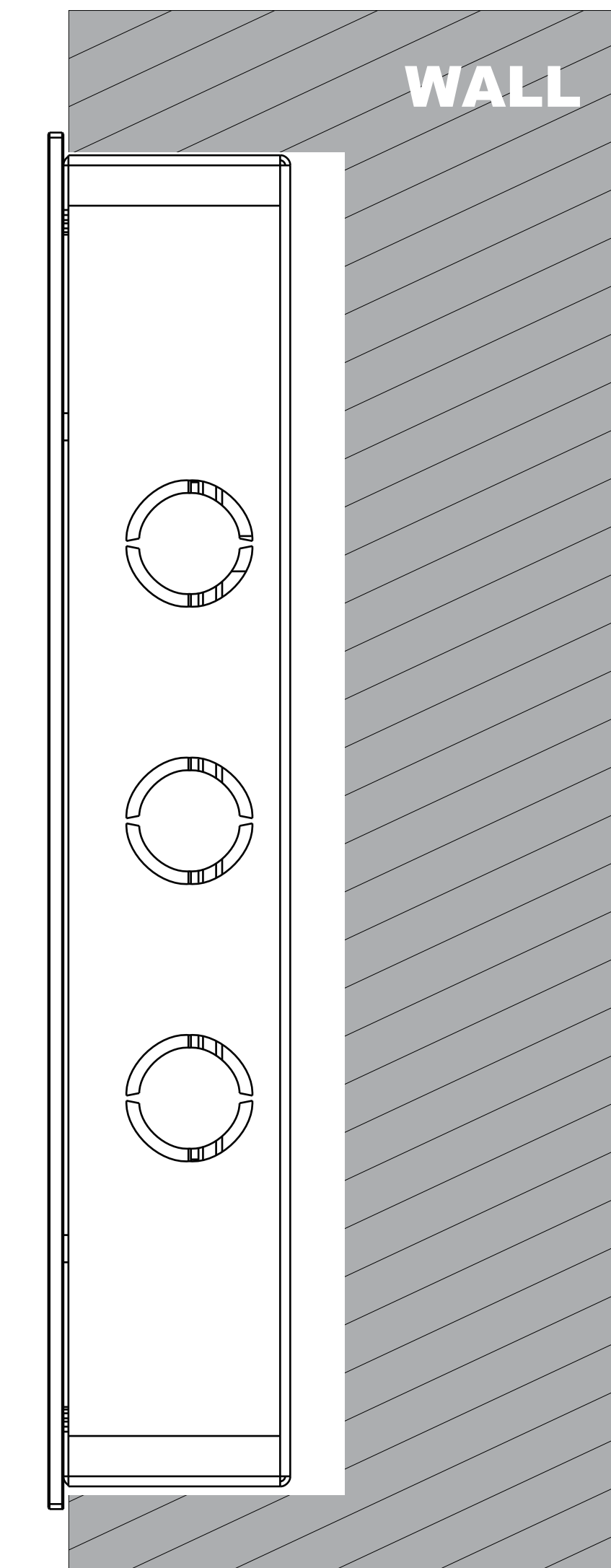


② FRONT VIEW:FLUSHING MOUNTING BRACKET PLACEMENT

1271mm TO SCREW HOLE CENTER OF BRACKET



GROUND



③ SIDE VIEW:INTERCOM IN WALL

Applicable Model

X912

Drawing Title

In-Wall Mounting
Rain Cover

Drawing Unit

mm

Drawing Scale

Not to scale

**DRAFT
SUBJECT TO
CHANGE**

Last Revised

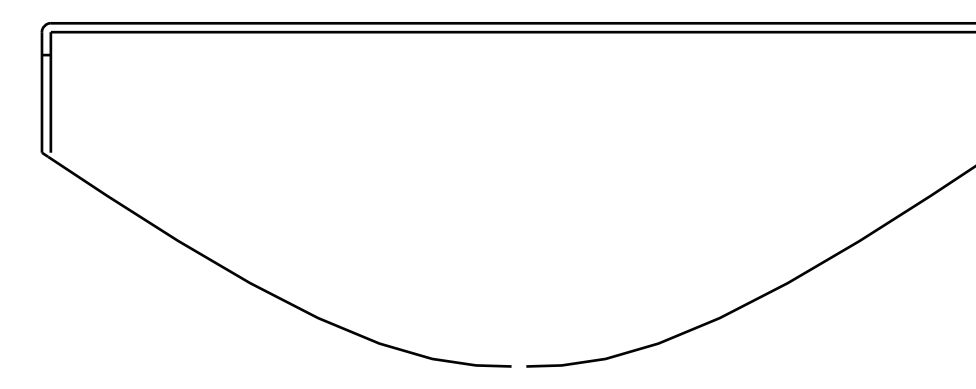
Mar 07,2023

Drawing Version

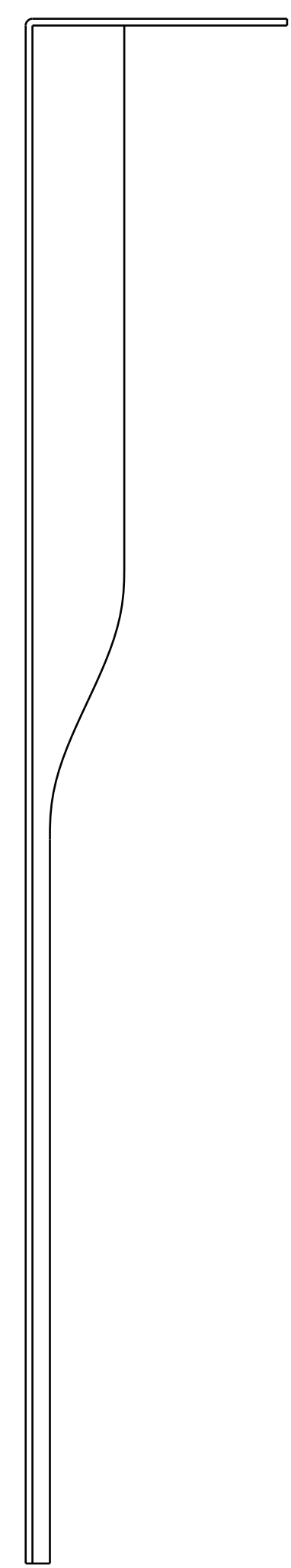
V1.0

Page

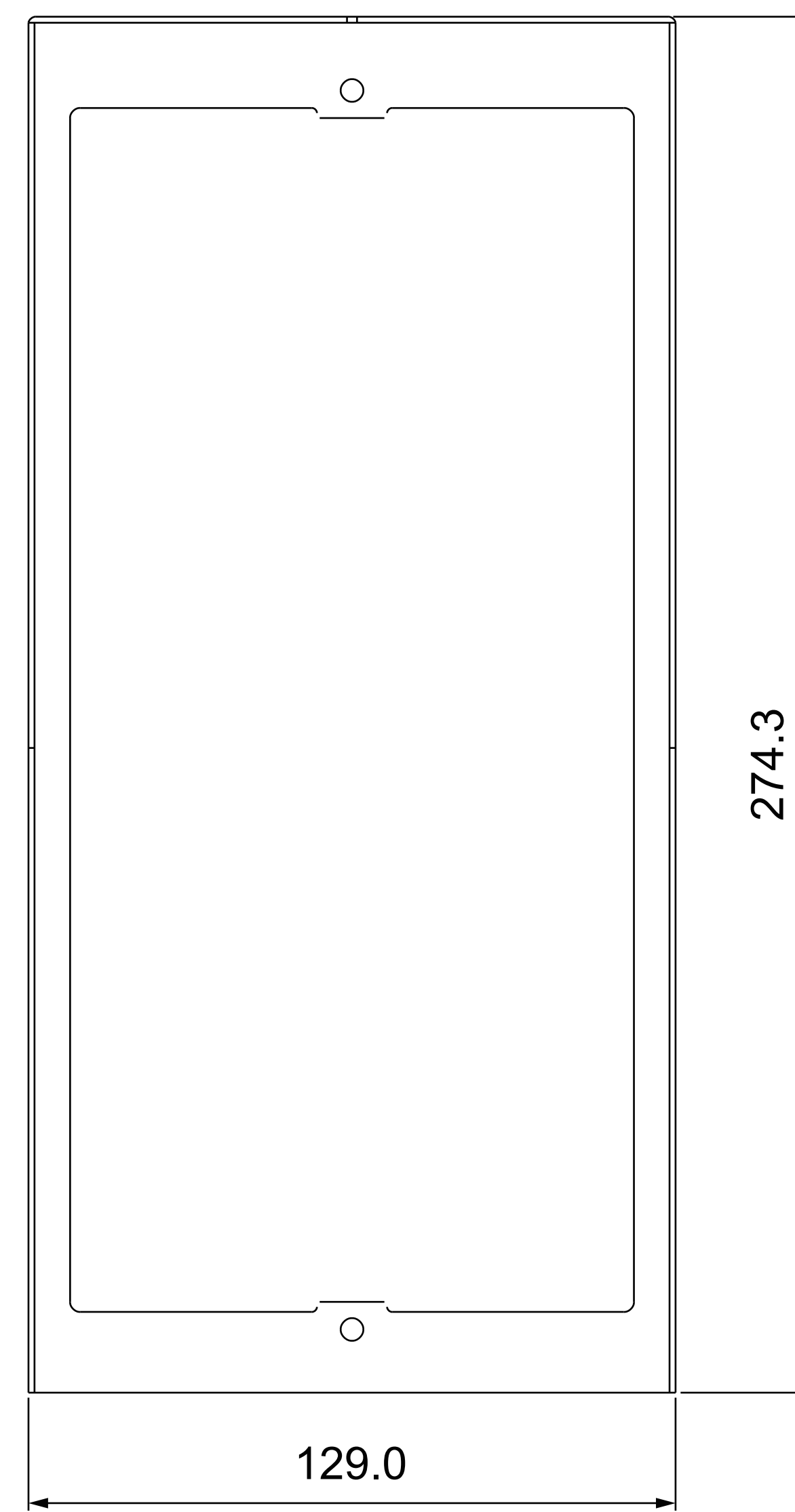
9 of 10



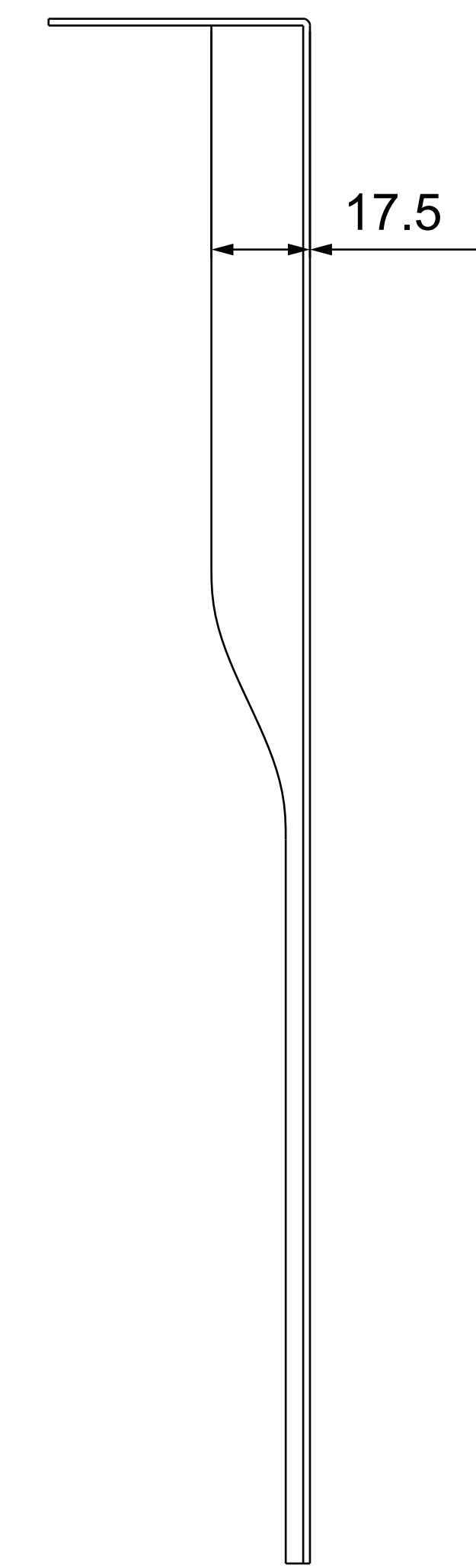
⑥ **BOTTOM VIEW**



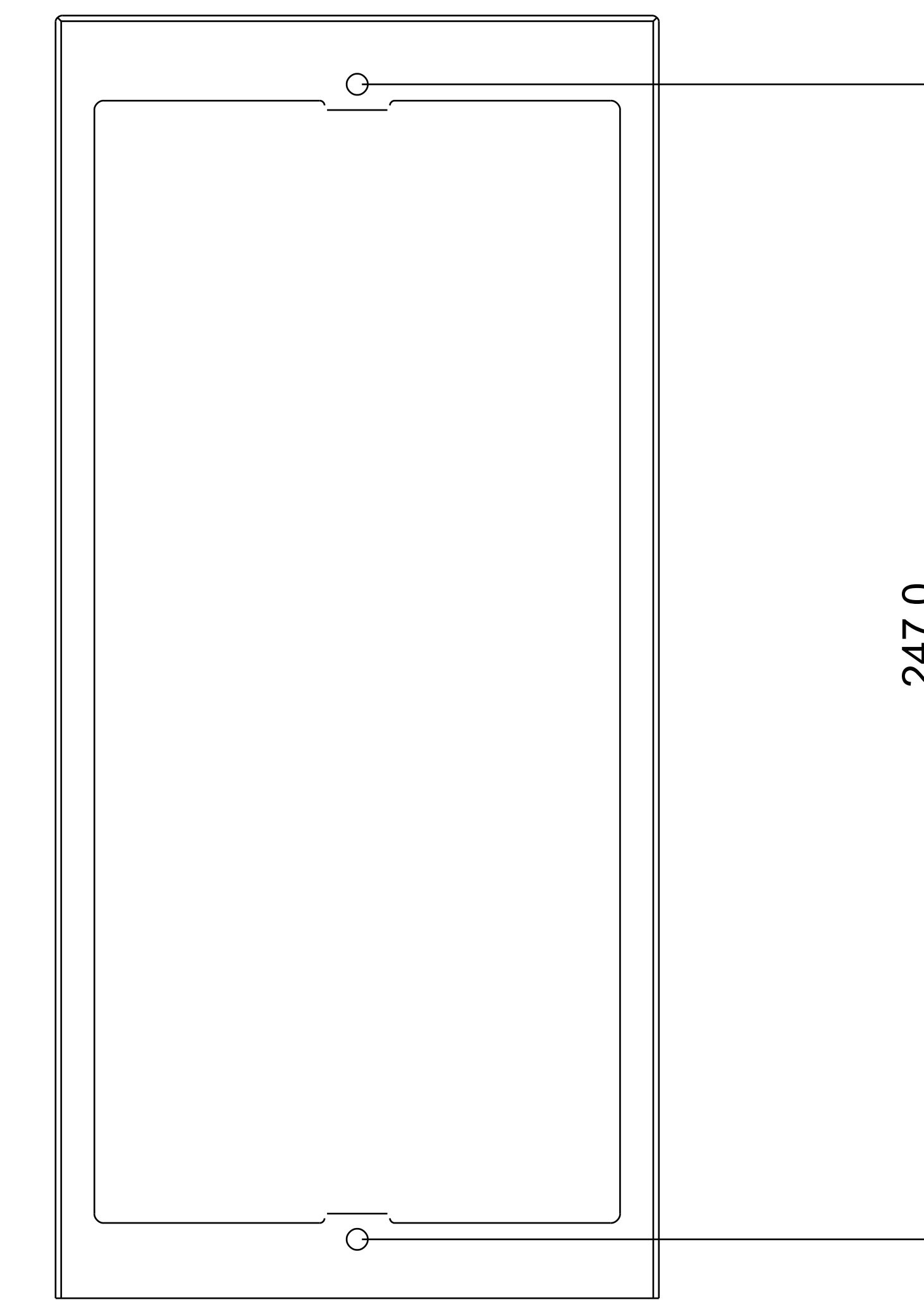
② **RIGHT VIEW**



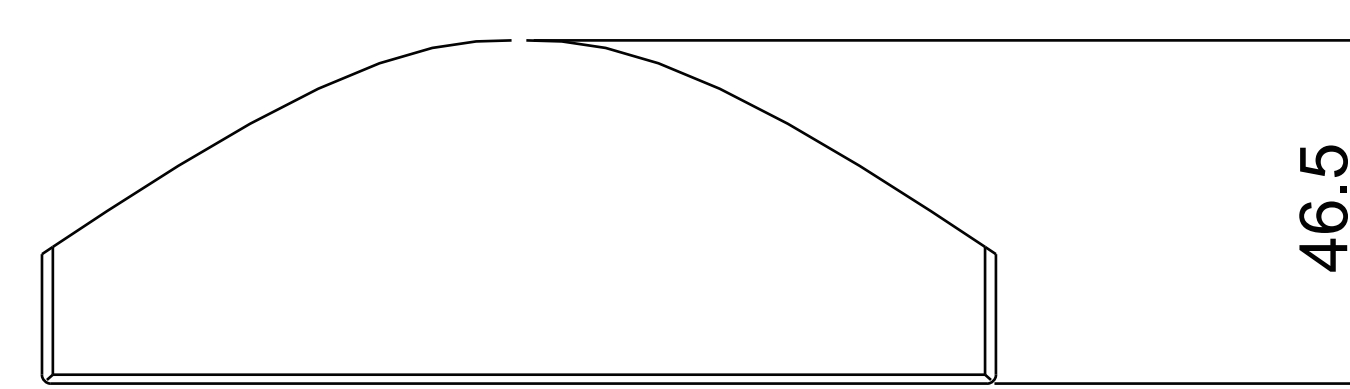
① **FRONT VIEW**



③ **LEFT VIEW**



④ **BACK VIEW**



⑤ **TOP VIEW**

Applicable Model
X912

Drawing Title
Placement

Drawing Unit
mm

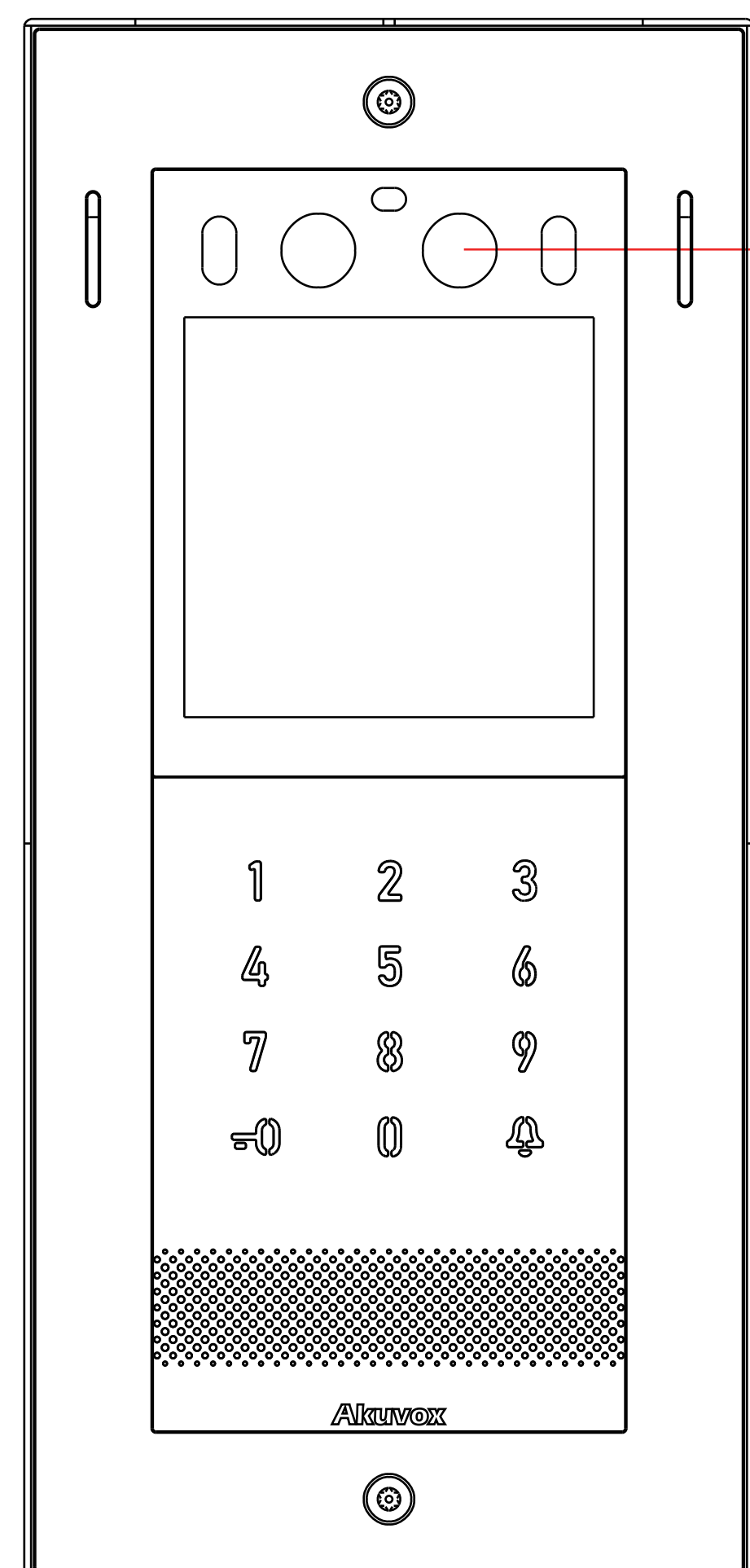
Drawing Scale
Not to scale

DRAFT
SUBJECT TO
CHANGE

Last Revised
Mar 07,2023

Drawing Version
V1.0

Page
10 of 10

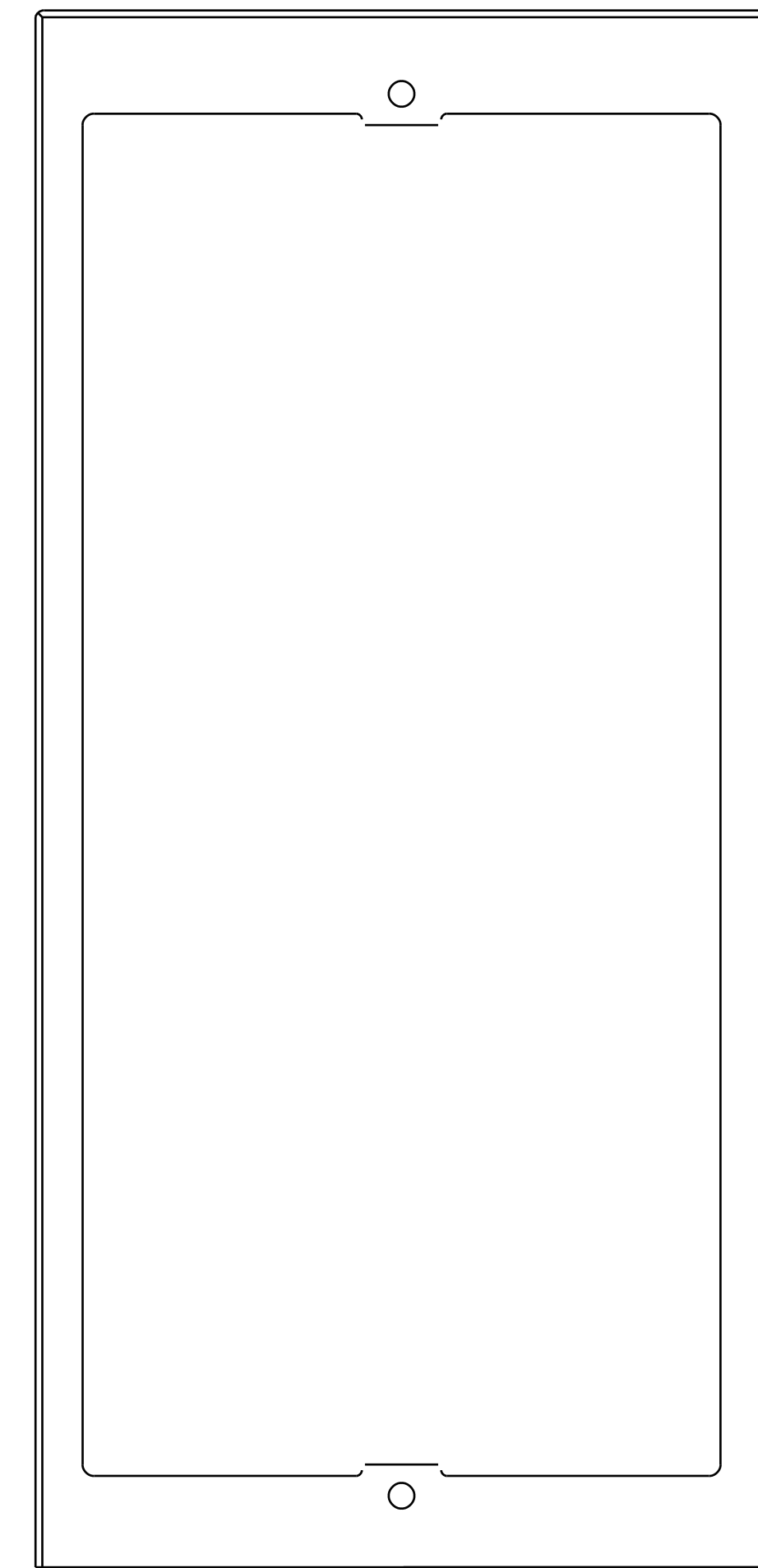


① INTERCOM PANEL FRONT VIEW

1266mm TO BOTTON OF PANEL

1500mm TO CENTER OF CAMERA

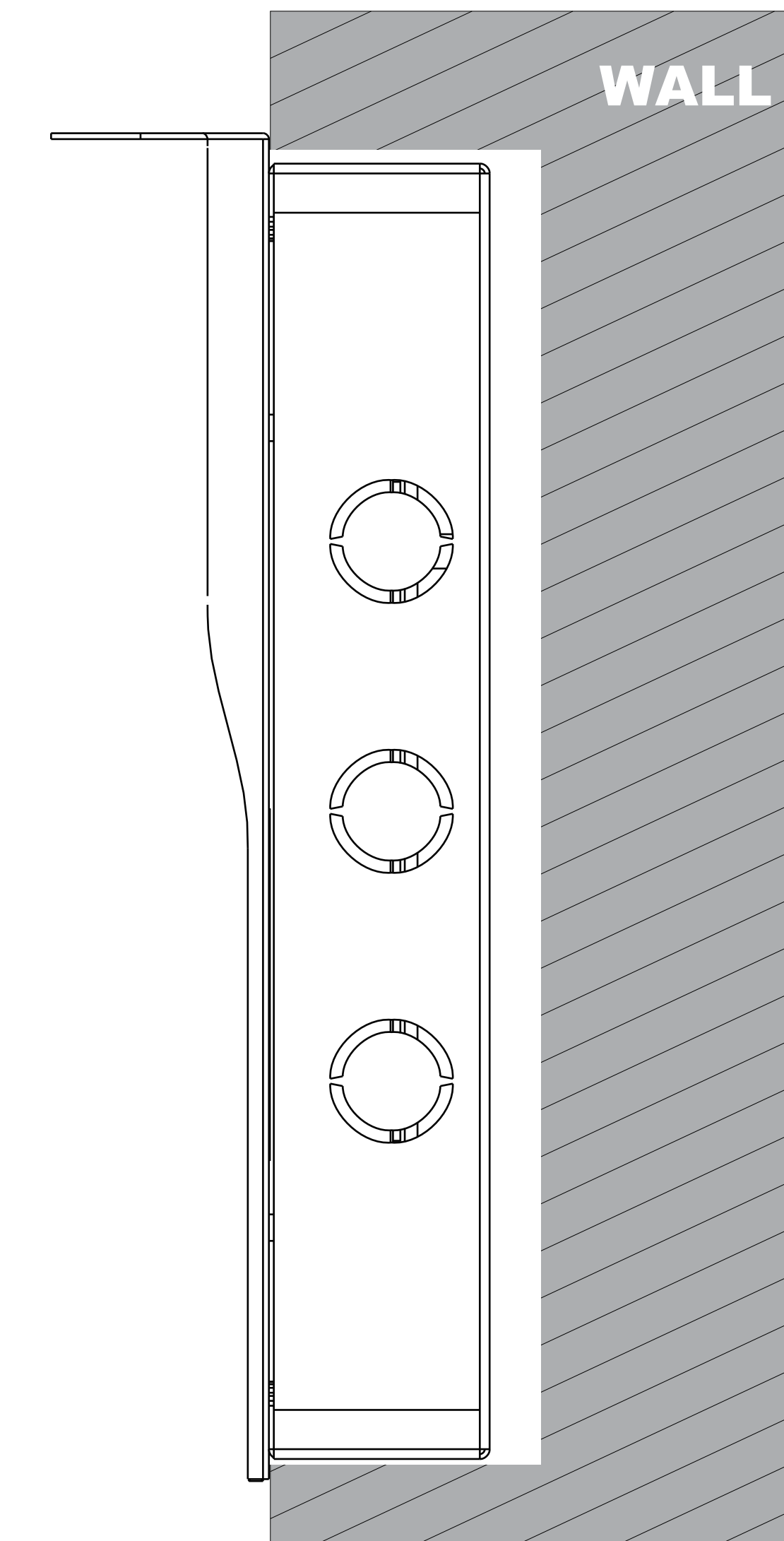
GROUND



② FRONT VIEW: IN-WALL MOUNTING RAIN COVER PLACEMENT

1266mm TO BOTTOM OF BRACKET

GROUND



③ SIDE VIEW:INTERCOM IN WALL