

Applicable Model

S539

Drawing Title

Intercom Panel

Drawing Unit

mm

Drawing Scale

Not to scale

**DRAFT
SUBJECT TO
CHANGE**

Last Revised

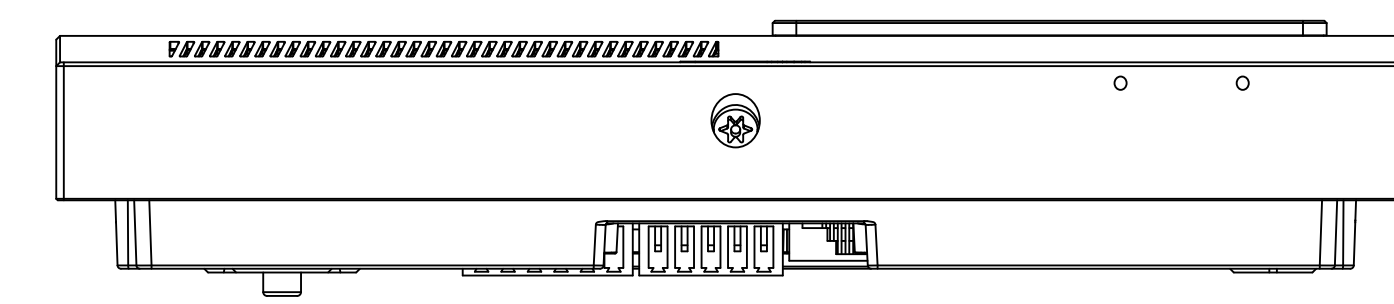
Oct 18,2022

Drawing Version

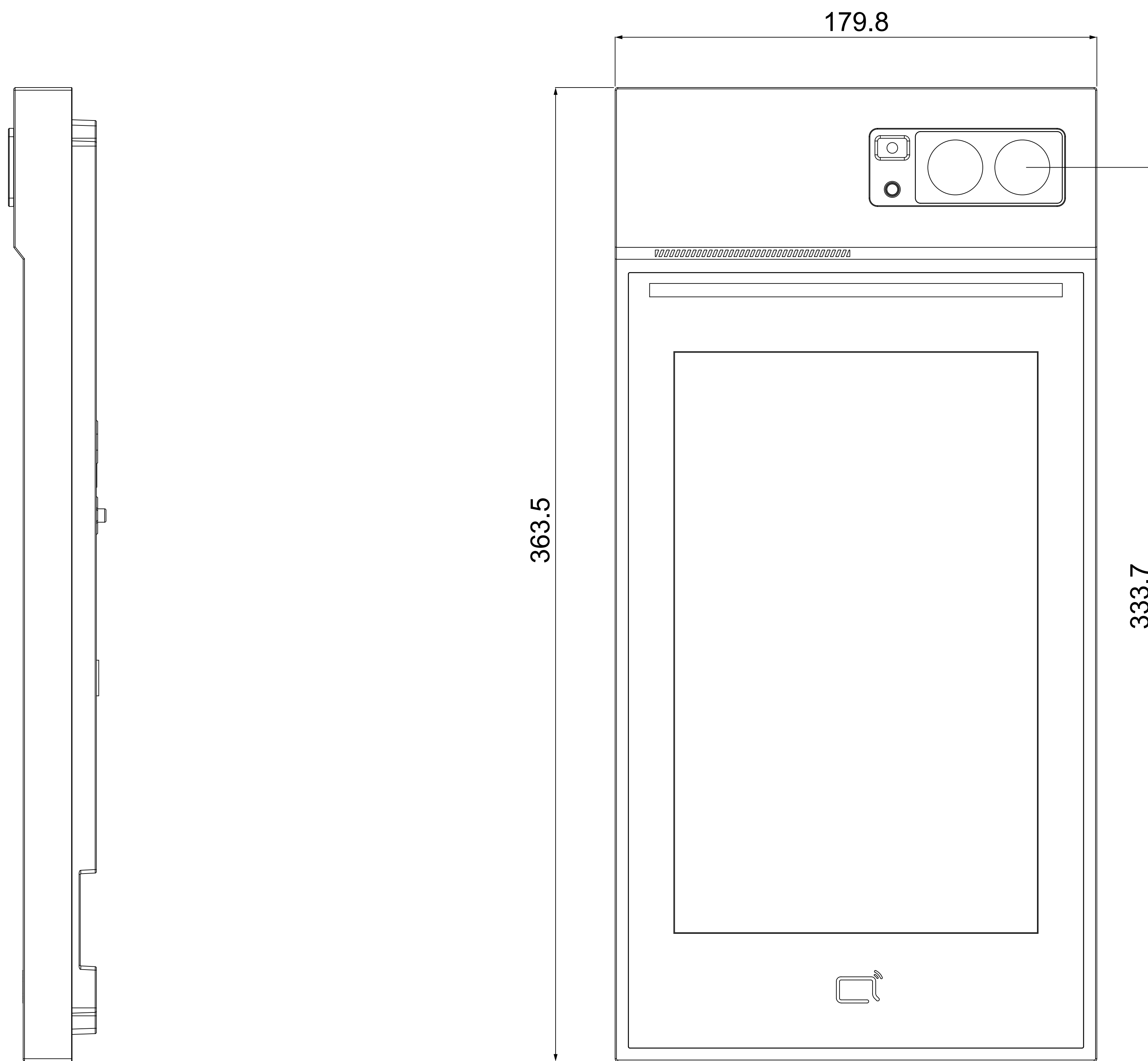
V1.0

Page

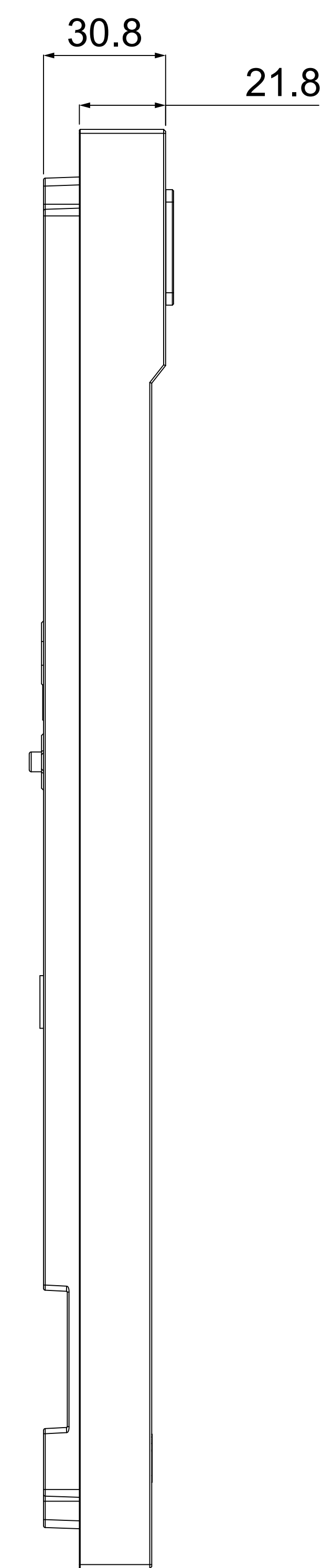
1 of 3



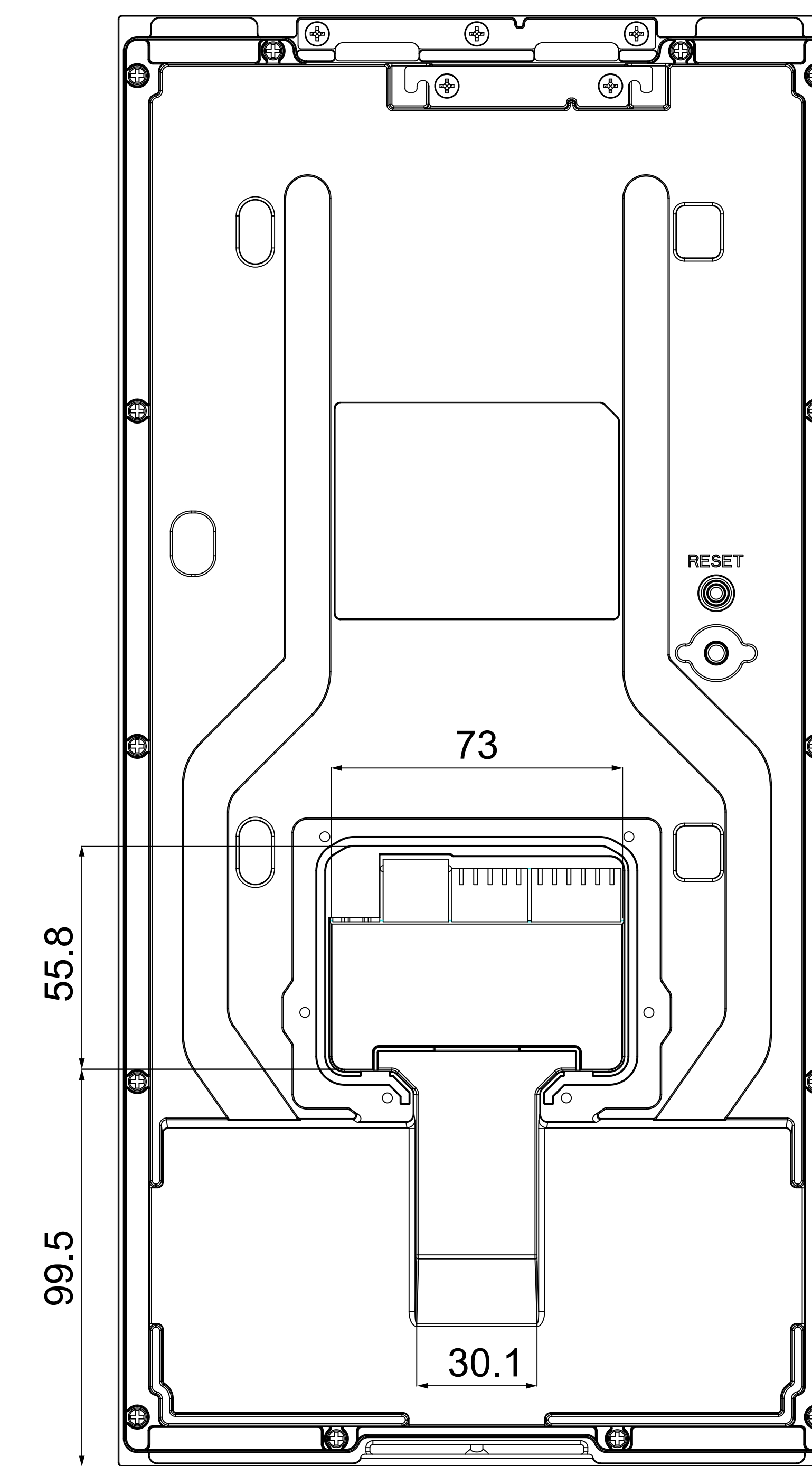
6 **BOTTOM VIEW**



1 **FRONT VIEW**

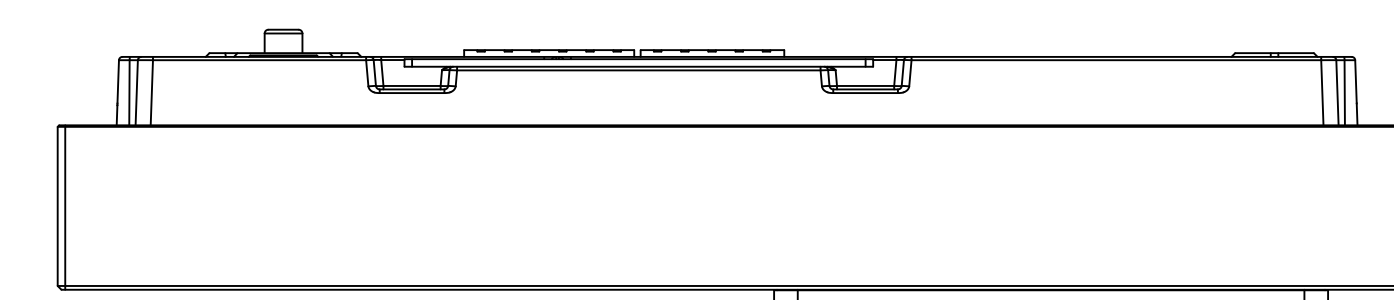


3 **LEFT VIEW**



4 **BACK VIEW**

2 **RIGHT VIEW**



5 **TOP VIEW**

Applicable Model

S539

Drawing Title

Wall Mounting Bracket

Drawing Unit

mm

Drawing Scale

Not to scale

**DRAFT
SUBJECT TO
CHANGE**

Last Revised

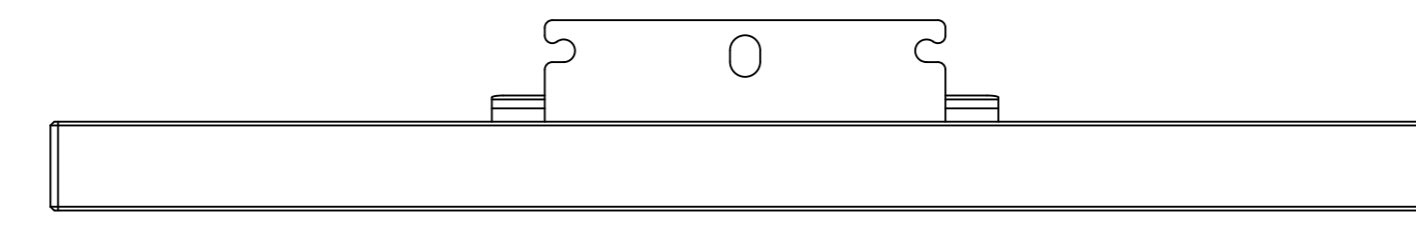
Oct 18,2022

Drawing Version

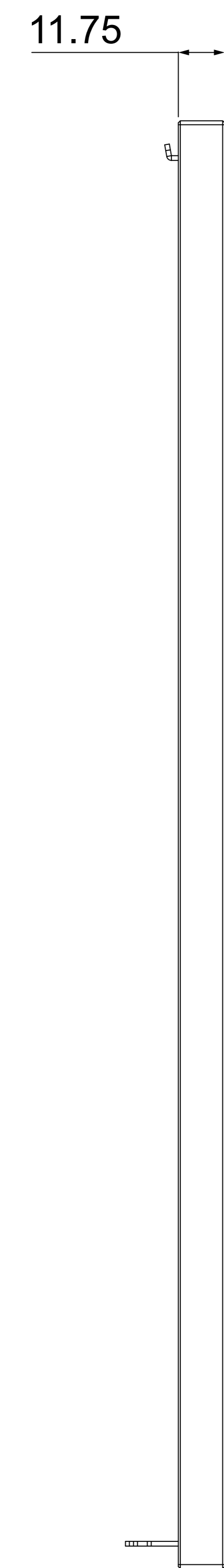
V1.0

Page

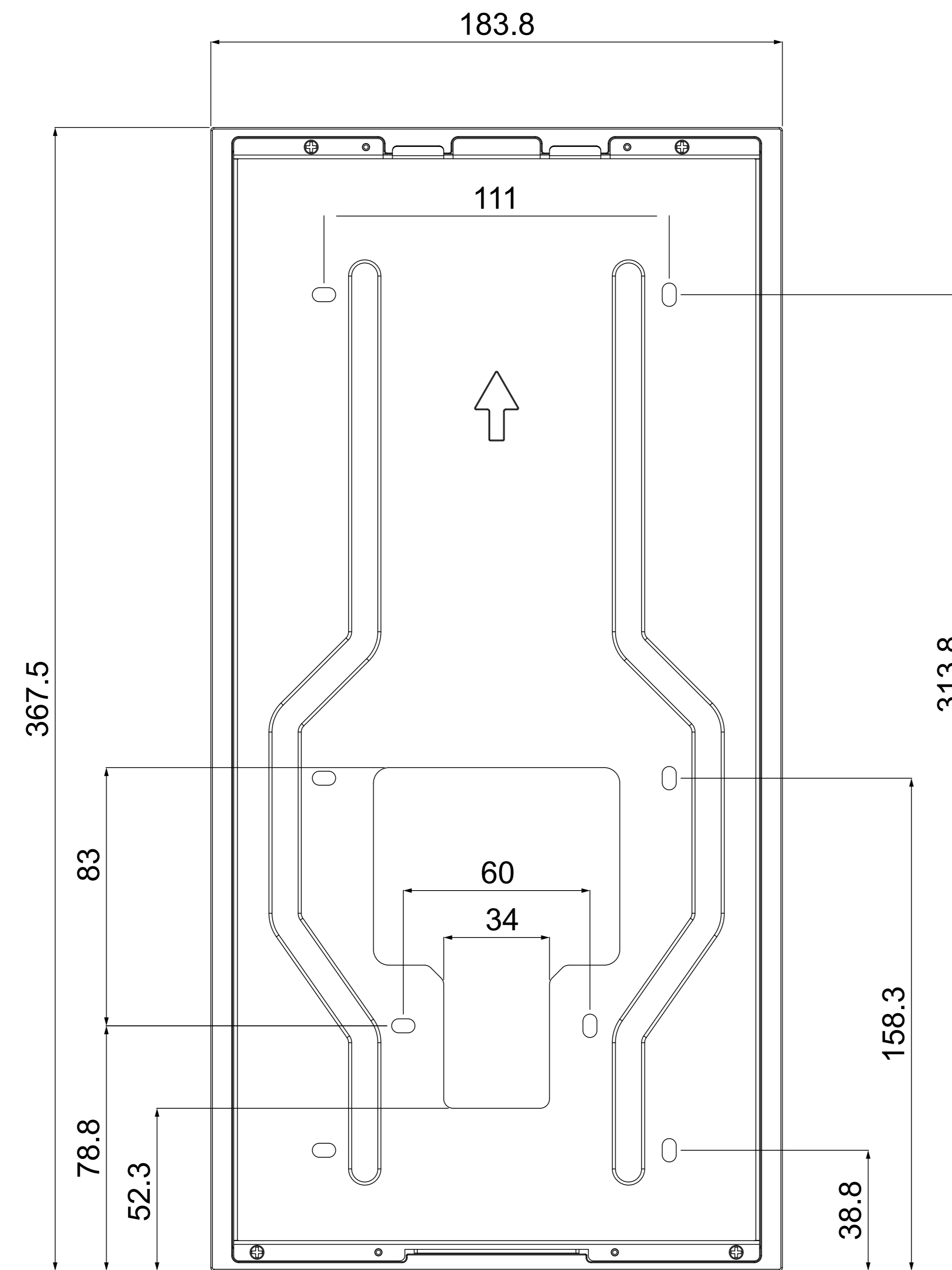
2 of 3



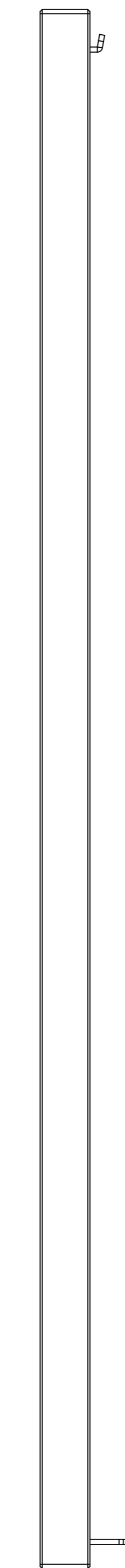
6 **BOTTOM VIEW**



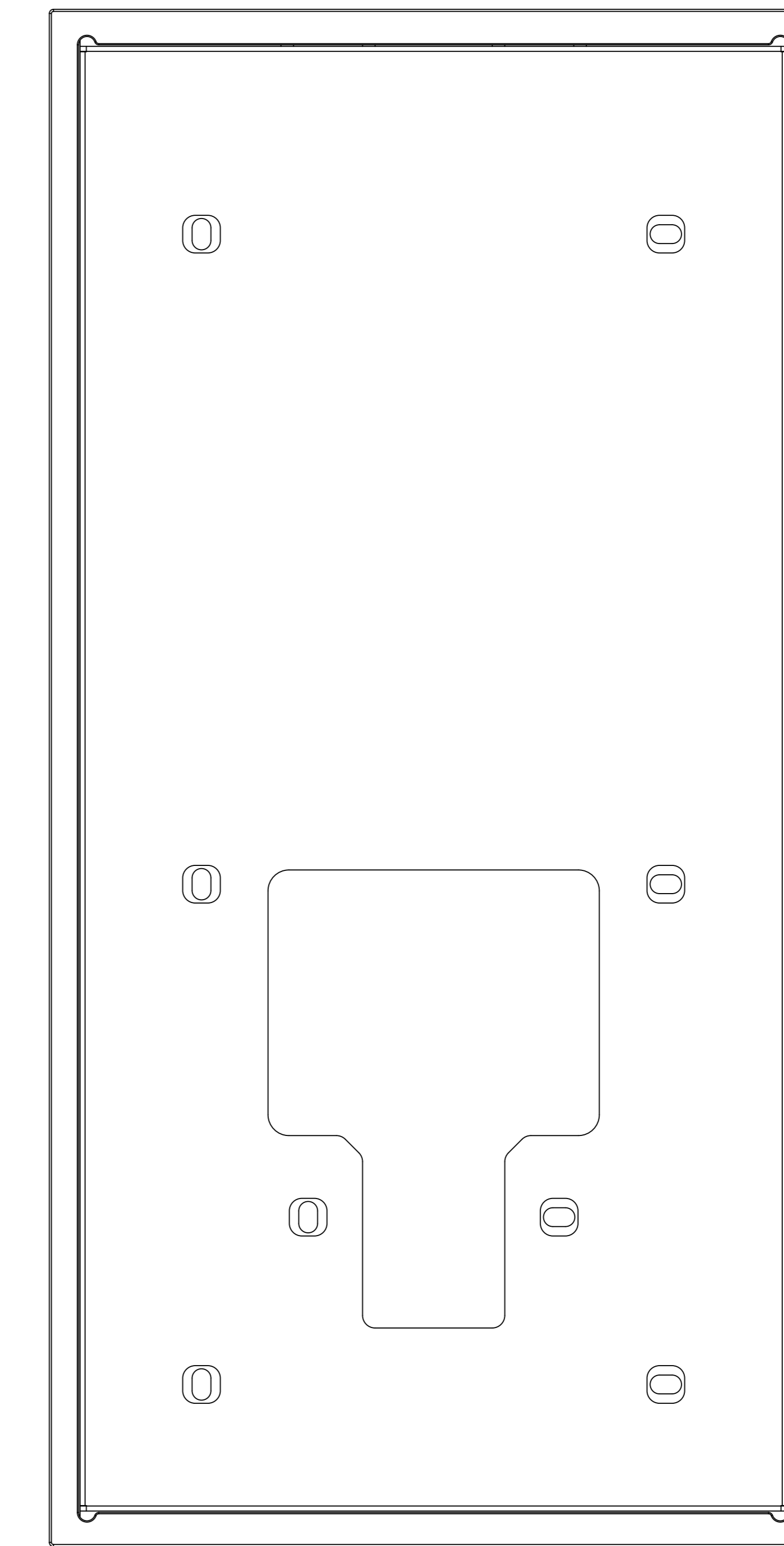
2 **RIGHT VIEW**



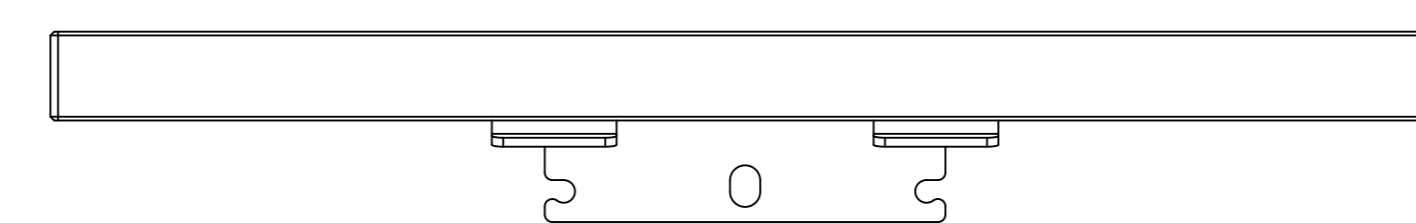
1 **FRONT VIEW**



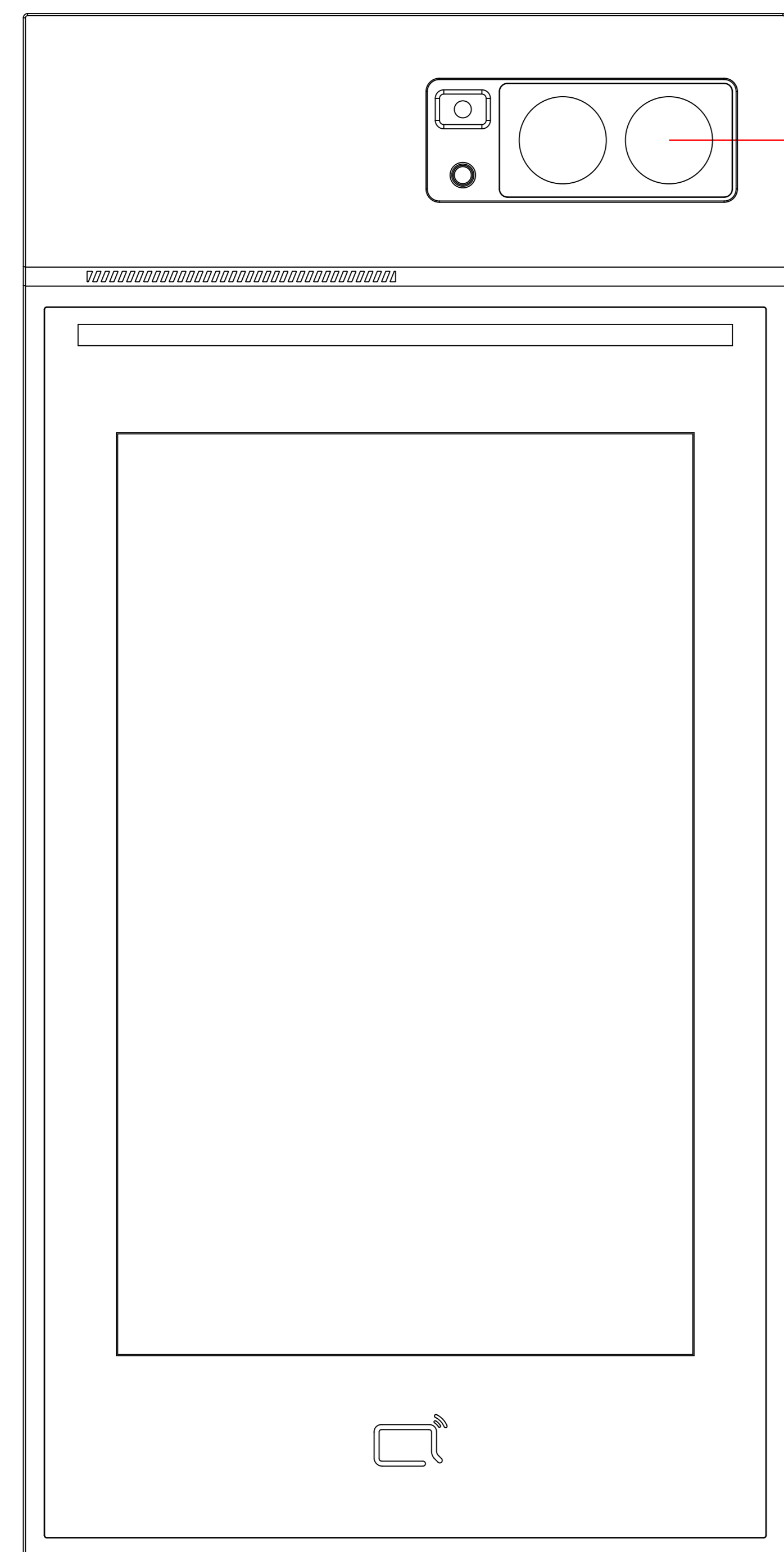
3 **LEFT VIEW**



4 **BACK VIEW**



5 **TOP VIEW**

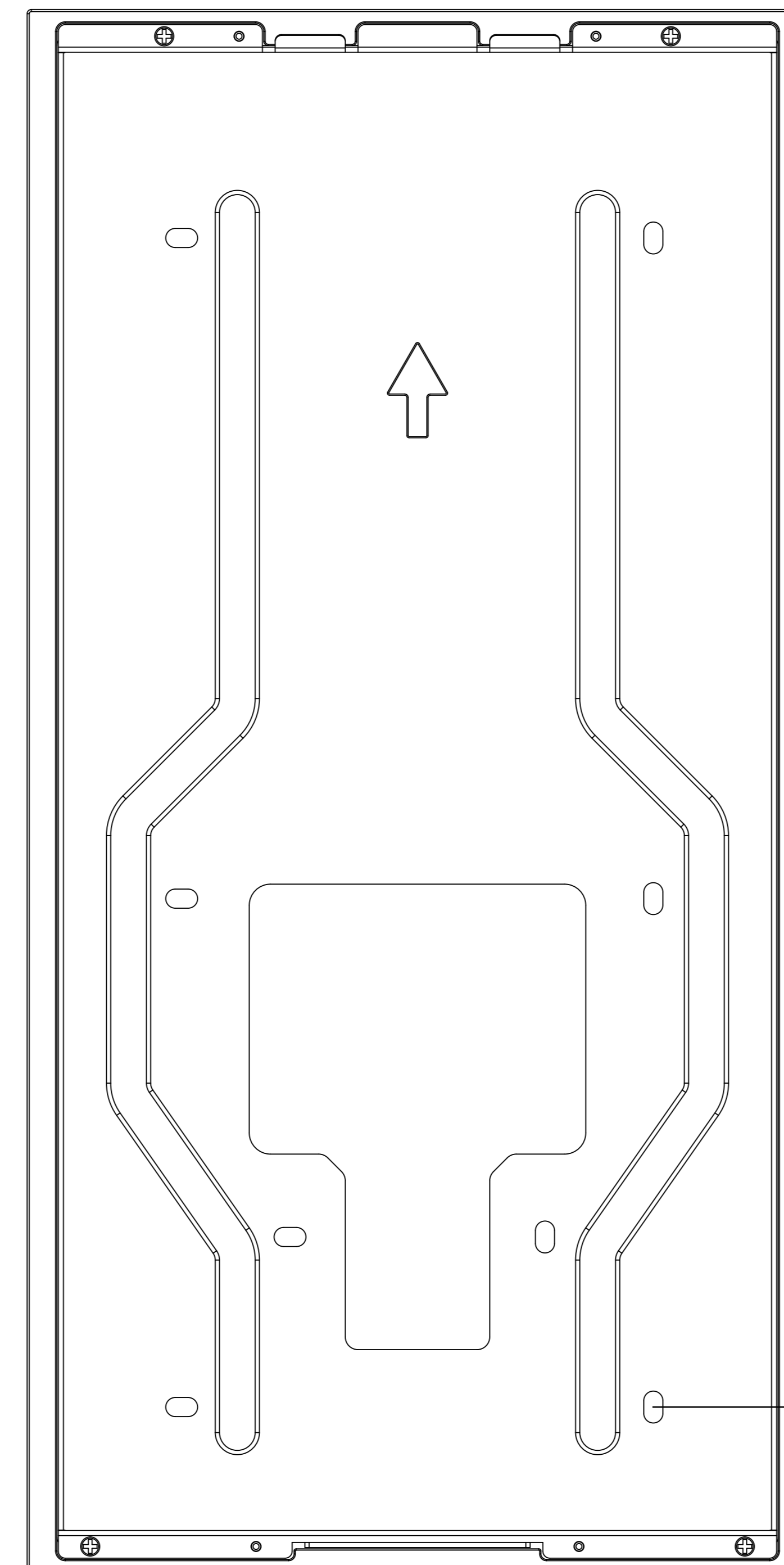


① INTERCOM PANEL FRONT VIEW

1166mm TO BOTTON OF PANEL

1500mm TO CENTER OF CAMERA

GROUND

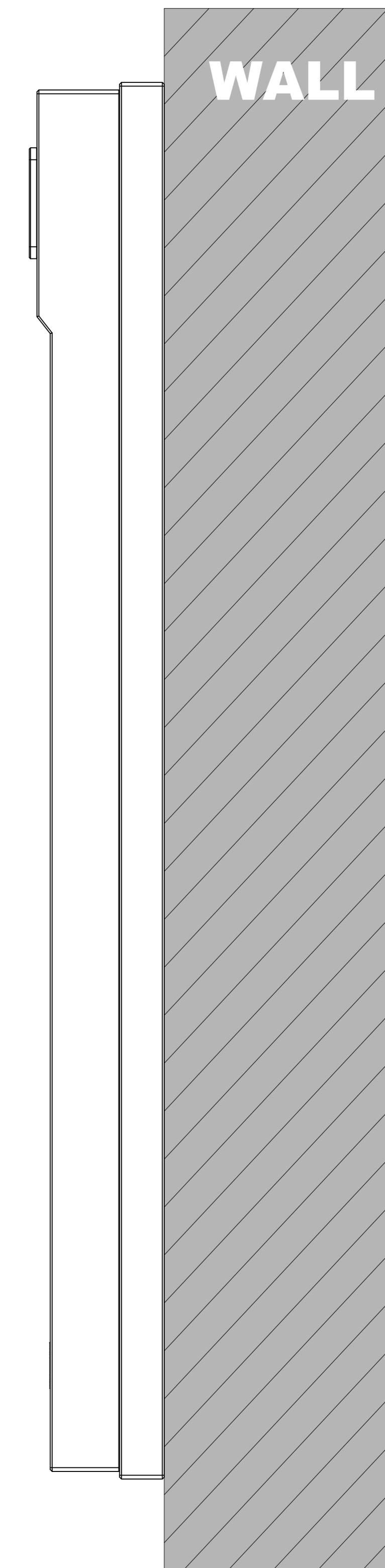


② BRACKET PLACEMENT

1164mm TO BOTTON OF BRACKET

1203mm TO SCREW HOLE CENTER OF BRACKET

GROUND



③ SIDE VIEW:INTERCOM ON WALL

WALL

Applicable Model

S539

Drawing Title

Flush Mounting Box

Drawing Unit

mm

Drawing Scale

Not to scale

**DRAFT
SUBJECT TO
CHANGE**

Last Revised

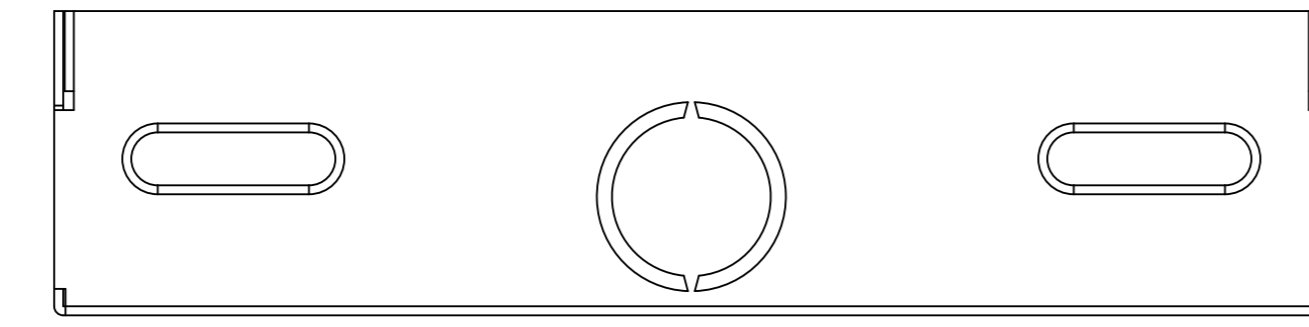
Oct 18, 2022

Drawing Version

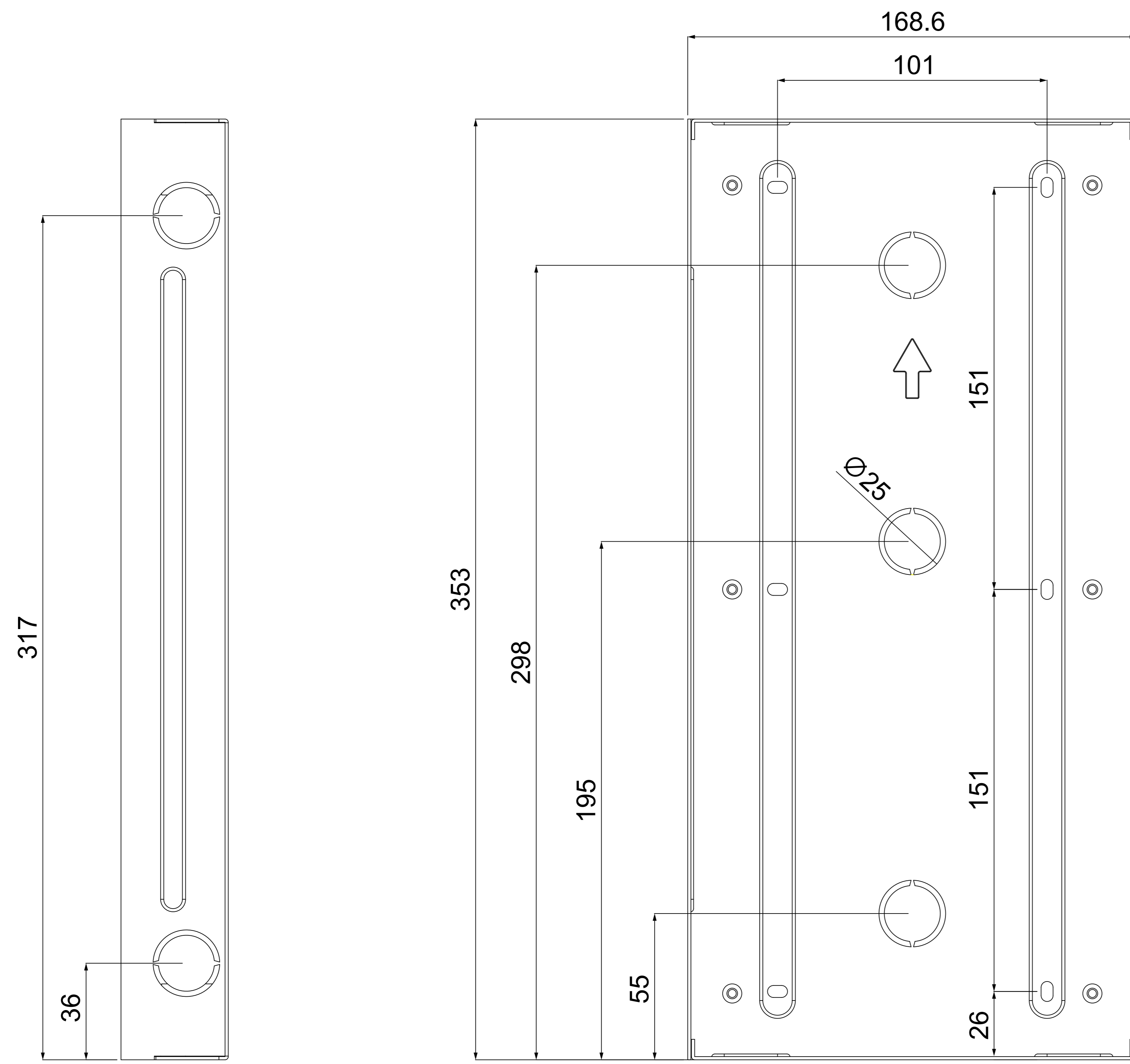
V1.0

Page

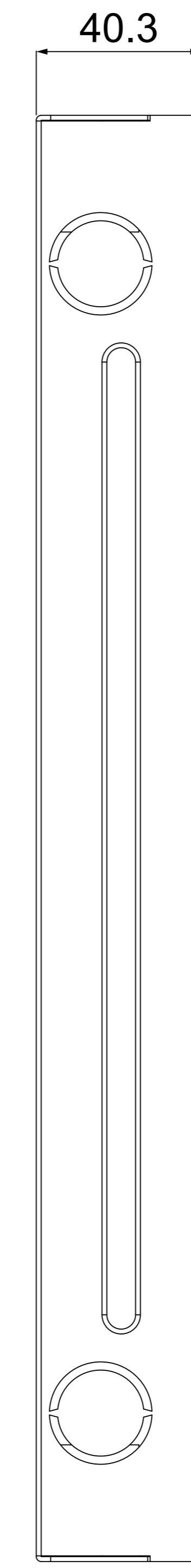
2 of 3



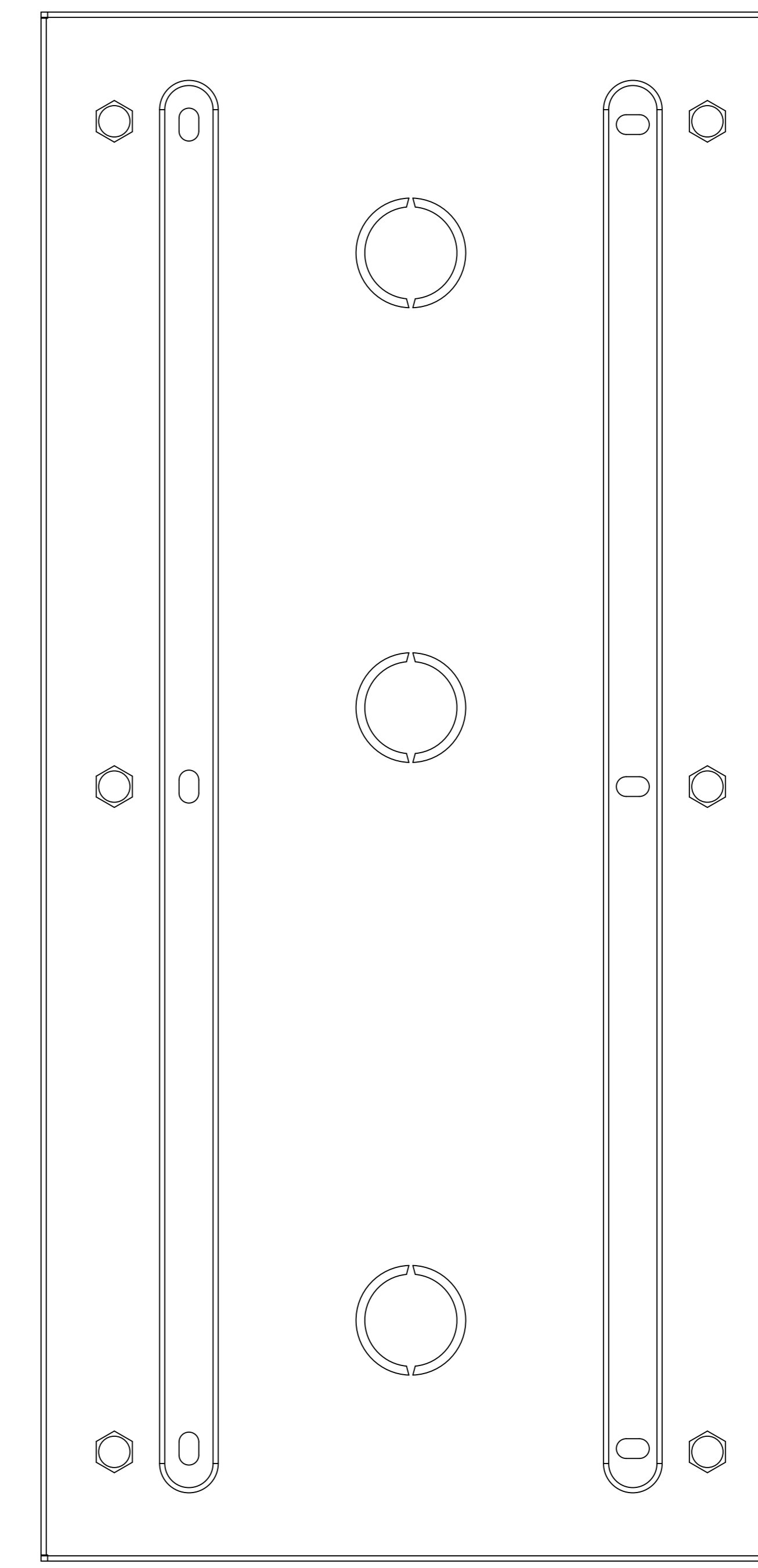
6 **BOTTOM VIEW**



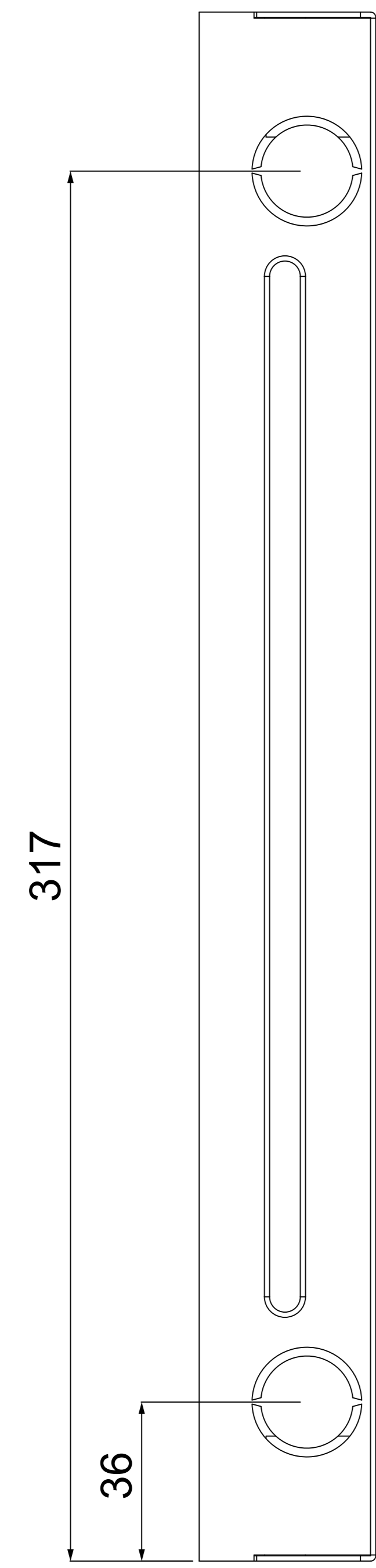
1 **FRONT VIEW**



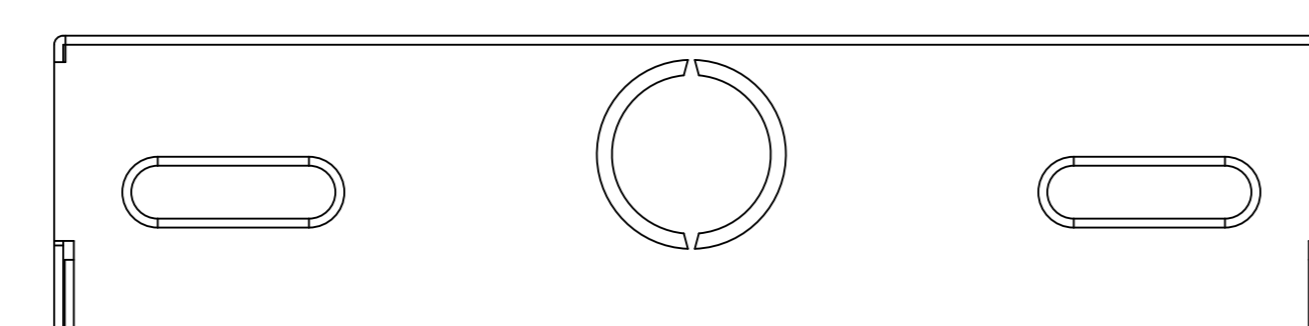
3 **LEFT VIEW**



4 **BACK VIEW**



2 **RIGHT VIEW**



5 **TOP VIEW**

Applicable Model

S539

Drawing Title

Placement

Drawing Unit

mm

Drawing Scale

Not to scale

**DRAFT
SUBJECT TO
CHANGE**

Last Revised

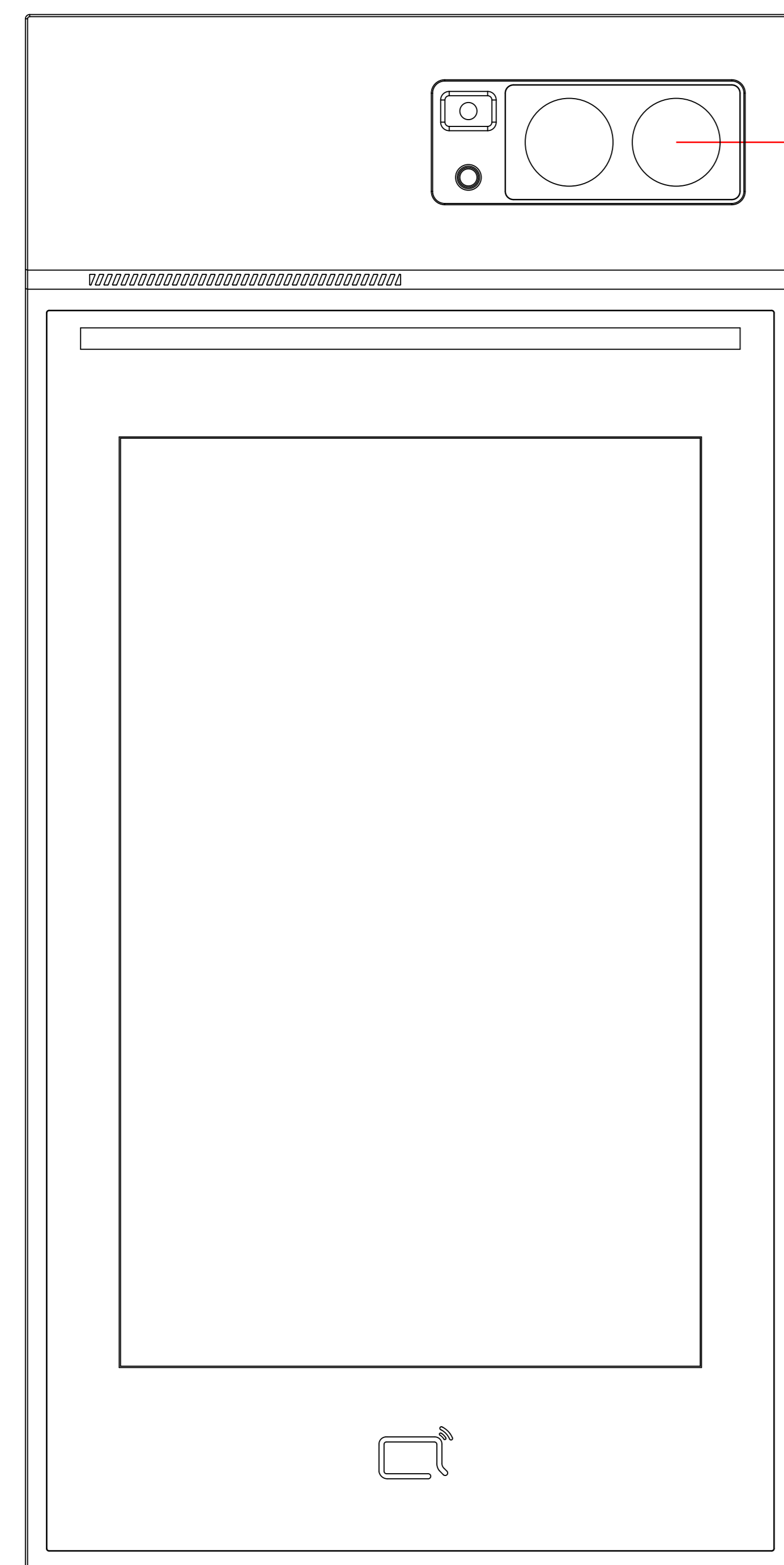
Oct 18,2022

Drawing Version

V1.0

Page

3 of 3

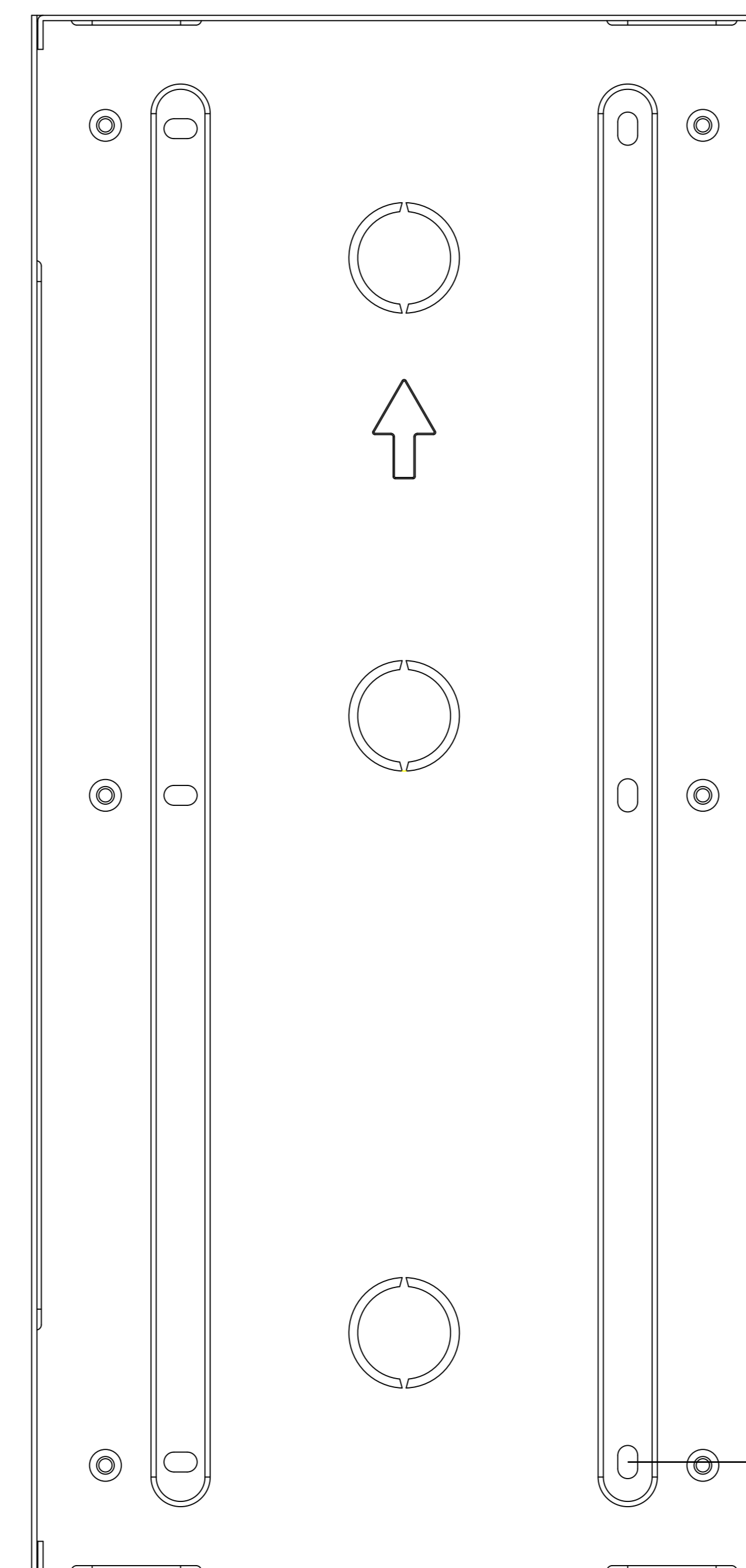


① INTERCOM PANEL FRONT VIEW

1166mm TO BOTTON OF PANEL

1500mm TO CENTER OF CAMERA

GROUND

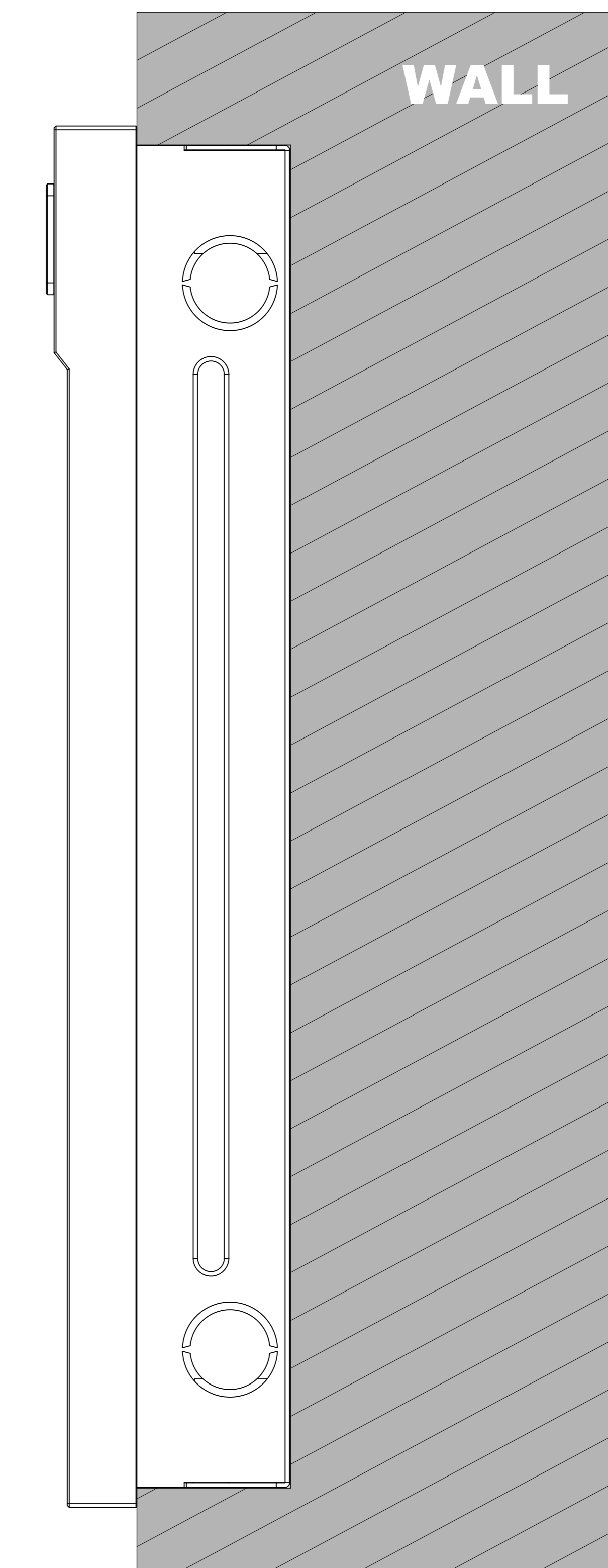


② BRACKET PLACEMENT

1172mm TO BOTTON OF BRACKET

1198mm TO SCREW HOLE CENTER OF BRACKET

GROUND



③ SIDE VIEW:INTERCOM IN WALL

WALL