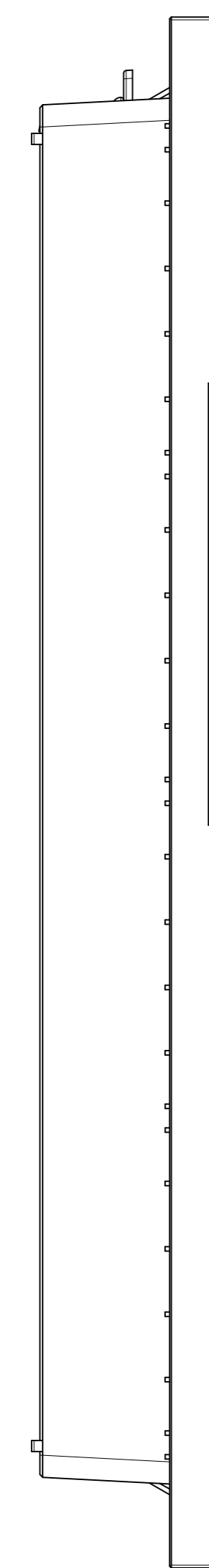
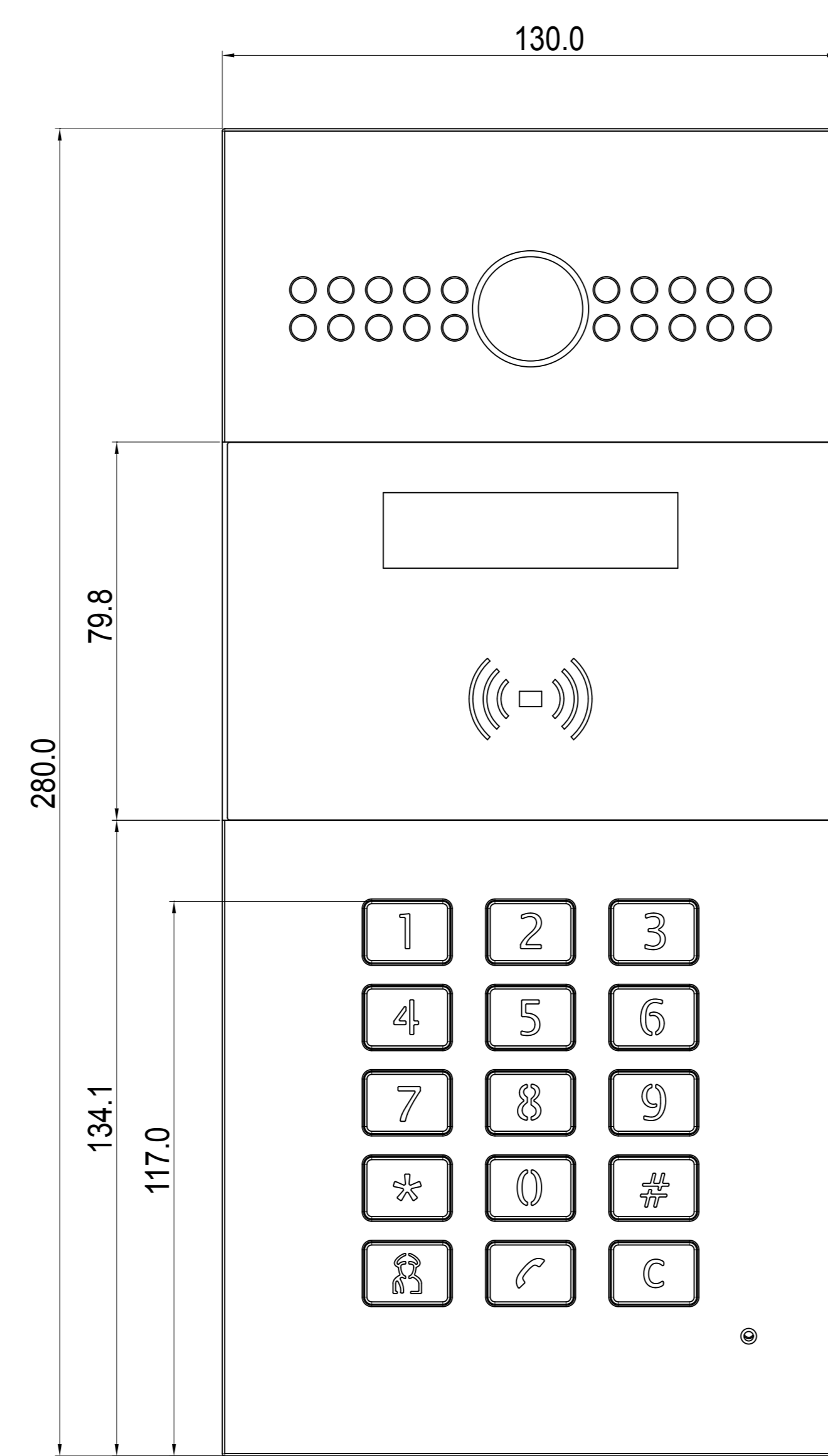


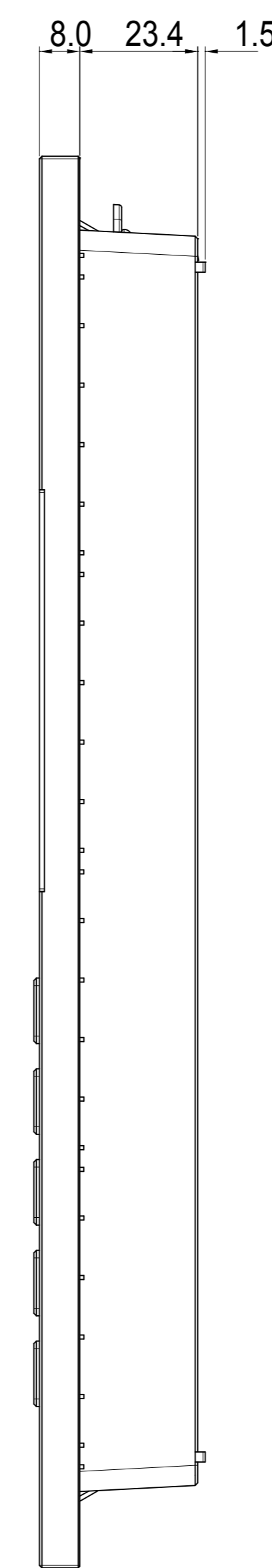
5 TOP VIEW



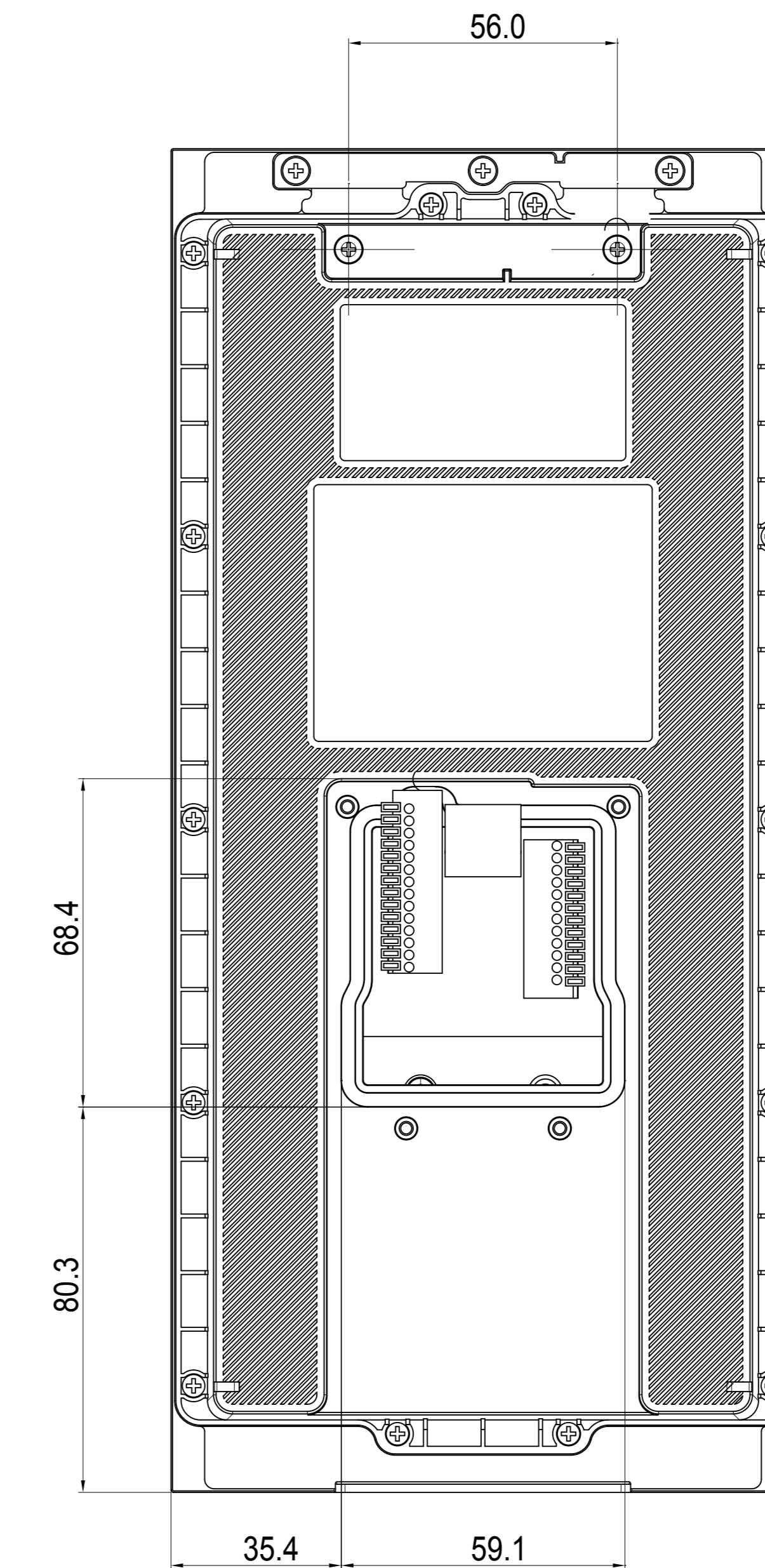
2 RIGHT VIEW



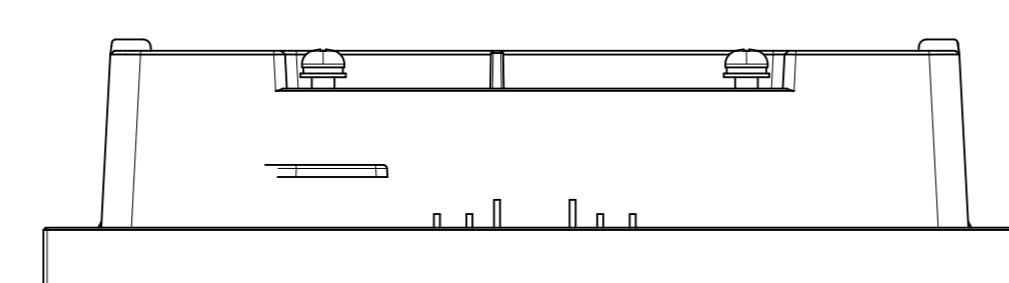
1 FRONT VIEW



3 LEFT VIEW



4 BACK VIEW



6 BOTTOM VIEW

**Applicable Model**

R27

**Drawing Title**

Wall Mounting Box

**Drawing Unit**

mm

**Drawing Scale**

Not to scale

**DRAFT  
SUBJECT TO  
CHANGE**

**Last Revised**

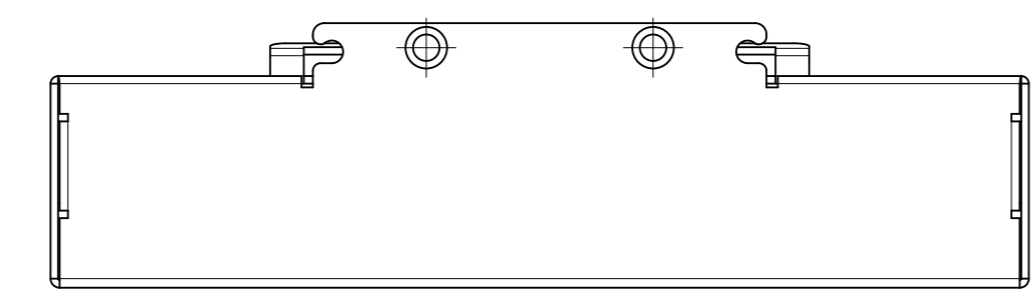
Apr 25,2020

**Drawing Version**

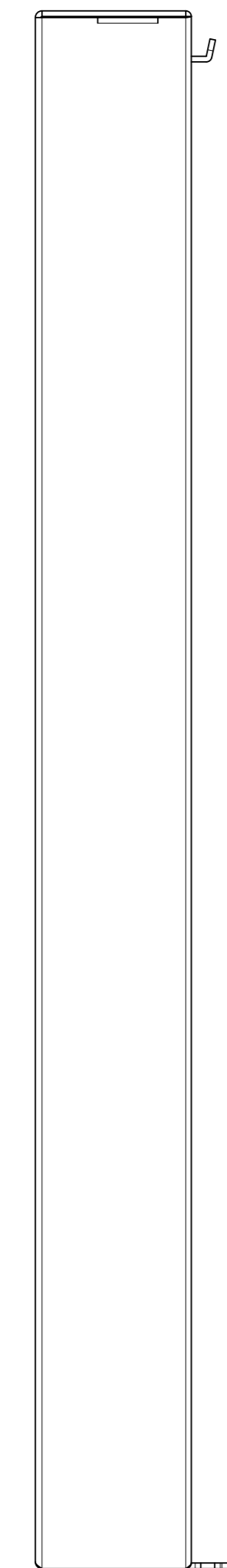
V1.0

**Page**

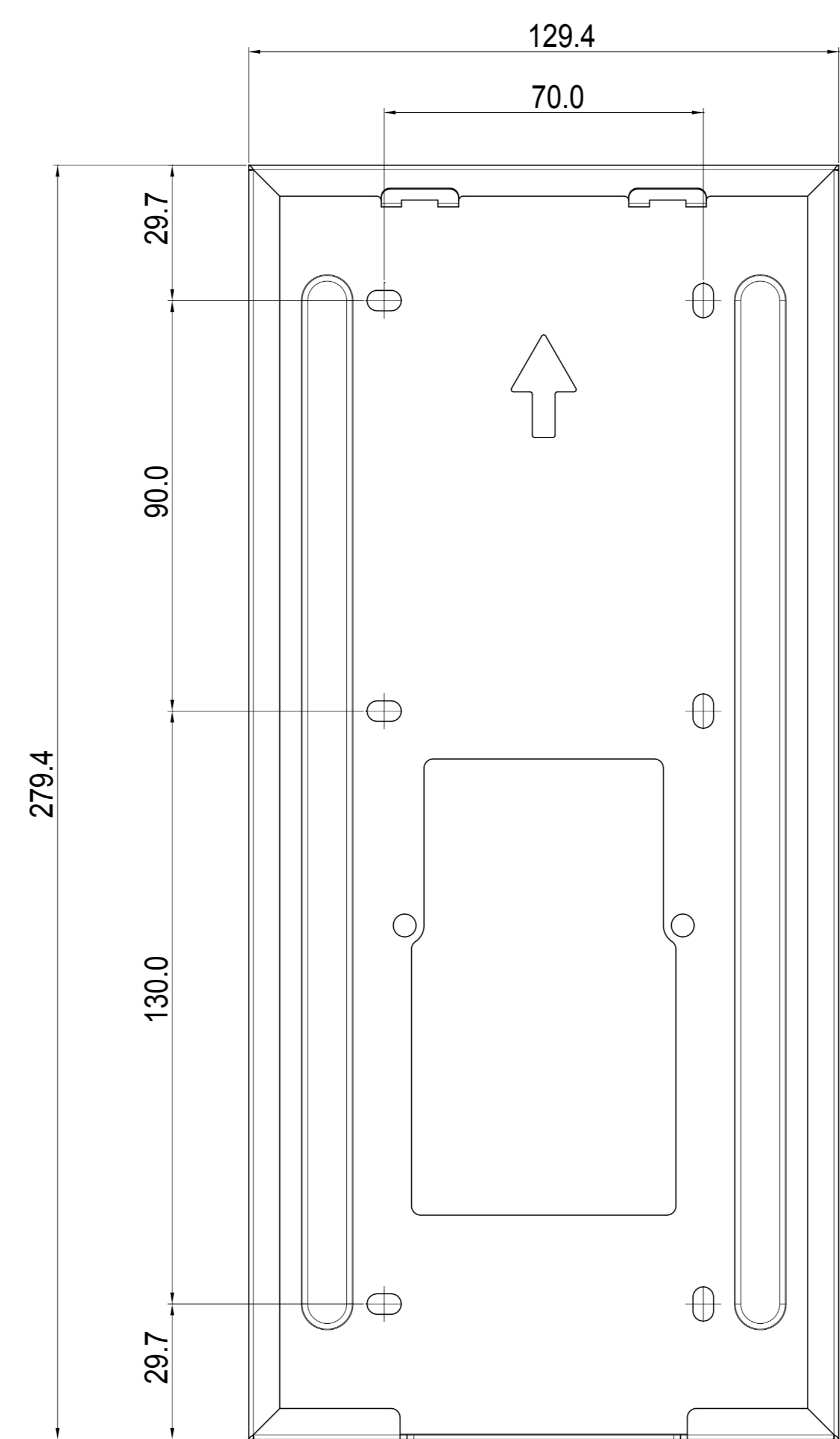
2 of 6



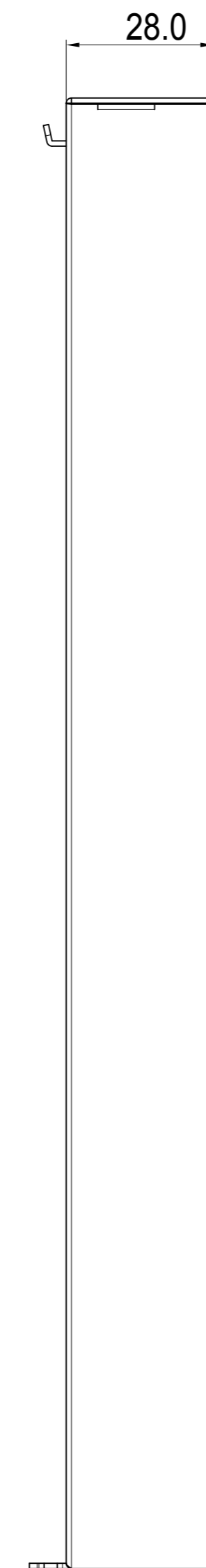
5 **TOP VIEW**



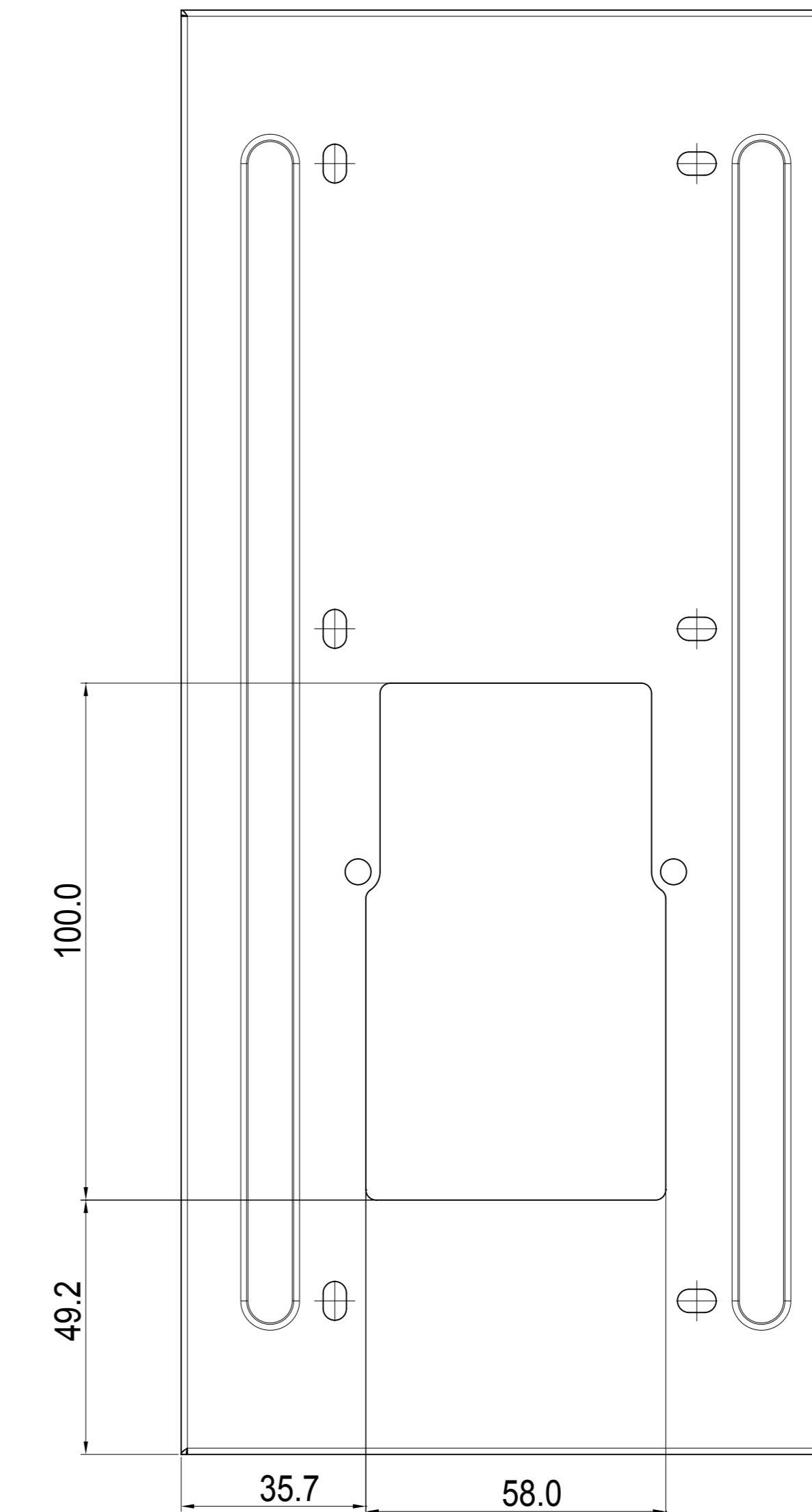
2 **RIGHT VIEW**



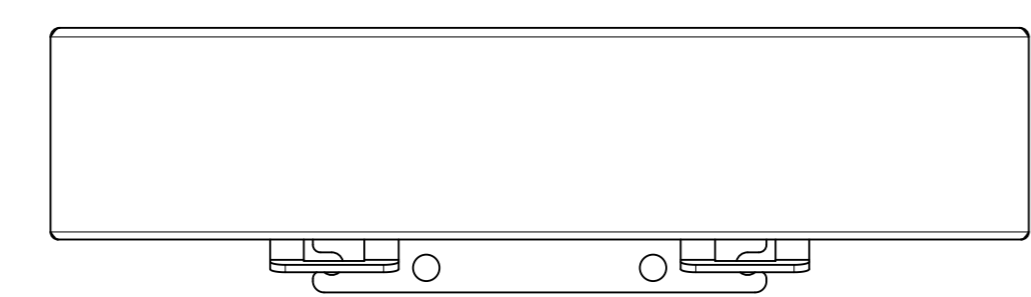
1 **FRONT VIEW**



3 **LEFT VIEW**



4 **BACK VIEW**



6 **BOTTOM VIEW**

**Applicable Model**  
R27

**Drawing Title**  
Placement

**Drawing Unit**  
mm

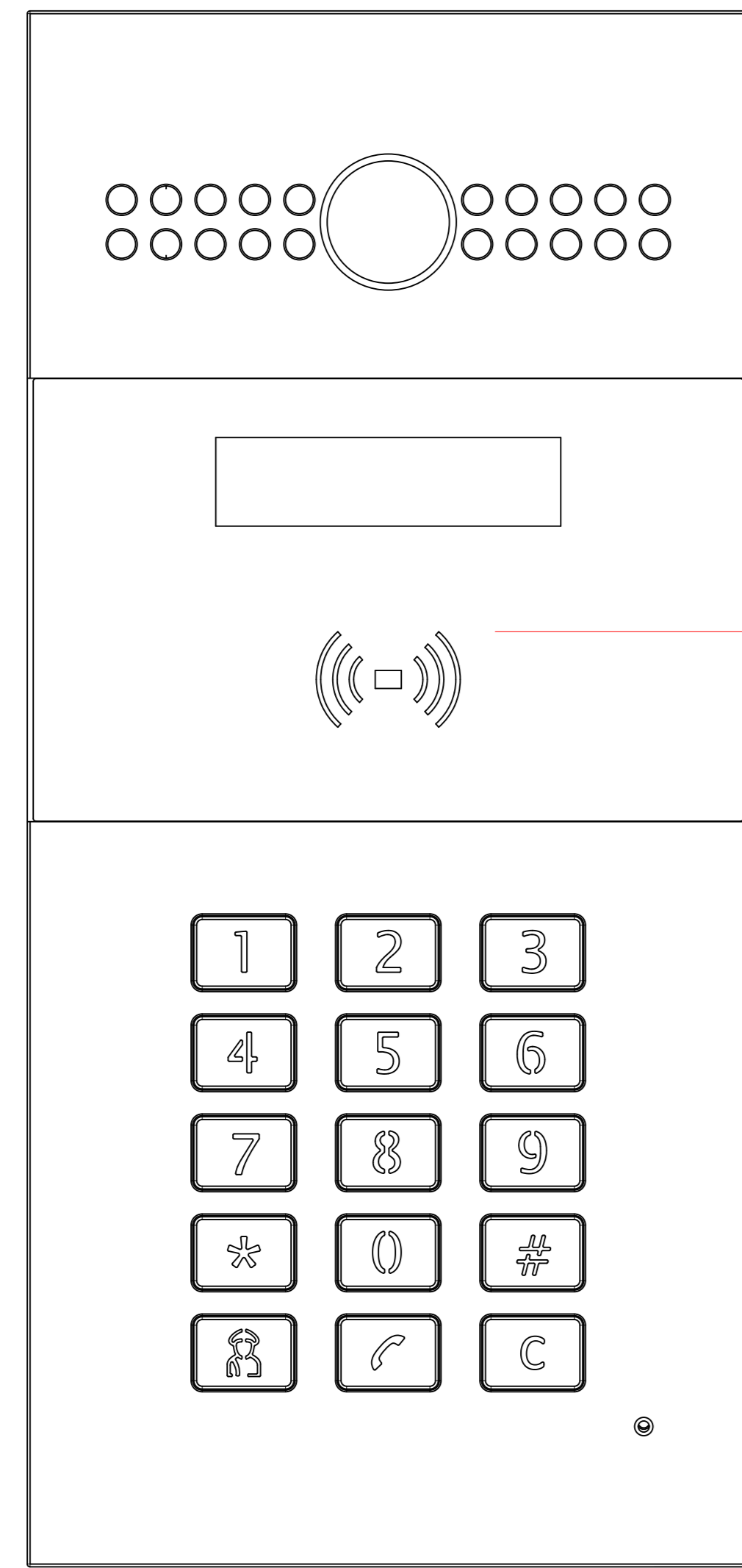
**Drawing Scale**  
Not to scale

**DRAFT  
SUBJECT TO  
CHANGE**

**Last Revised**  
Apr 25,2020

**Drawing Version**  
V1.0

**Page**  
3 of 6



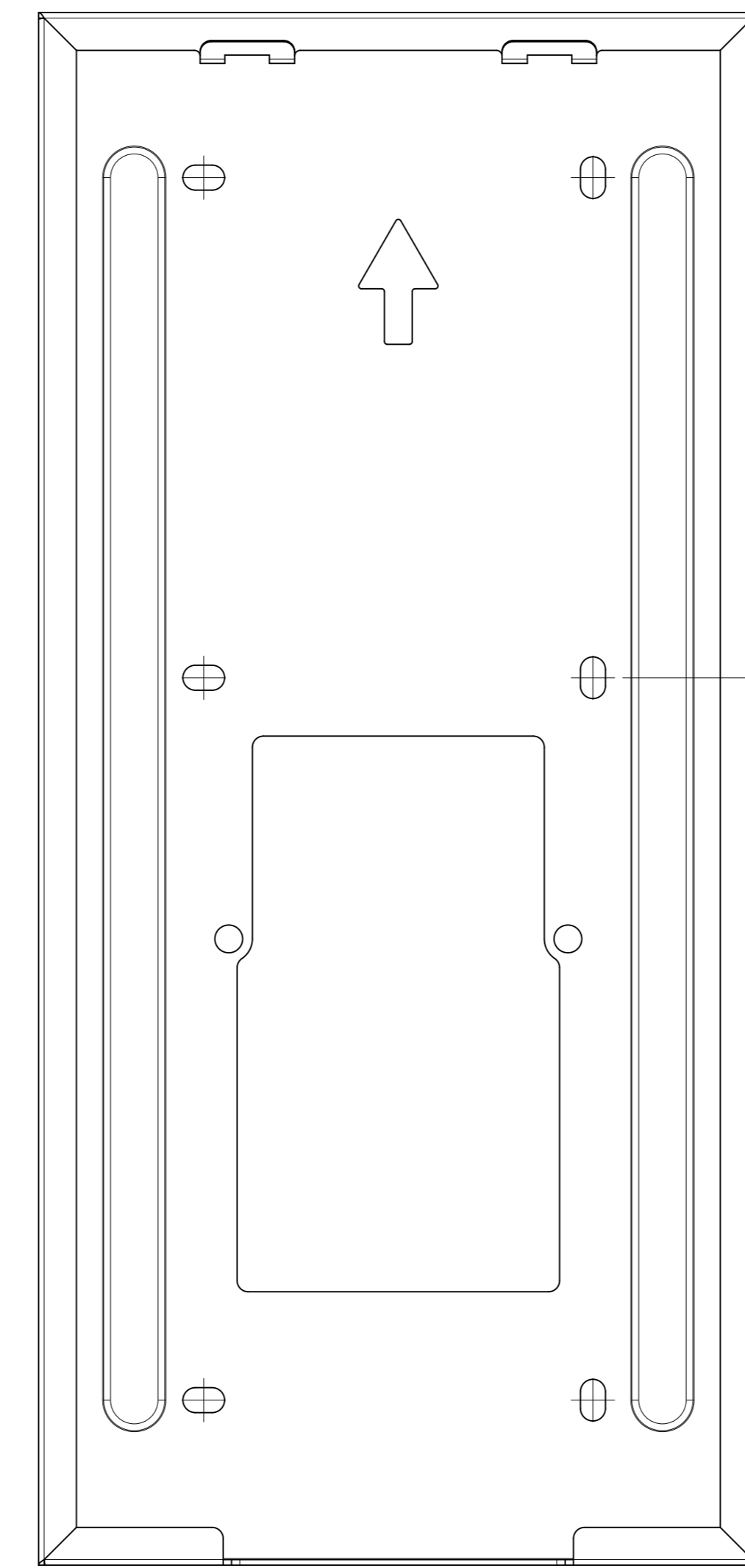
① INTERCOM PANEL FRONT VIEW

1100mm TO BOTTOM OF PANEL

1268mm MAX TO TOP OF USABLE PARTS

**ADA Compliance Requirement**

**GROUND**

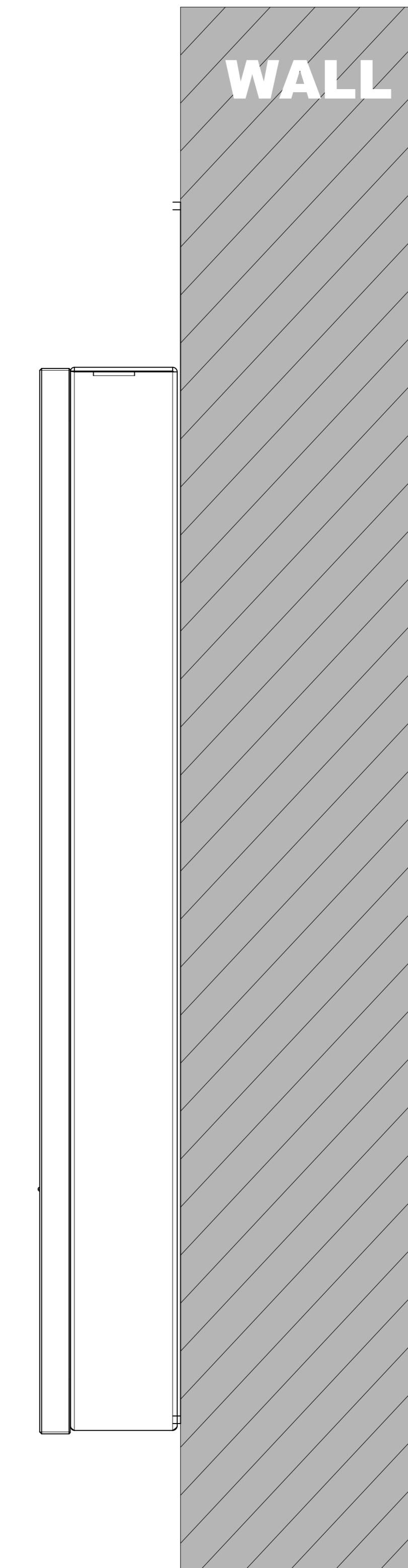


② FRONT VIEW:WALL MOUNTING BRACKET PLACEMENT

1120mm TO BOTTOM OF BRACKET

1260mm TO SCREW HOLE CENTER OF BRACKET

**GROUND**



③ SIDE VIEW:INTERCOM ON WALL

**Applicable Model**

R27

**Drawing Title**

Flush Mounting Bracket

**Drawing Unit**

mm

**Drawing Scale**

Not to scale

**DRAFT  
SUBJECT TO  
CHANGE**

**Last Revised**

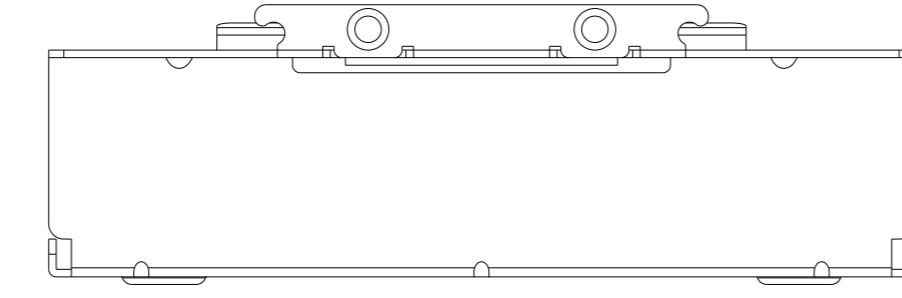
Apr 25,2020

**Drawing Version**

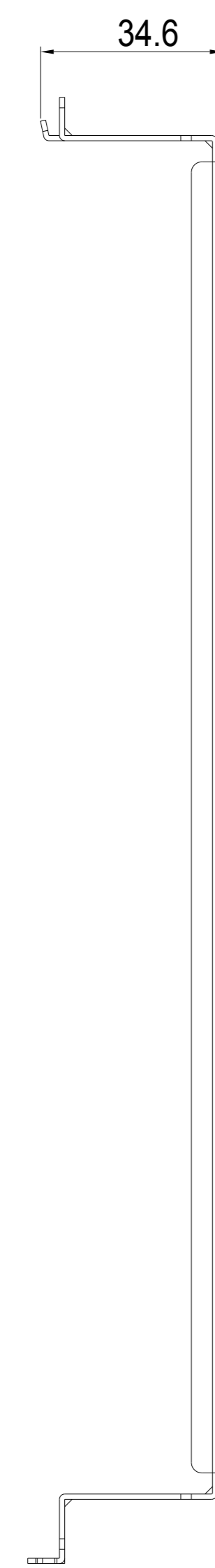
V1.0

**Page**

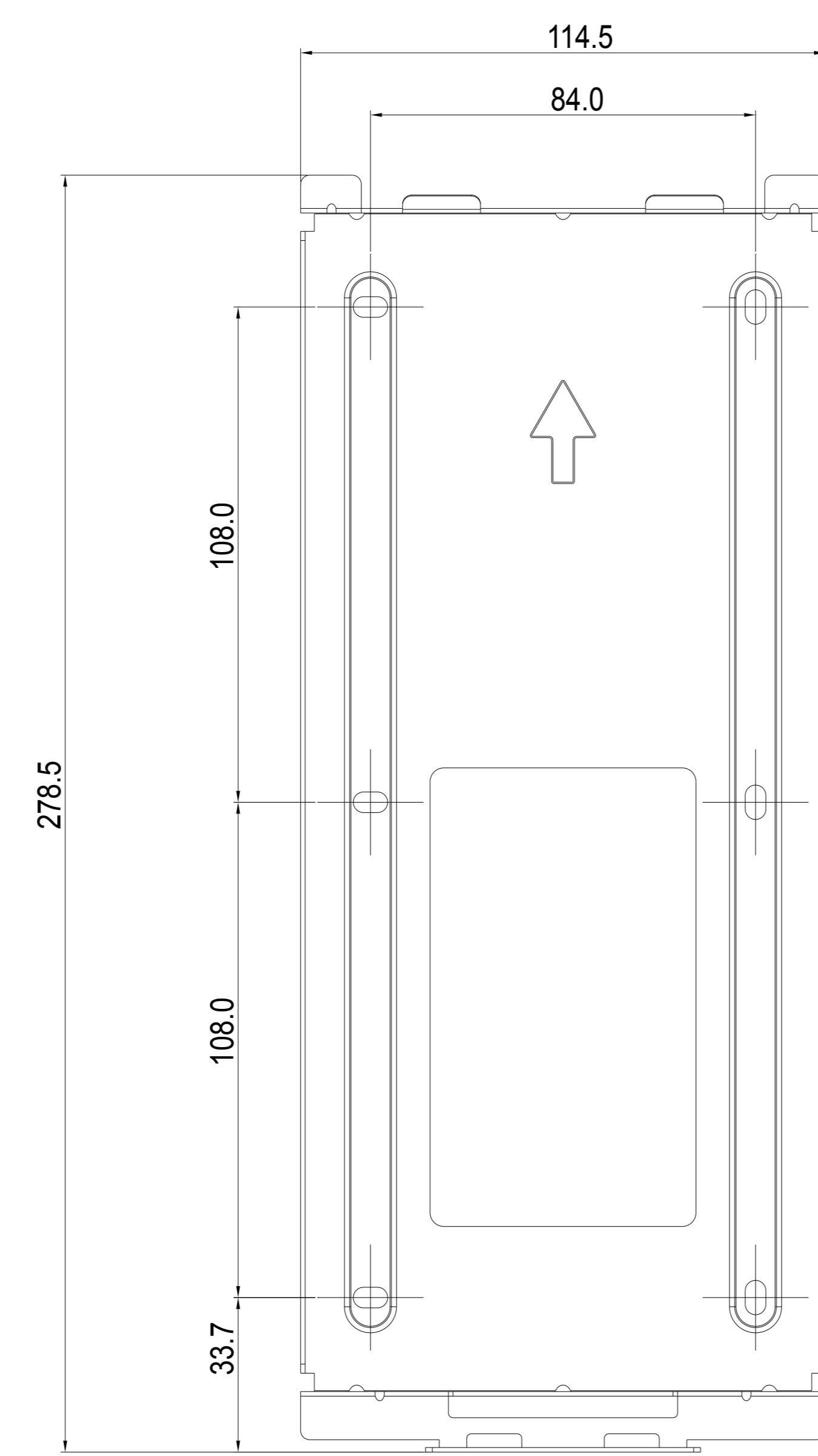
4 of 6



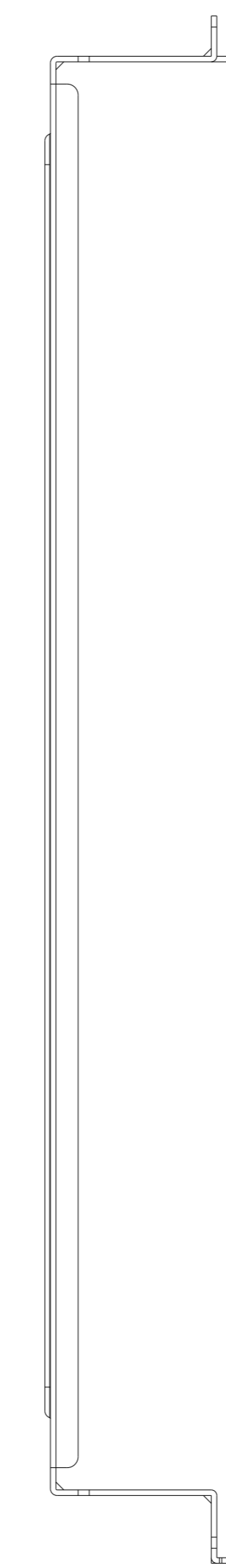
5 **TOP VIEW**



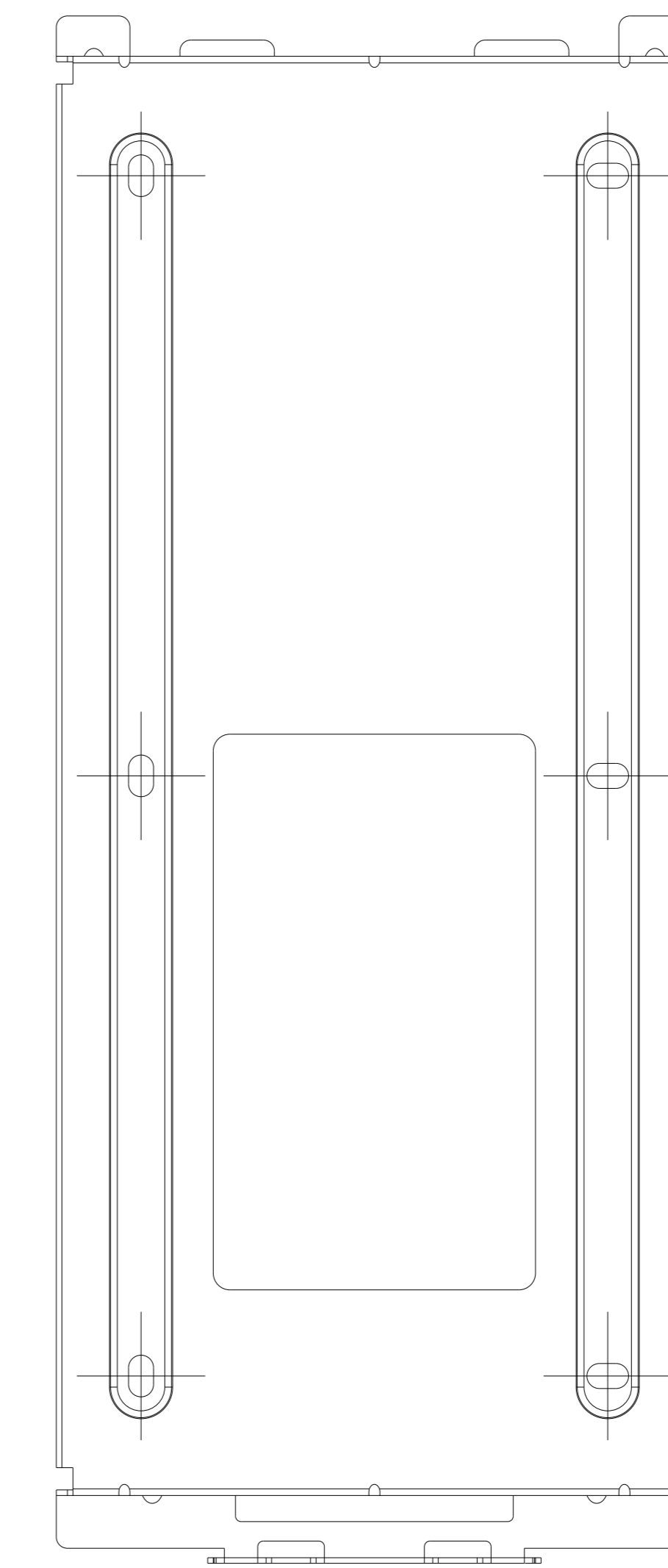
2 **RIGHT VIEW**



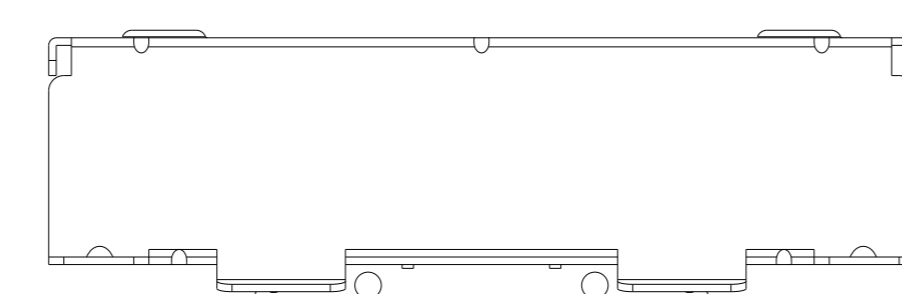
1 **FRONT VIEW**



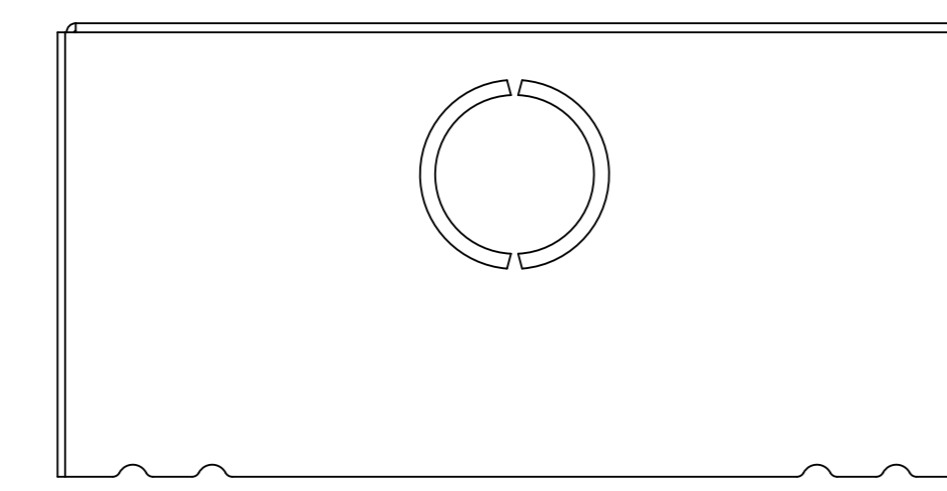
3 **LEFT VIEW**



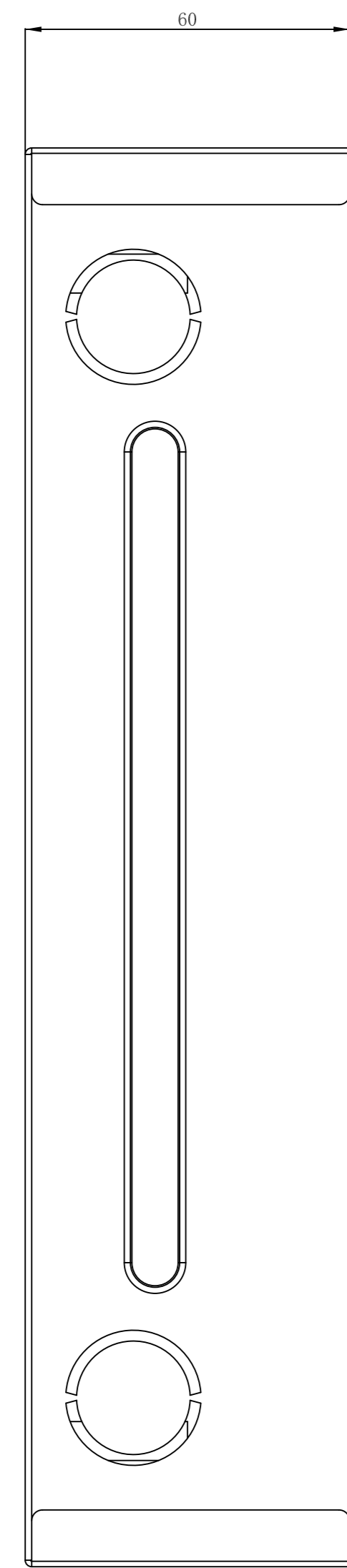
4 **BACK VIEW**



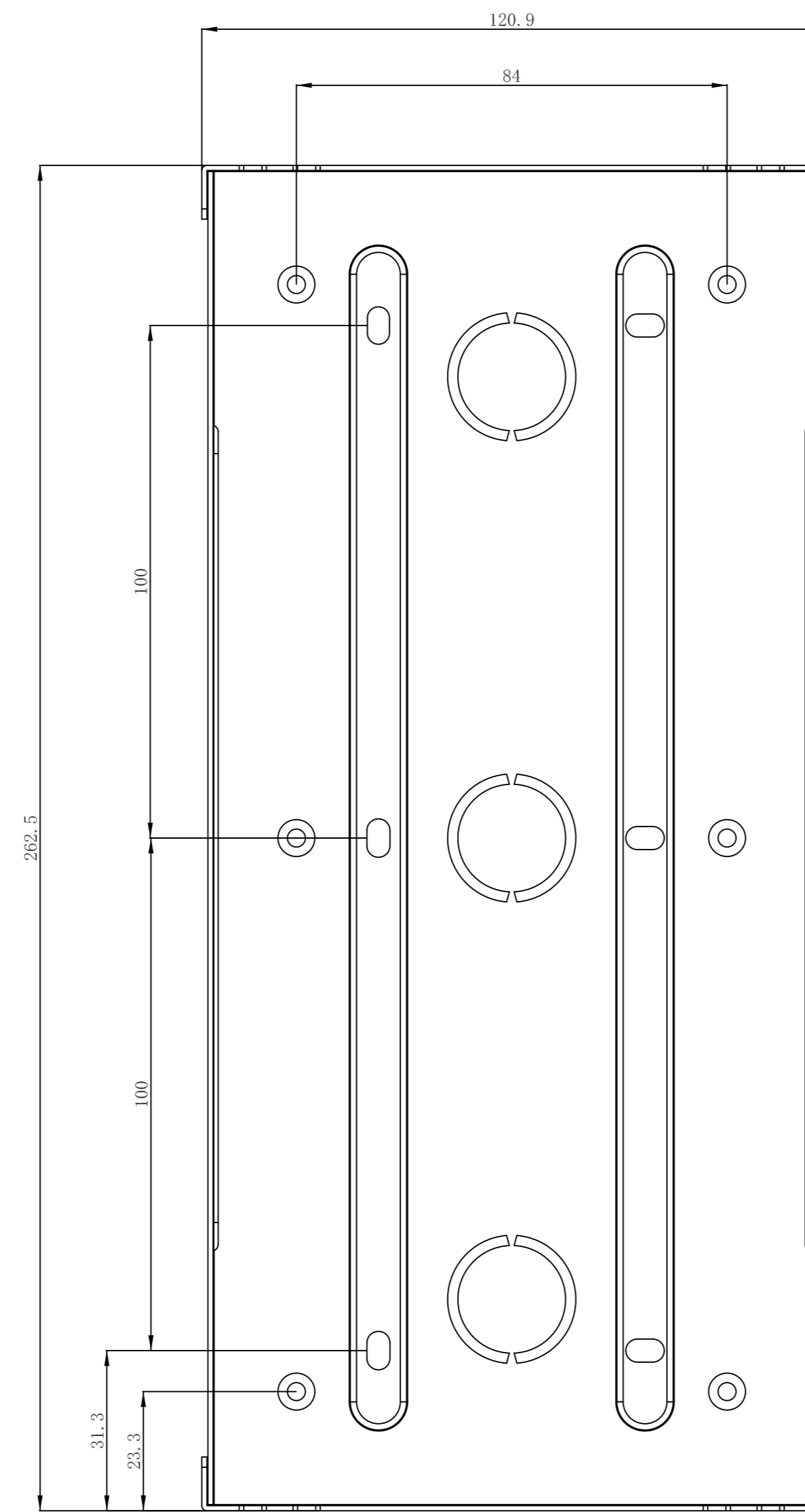
6 **BOTTOM VIEW**



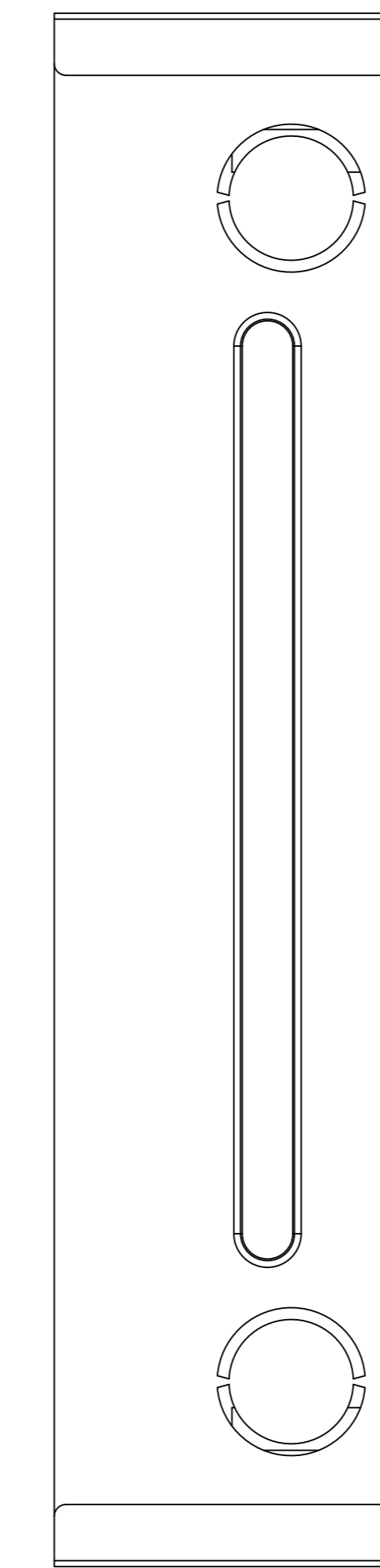
5 **TOP VIEW**



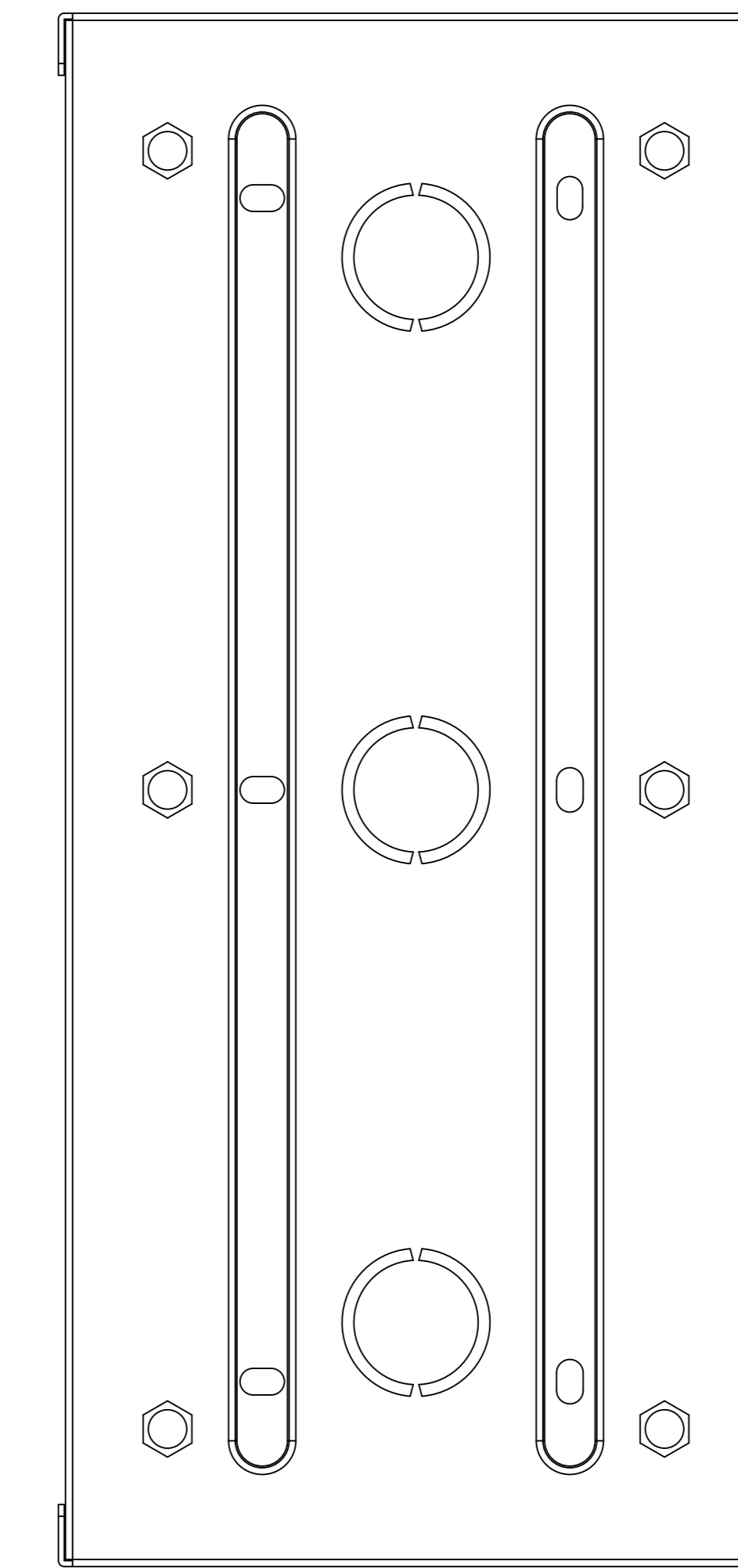
2 **RIGHT VIEW**



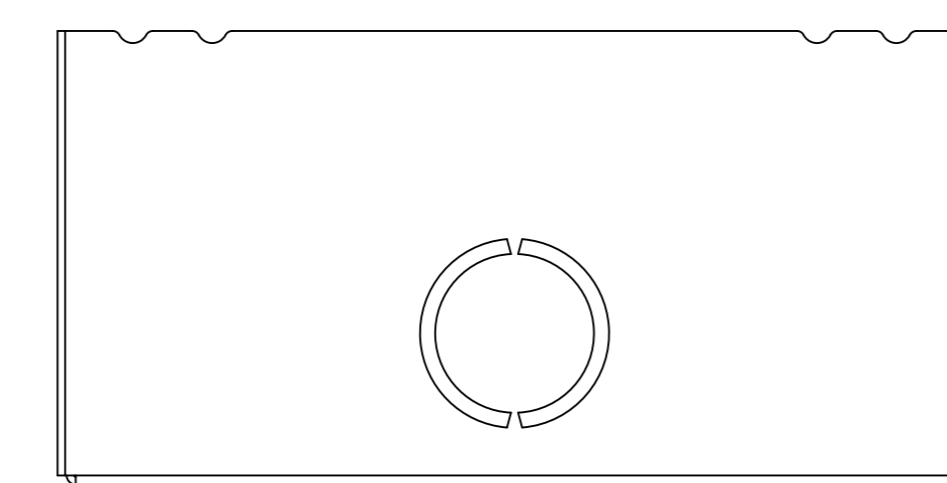
1 **FRONT VIEW**



3 **LEFT VIEW**



4 **BACK VIEW**



6 **BOTTOM VIEW**

**Applicable Model**  
R27

**Drawing Title**  
Placement

**Drawing Unit**  
mm

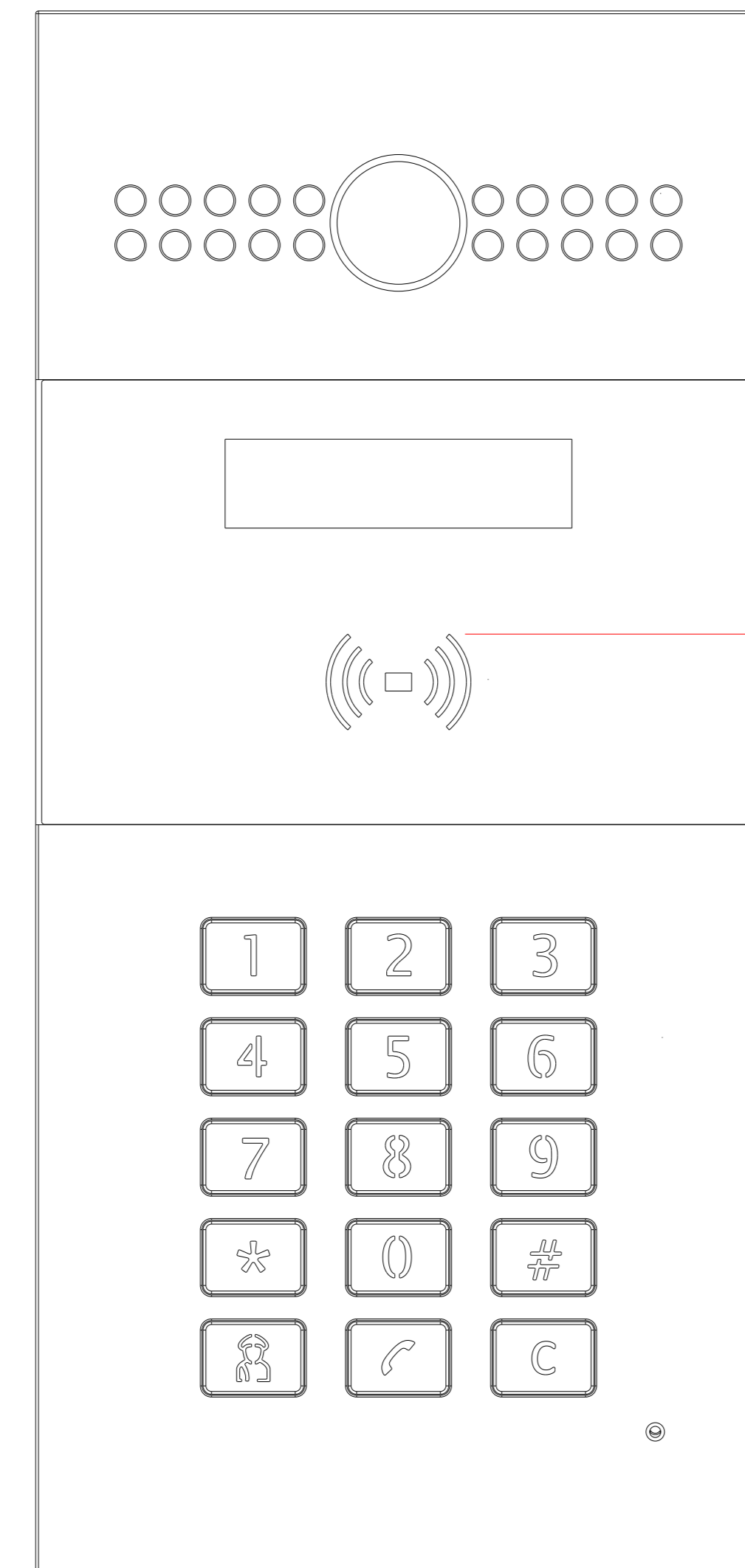
**Drawing Scale**  
Not to scale

**DRAFT  
SUBJECT TO  
CHANGE**

**Last Revised**  
Apr 25,2020

**Drawing Version**  
V1.0

**Page**  
6 of 6



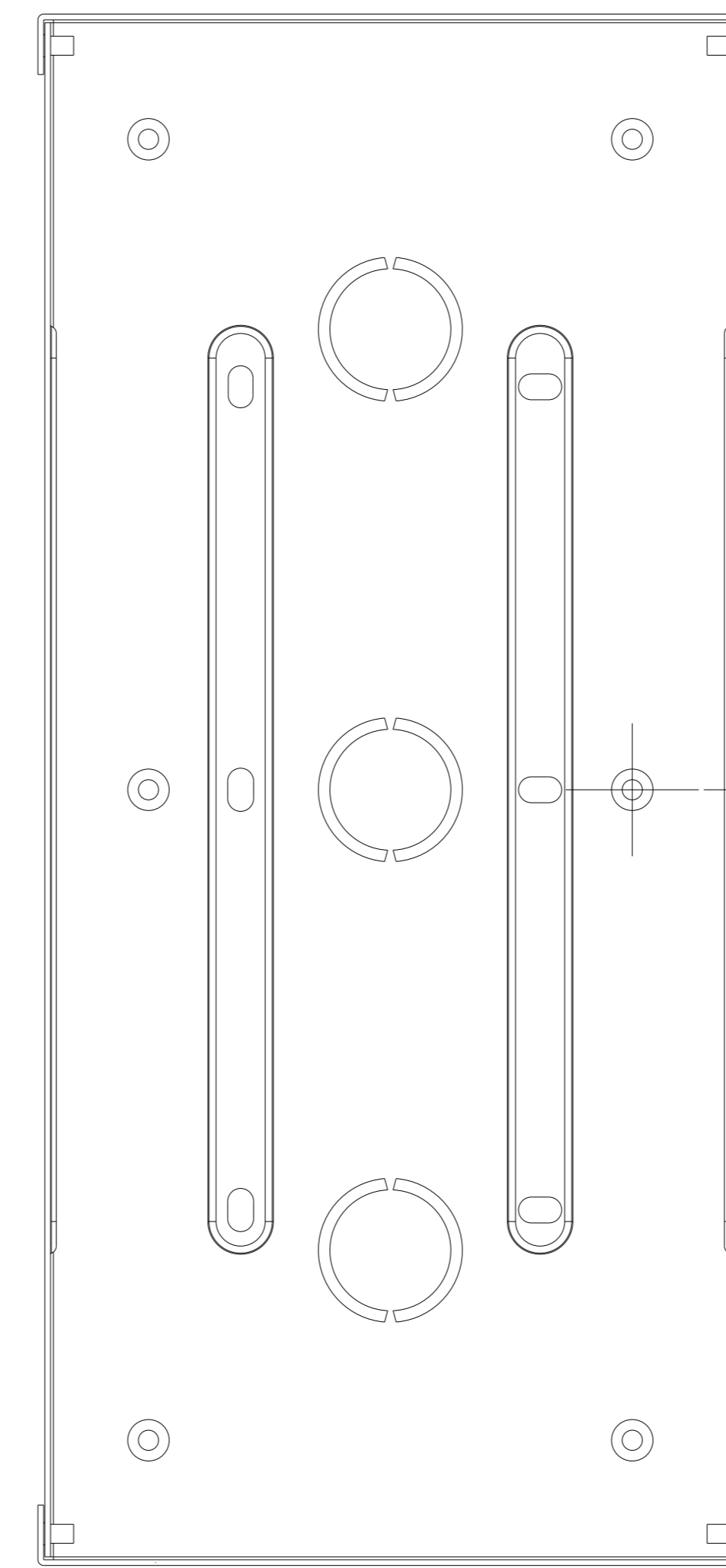
① INTERCOM PANEL FRONT VIEW

1100mm TO BOTTOM OF PANEL

1268mm MAX TO TOP OF USABLE TPARTS

ADA Compliance Requirement

GROUND

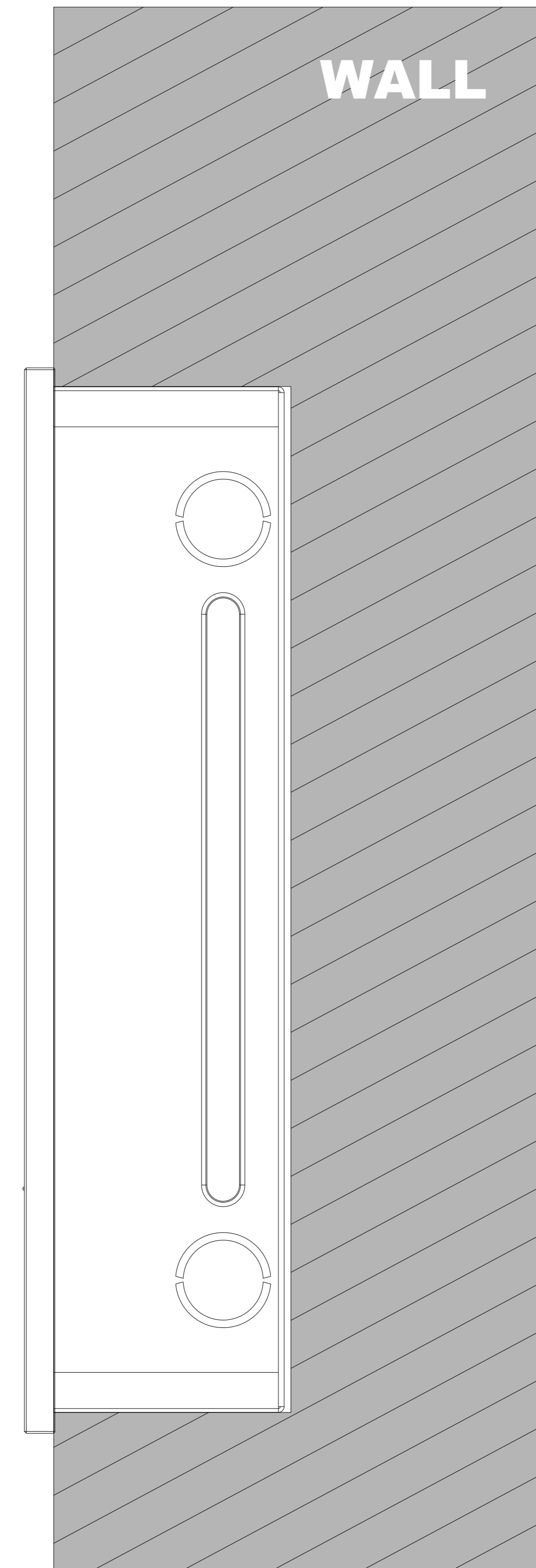


② FRONT VIEW: FLUSHING MOUNTING BOX PLACEMENT

1105mm TO BOTTOM OF BOX

1240mm TO SCREW HOLE CENTER OF BOX

GROUND



③ SIDE VIEW:INTERCOM IN WALL