

Applicable Model

R20A-2

Drawing Title

Intercom Panel

Drawing Unit

mm

Drawing Scale

Not to scale

**DRAFT
SUBJECT TO
CHANGE**

Last Revised

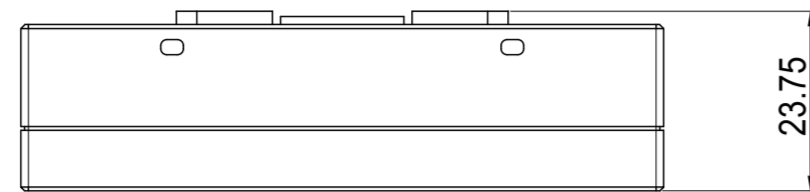
Nov 16,2021

Drawing Version

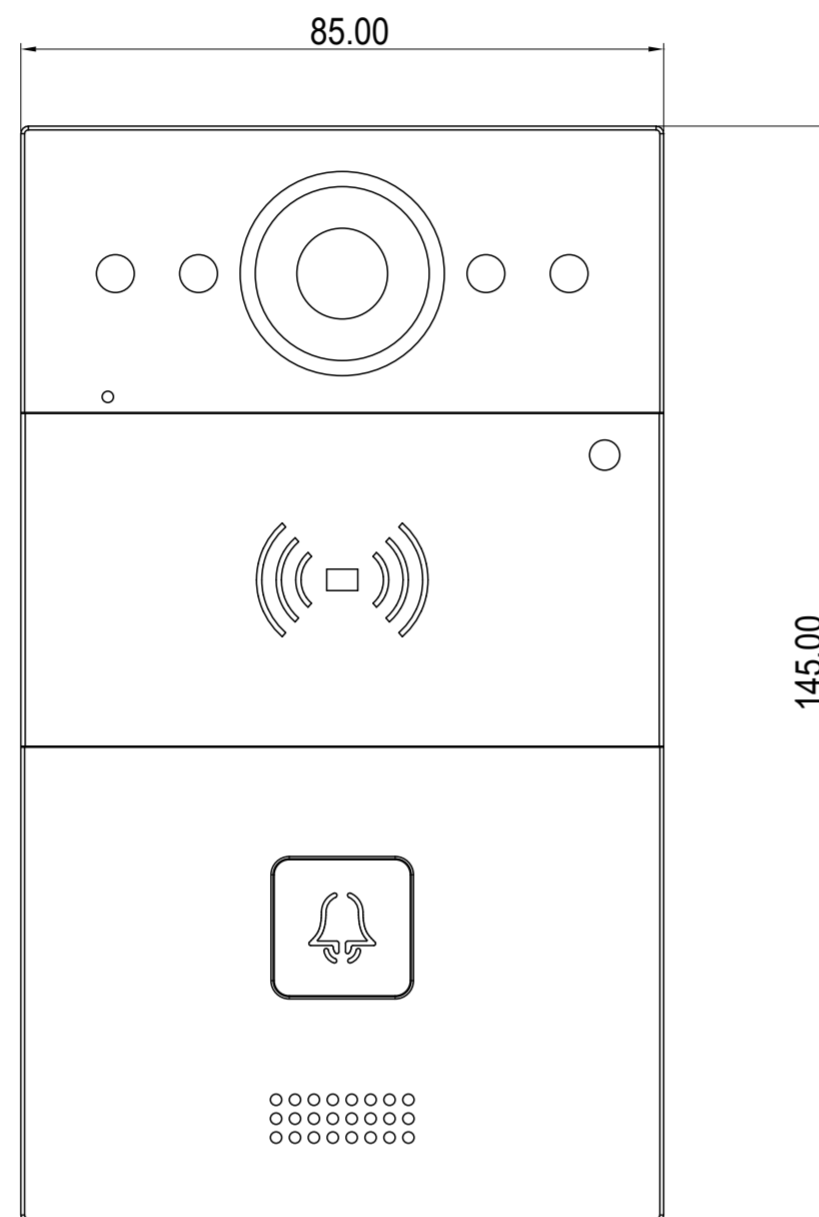
V1.0

Page

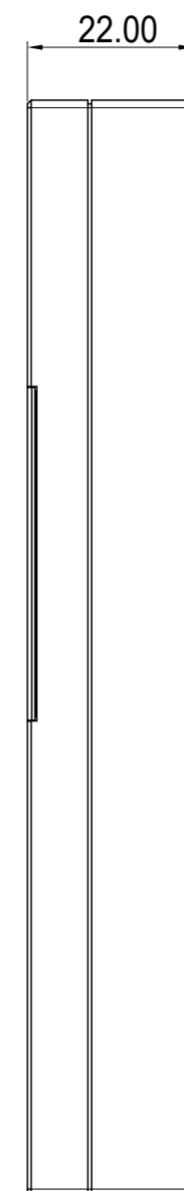
1 of 6



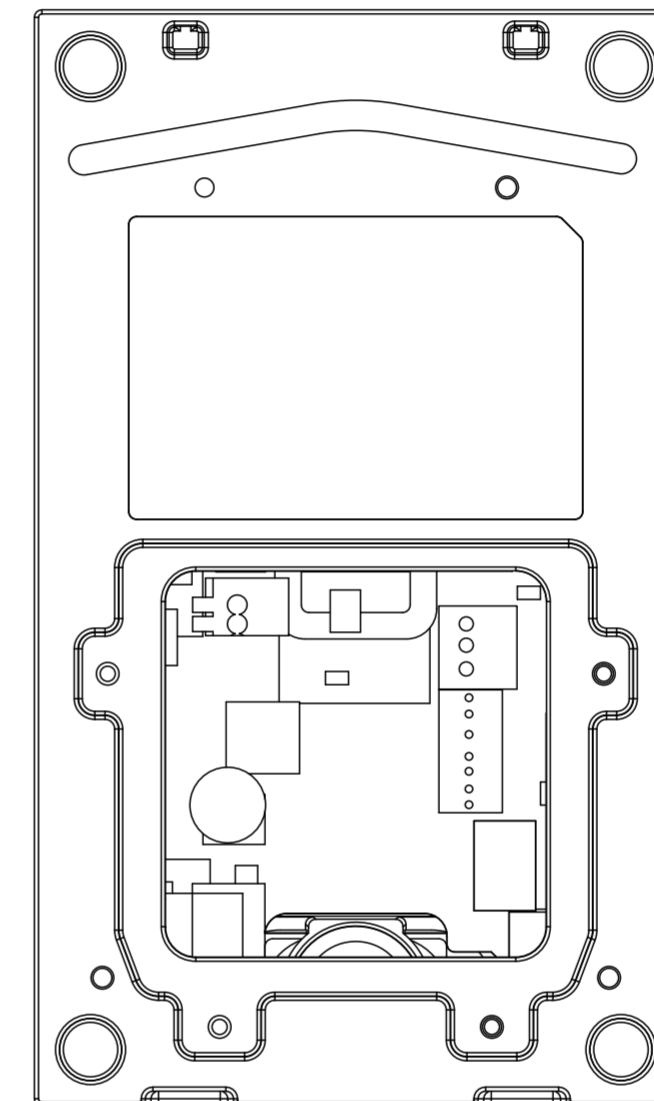
5 **TOP VIEW**



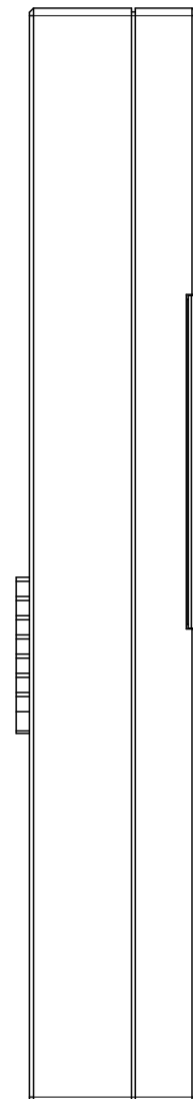
1 **FRONT VIEW**



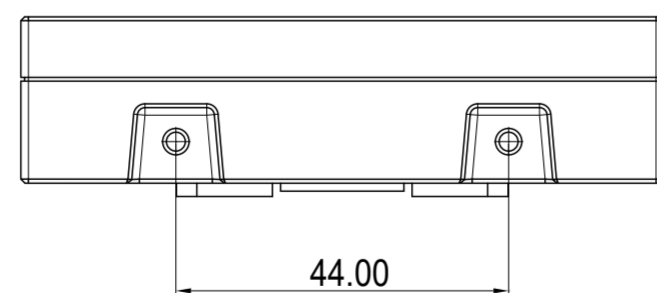
3 **LEFT VIEW**



4 **BACK VIEW**



2 **RIGHT VIEW**



6 **BOTTOM VIEW**

Applicable Model

R20A-2

Drawing Title

Wall Mounting Bracket

Drawing Unit

mm

Drawing Scale

Not to scale

**DRAFT
SUBJECT TO
CHANGE**

Last Revised

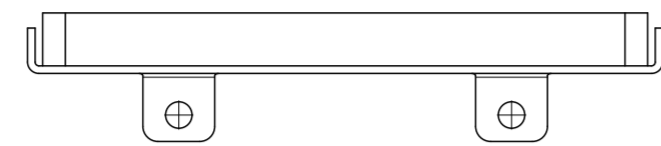
Nov 16,2021

Drawing Version

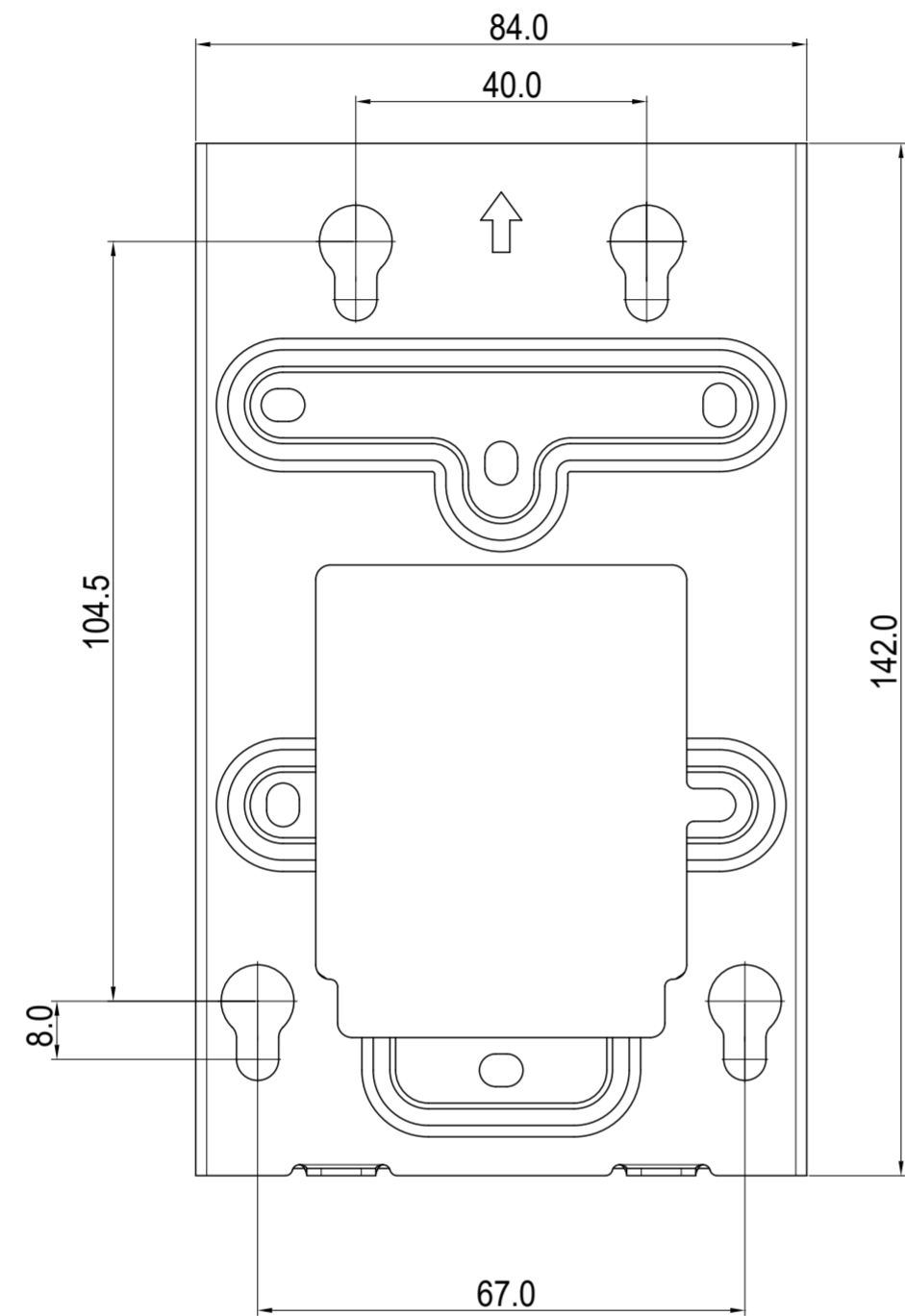
V1.0

Page

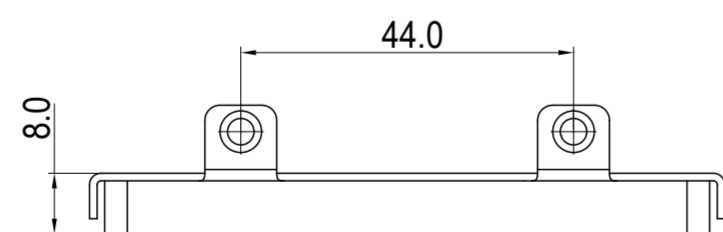
2 of 6



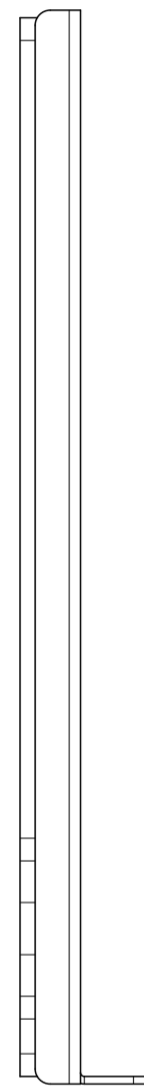
5 TOP VIEW



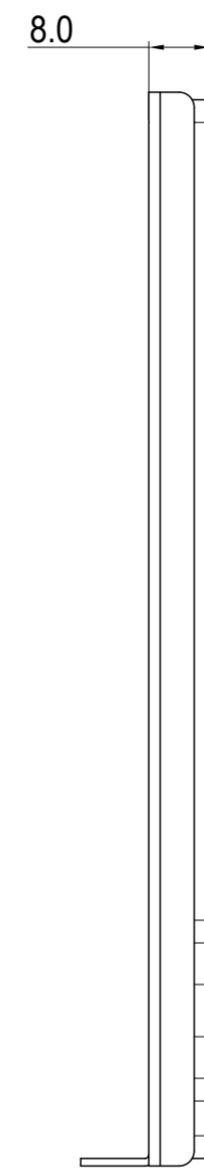
1 FRONT VIEW



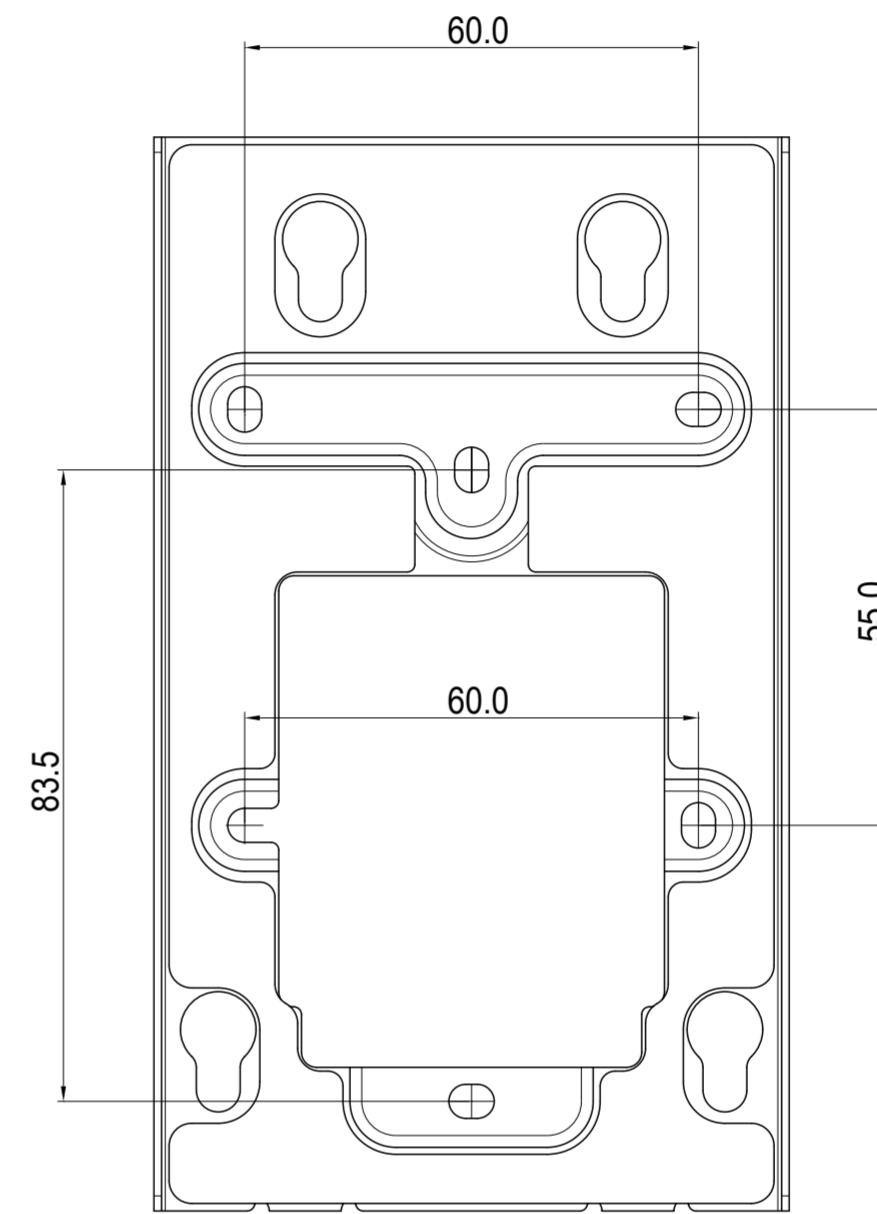
6 BOTTOM VIEW



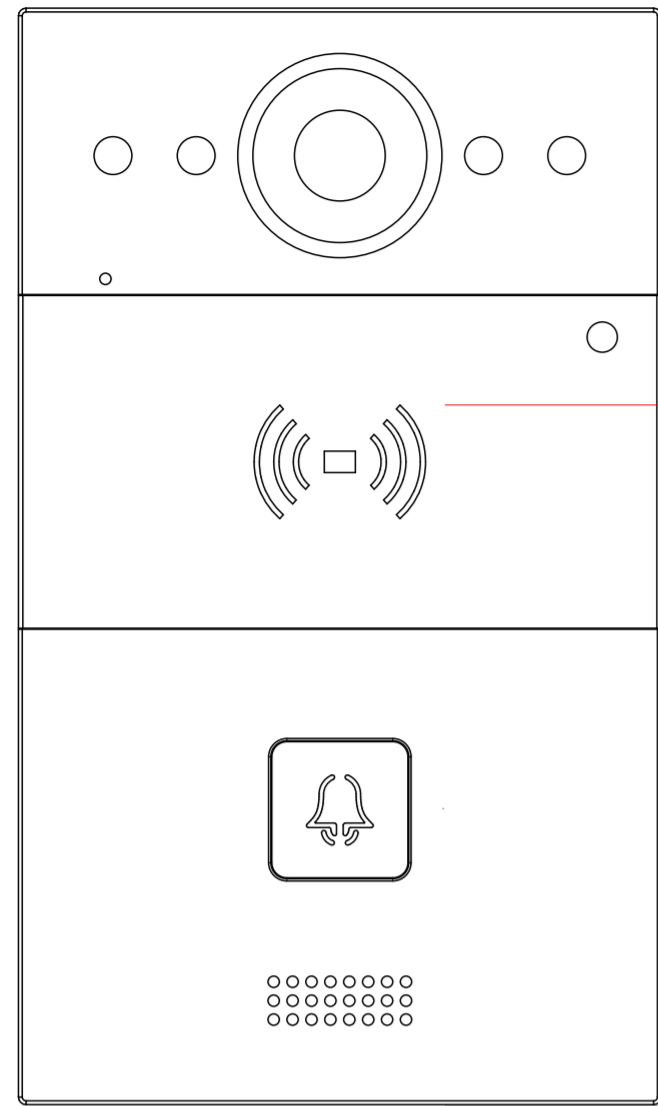
2 RIGHT VIEW



3 LEFT VIEW



4 BACK VIEW

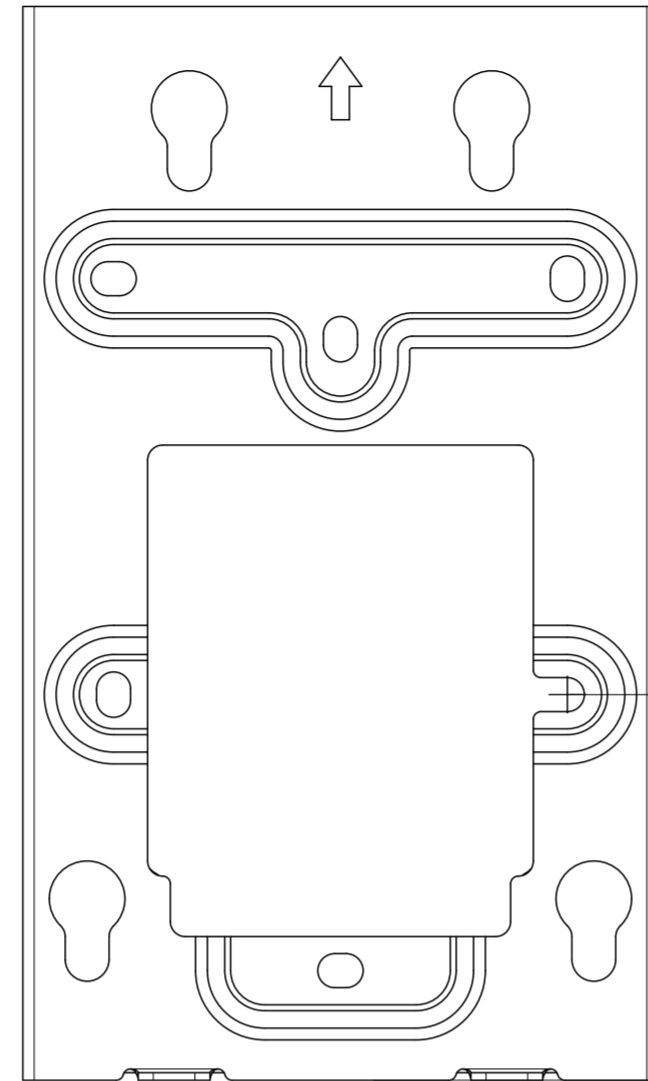


1 INTERCOM PANEL FRONT VIEW

1160.6mm TO BOTTOM OF PANEL

1254.4mm MAX TO TOP OF USABLE PARTS

GROUND

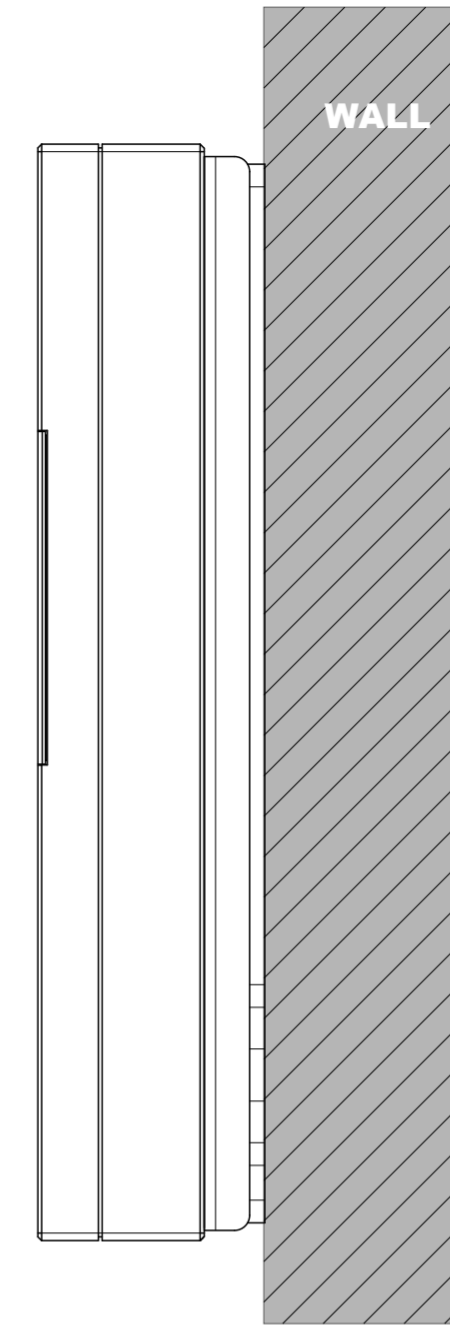


2 FRONT VIEW:WALL MOUNTING BRACKET PLACEMENT

1162.35mm TO BOTTOM OF BRACKET

1213.35mm TO SCREW HOLE CENTER OF BRACKET

GROUND



3 SIDE VIEW:INTERCOM PANEL ON WALL

Applicable Model

R20A-2

Drawing Title

Placement

Drawing Unit

mm

Drawing Scale

Not to scale

**DRAFT
SUBJECT TO
CHANGE**

Last Revised

Nov 16,2021

Drawing Version

V1.0

Page

3 of 6

Applicable Model

R20A-2

Drawing Title

Decorative Panel

Drawing Unit

mm

Drawing Scale

Not to scale

**DRAFT
SUBJECT TO
CHANGE**

Last Revised

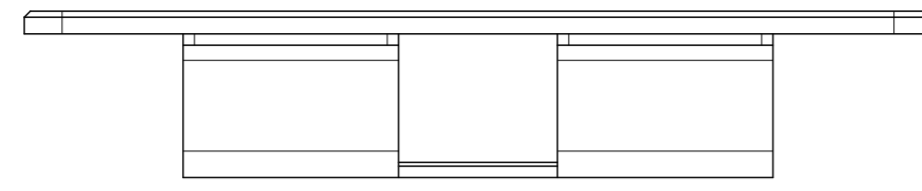
Nov 16,2021

Drawing Version

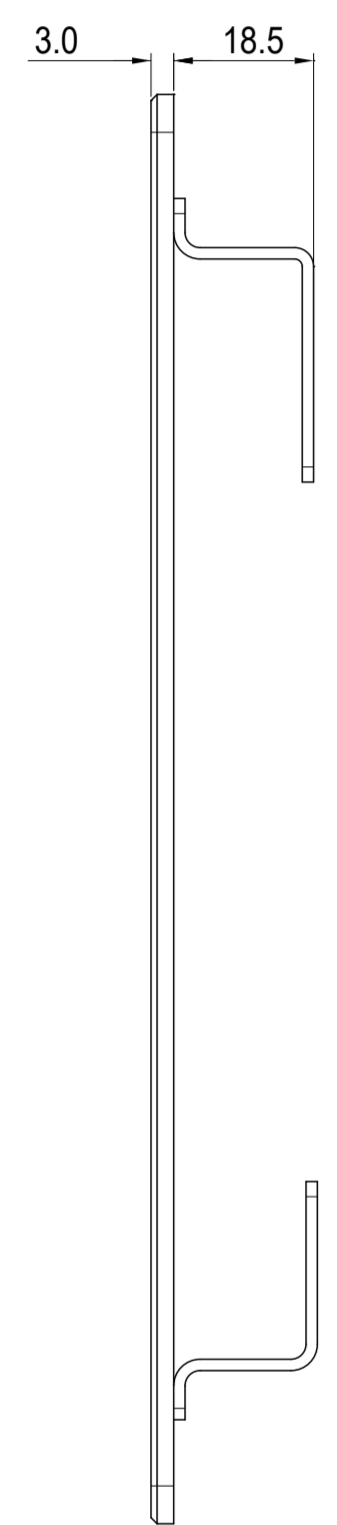
V1.0

Page

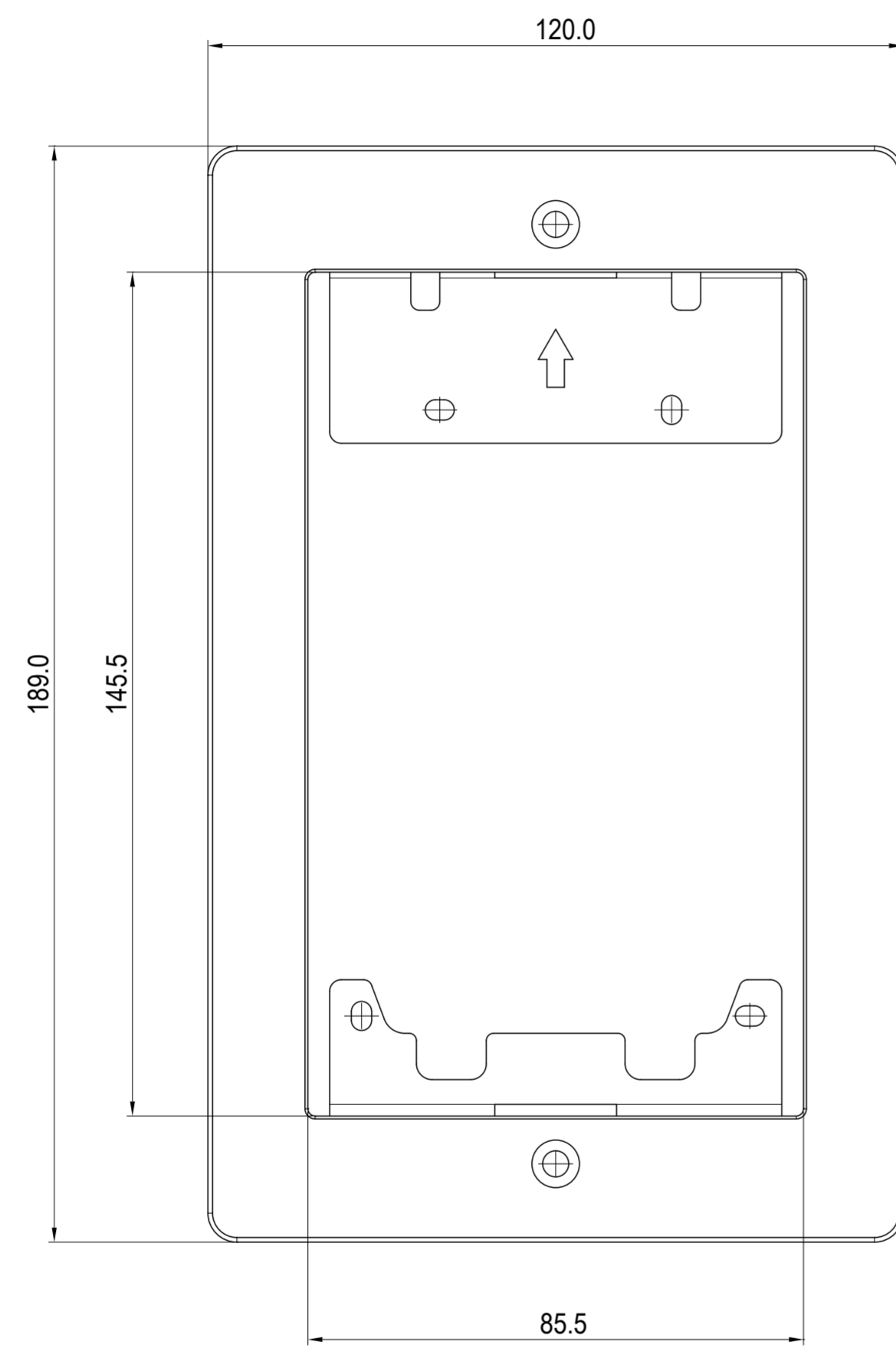
4 of 6



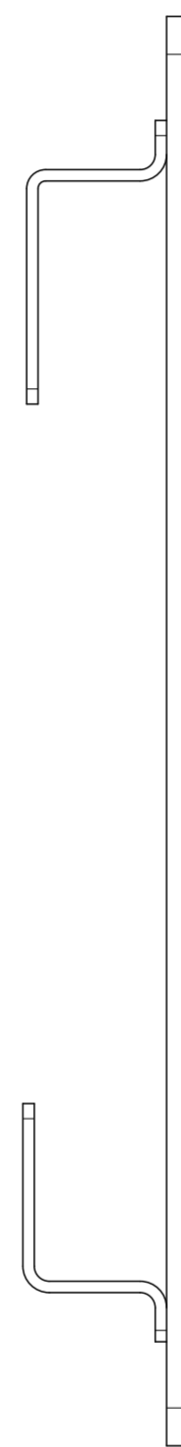
5 TOP VIEW



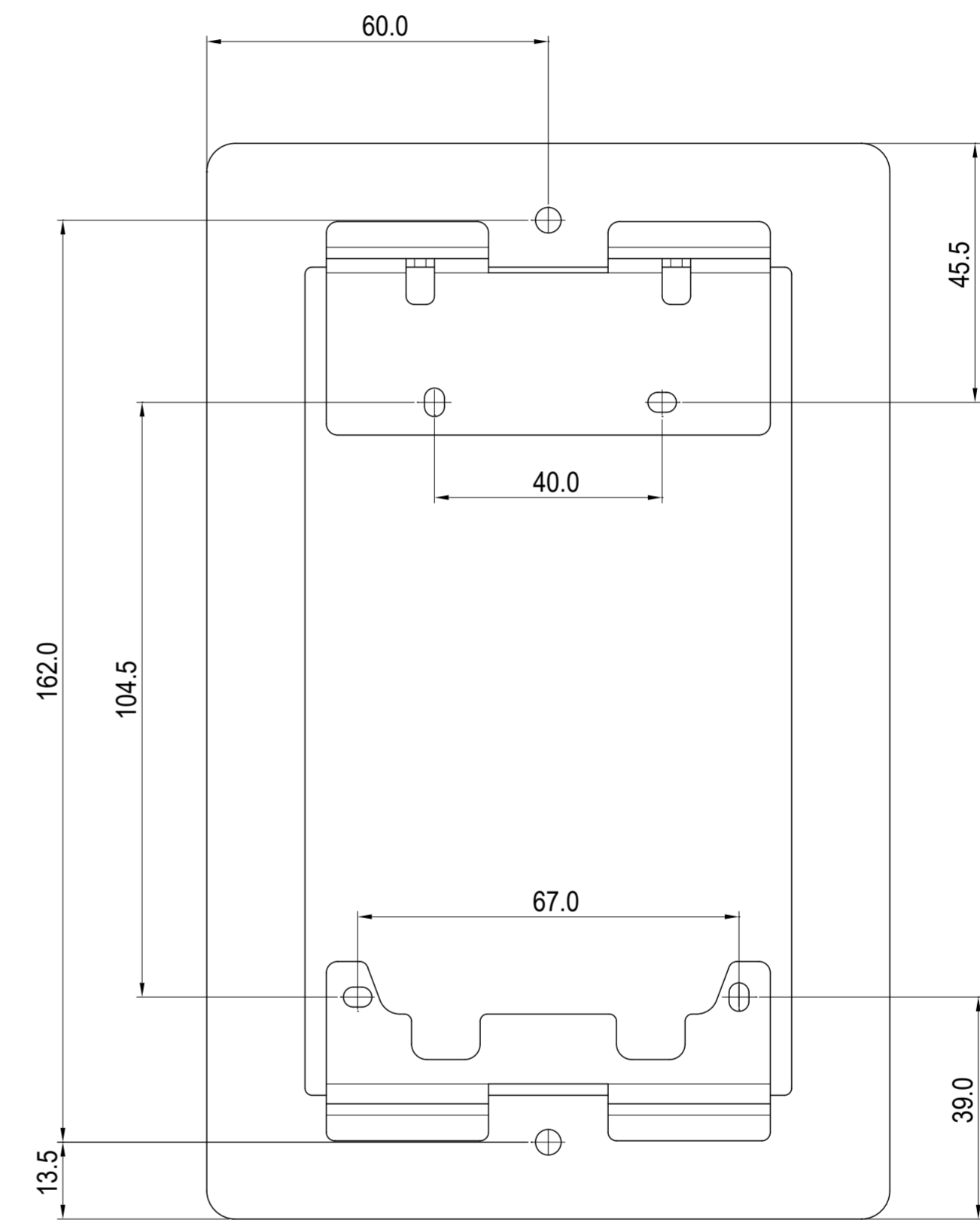
2 RIGHT VIEW



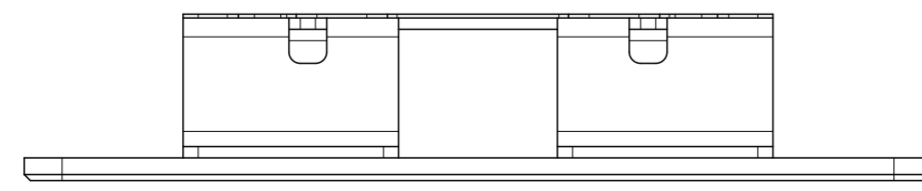
1 FRONT VIEW



3 LEFT VIEW



4 BACK VIEW



6 BOTTOM VIEW

Applicable Model

R20A-2

Drawing Title

Flush Mounting Box

Drawing Unit

mm

Drawing Scale

Not to scale

**DRAFT
SUBJECT TO
CHANGE**

Last Revised

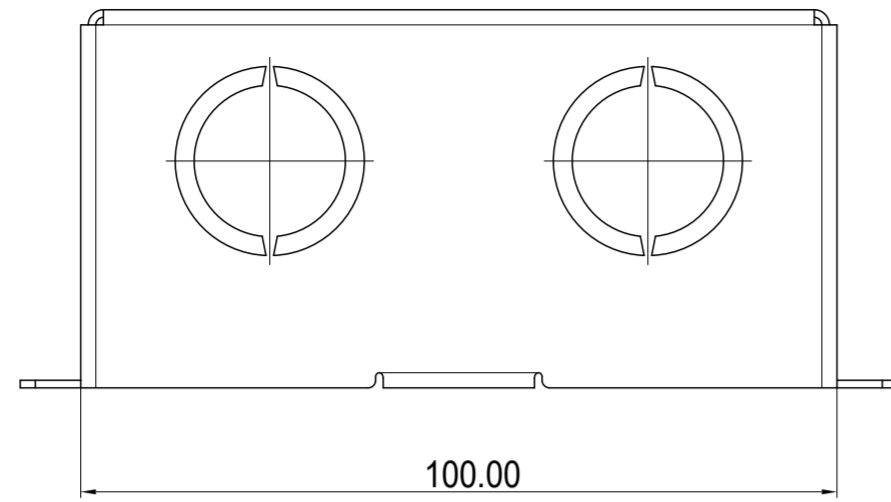
Nov 16,2021

Drawing Version

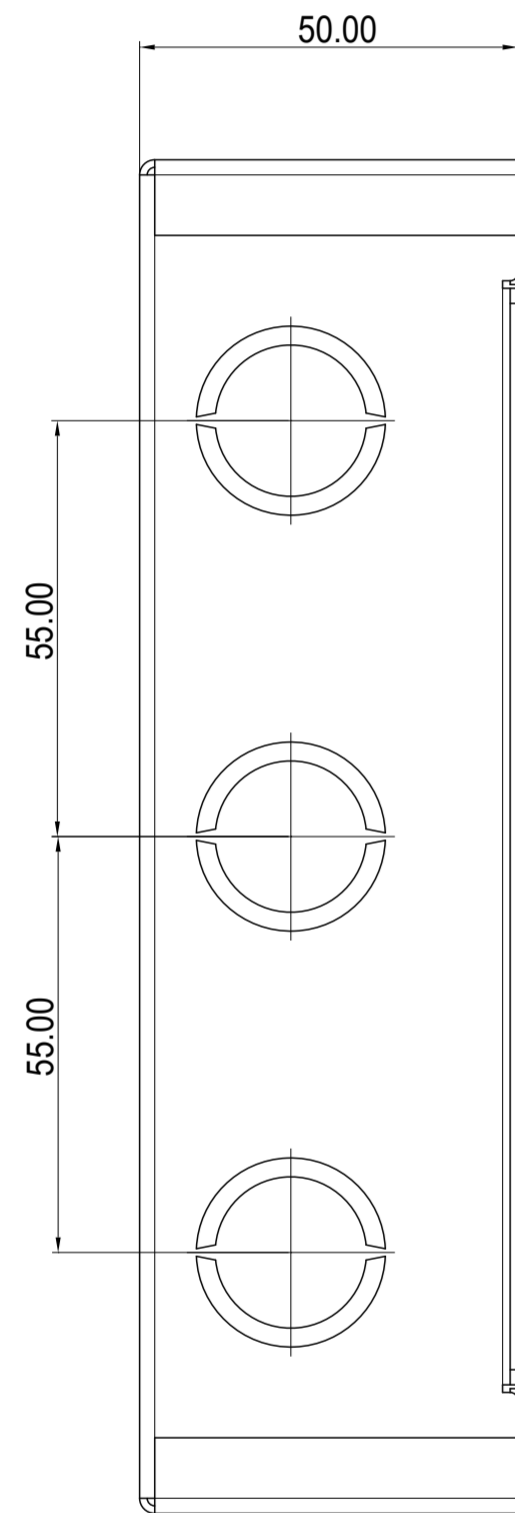
V1.0

Page

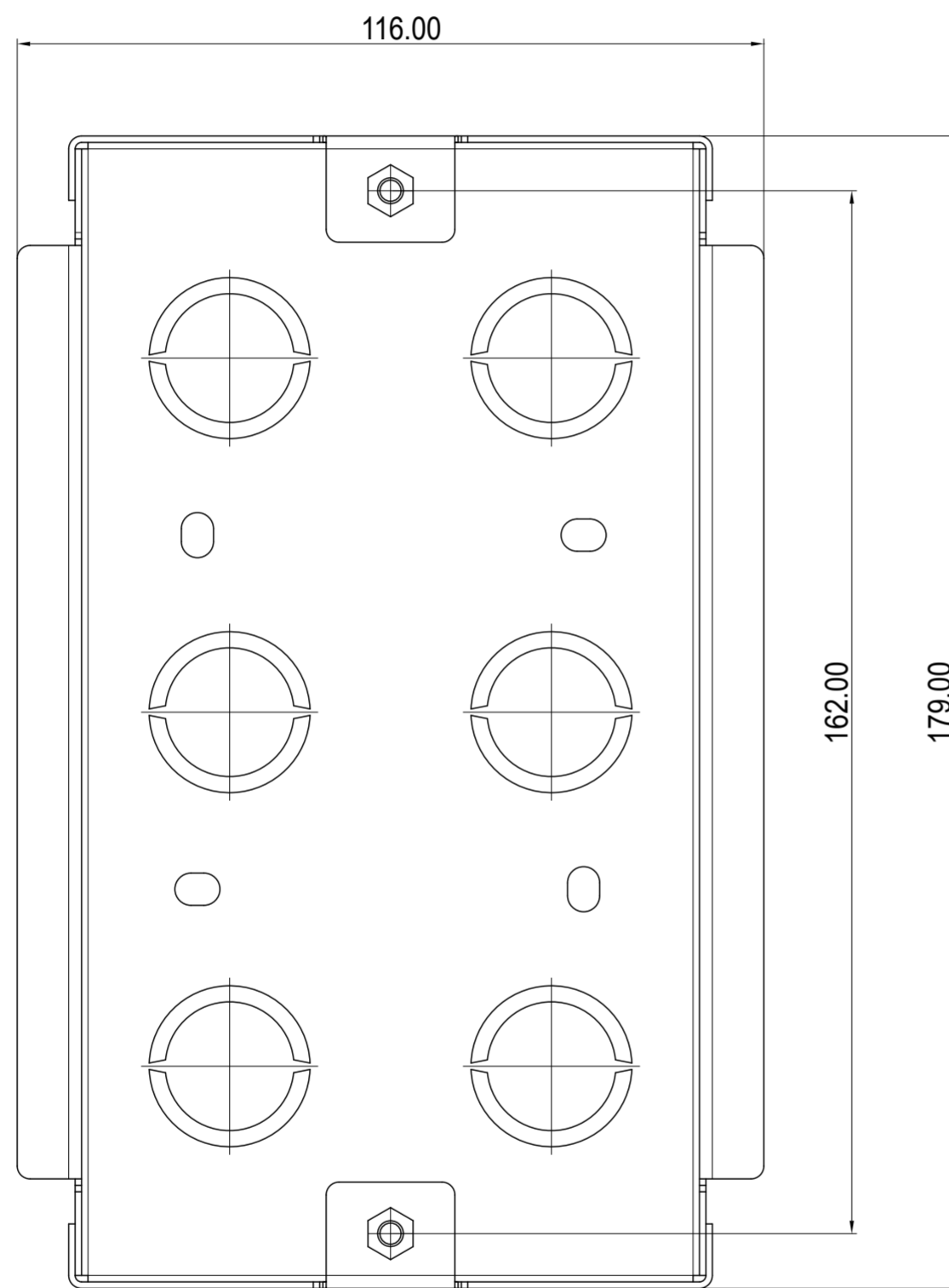
5 of 6



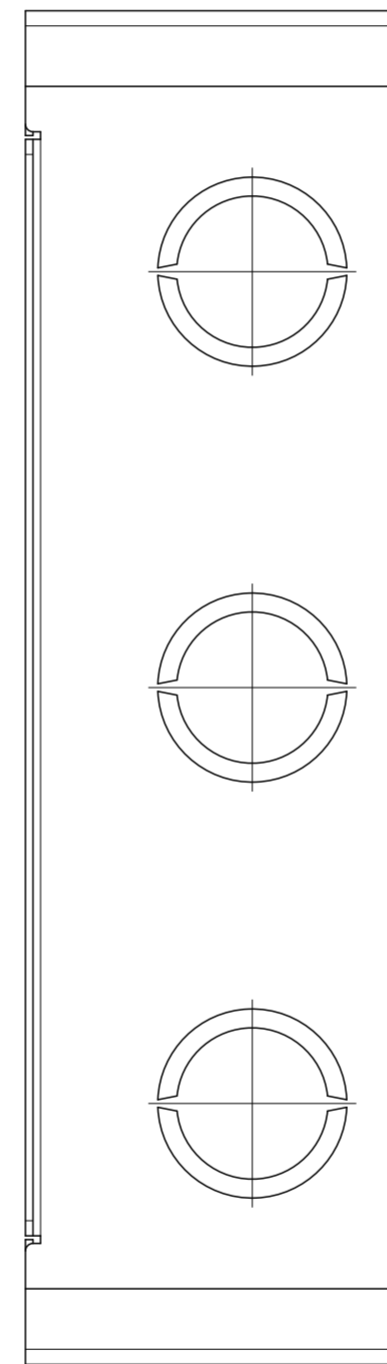
5 **TOP VIEW**



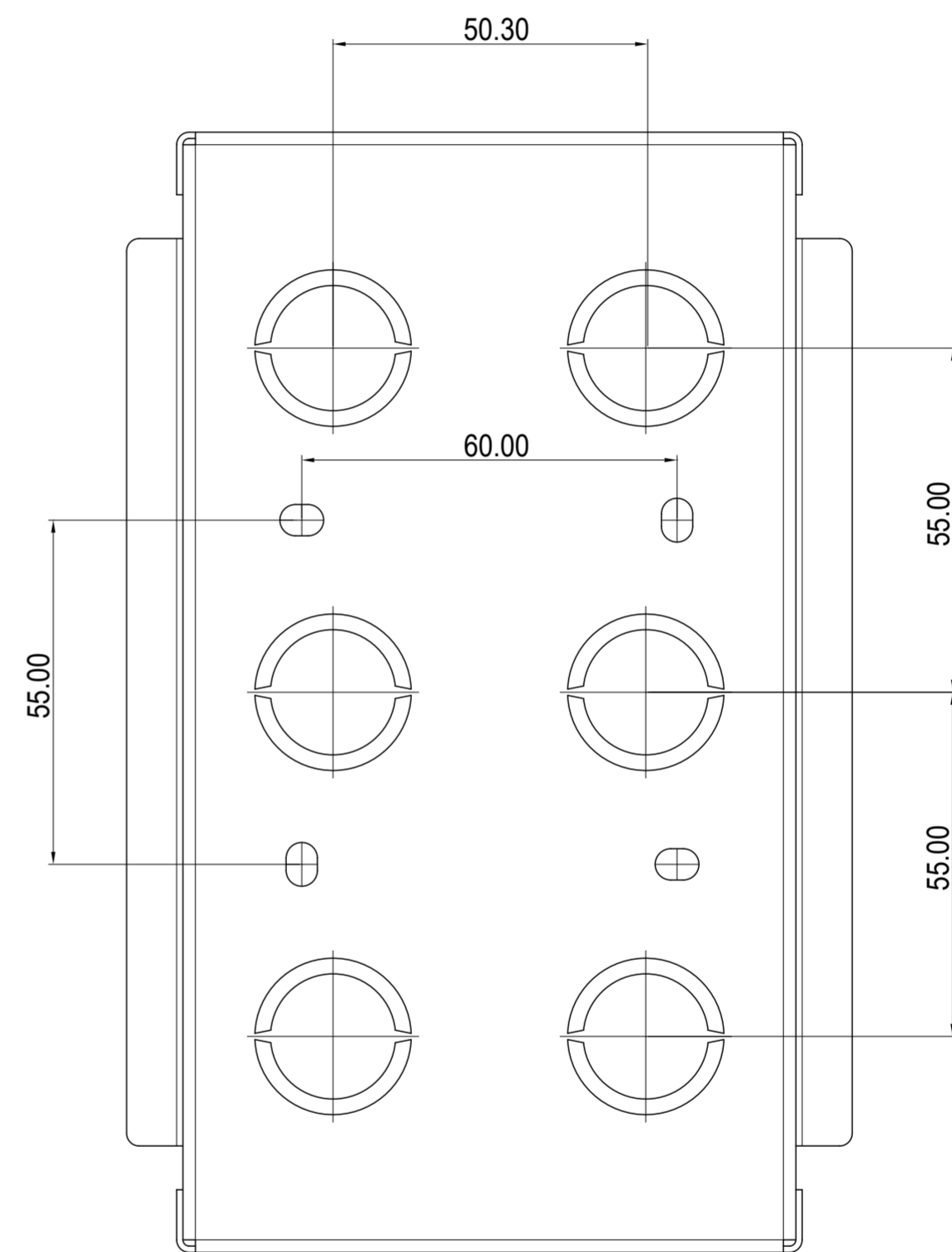
2 **RIGHT VIEW**



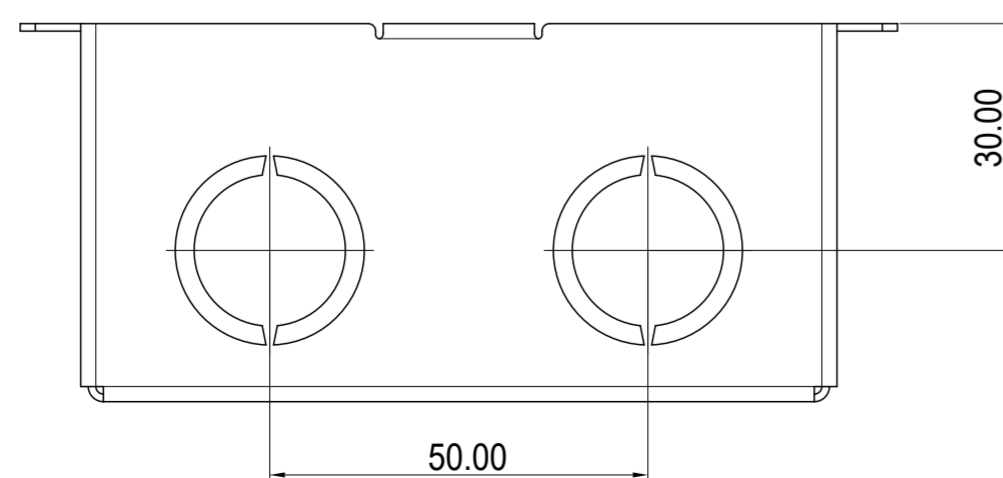
1 **FRONT VIEW**



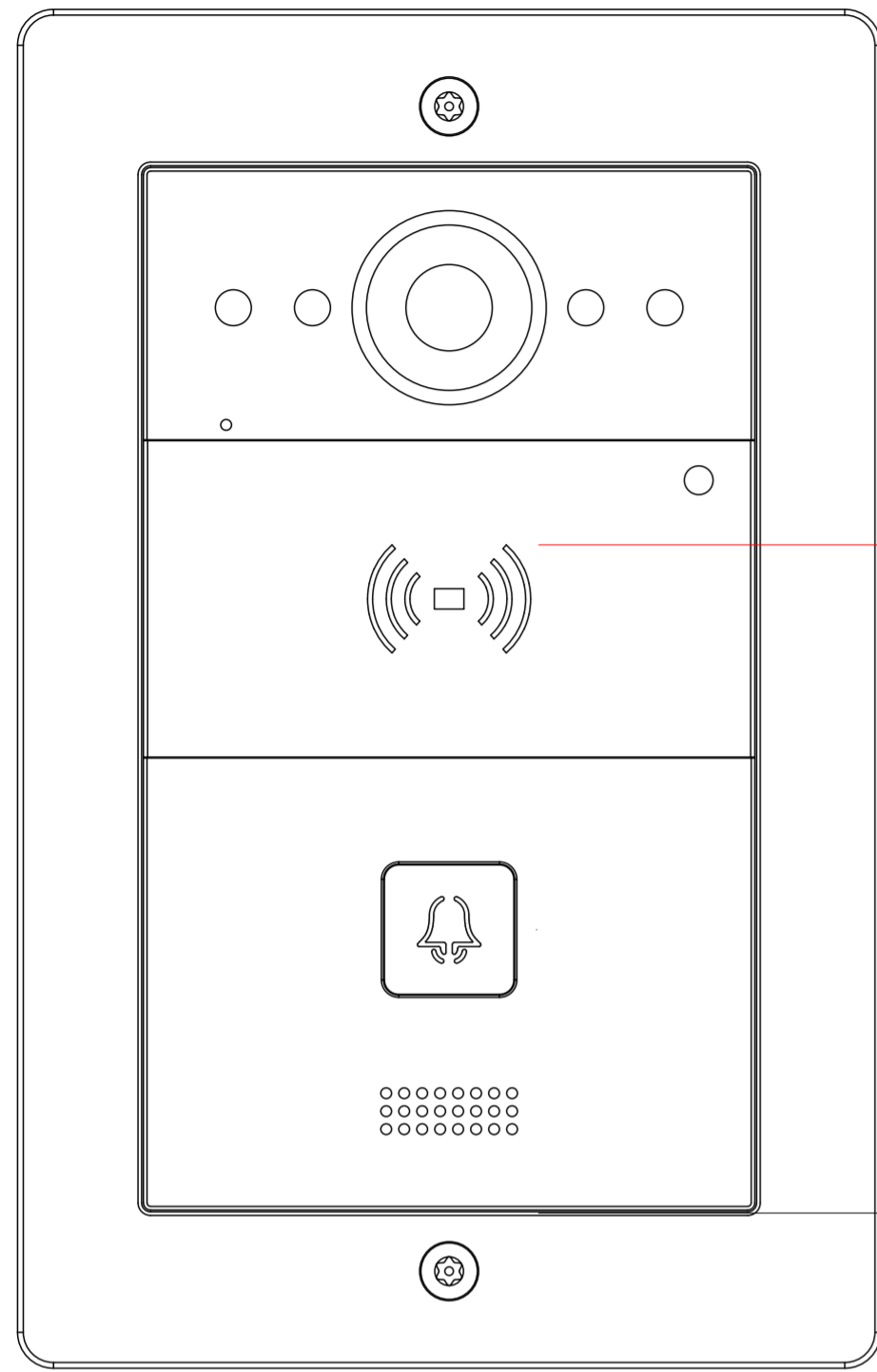
3 **LEFT VIEW**



4 **BACK VIEW**



6 **BOTTOM VIEW**

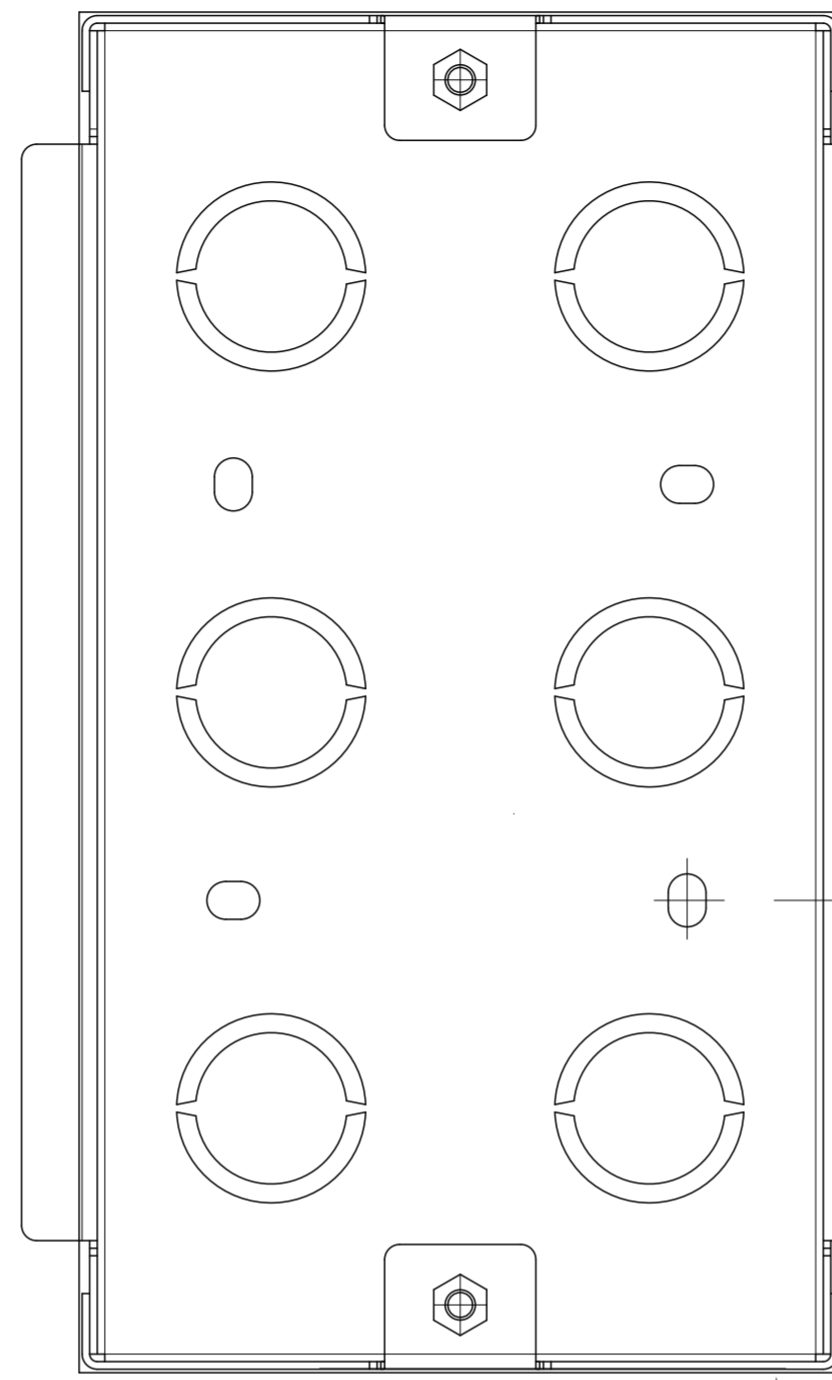


1 INTERCOM PANEL FRONT VIEW

1160.6mm TO BOTTOM OF PANEL

1254.4mm MAX TO TOP OF USABLE PARTS

GROUND

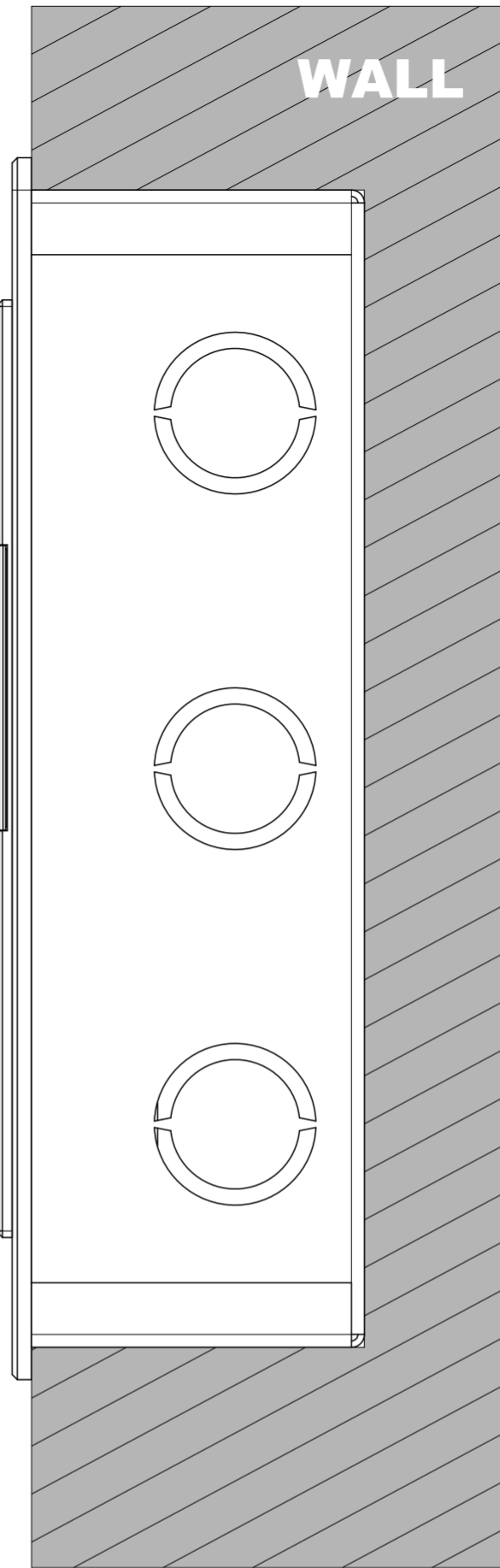


2 FRONT VIEW: FLUSHING MOUNTING BOX PLACEMENT

1162.35mm TO BOTTOM OF BRACKET

1213.35mm TO SCREW HOLE CENTER OF BRACKET

GROUND



3 SIDE VIEW: INTERCOM PANEL ON WALL

WALL

Applicable Model

R20A-2

Drawing Title

Placement

Drawing Unit

mm

Drawing Scale

Not to scale

**DRAFT
SUBJECT TO
CHANGE**

Last Revised

Nov 16,2021

Drawing Version

V1.0

Page

6 of 6