

Applicable Model

E12

Drawing Title

Intercom Panel

Drawing Unit

mm

Drawing Scale

Not to scale

**DRAFT
SUBJECT TO
CHANGE**

Last Revised

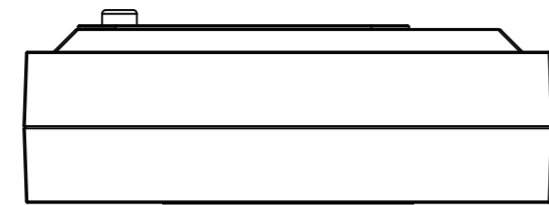
Sep,01,2023

Drawing Version

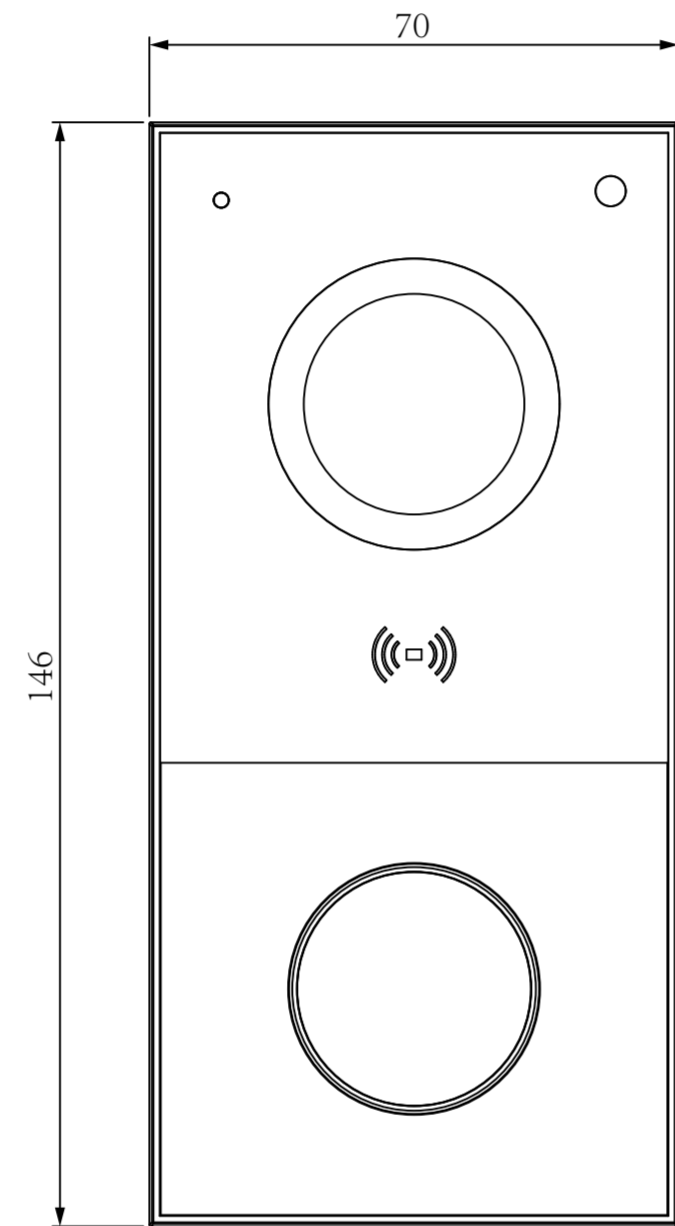
V1.0

Page

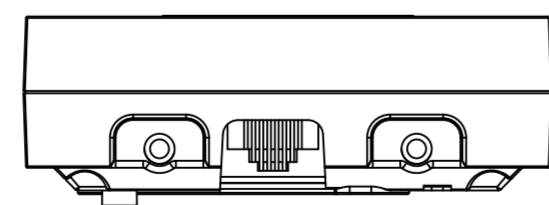
1 of 3



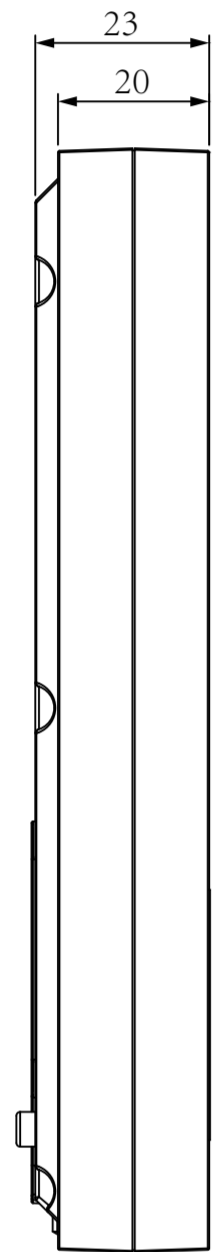
5 TOP VIEW



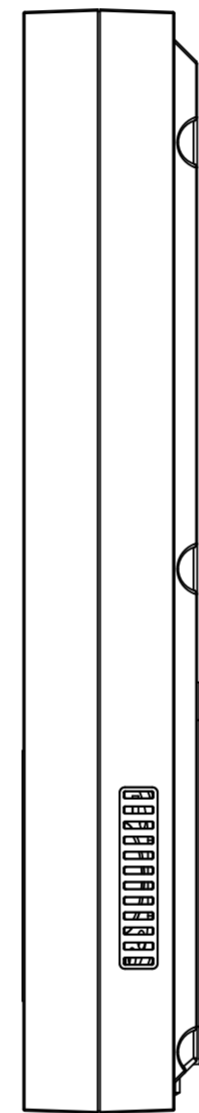
1 FRONT VIEW



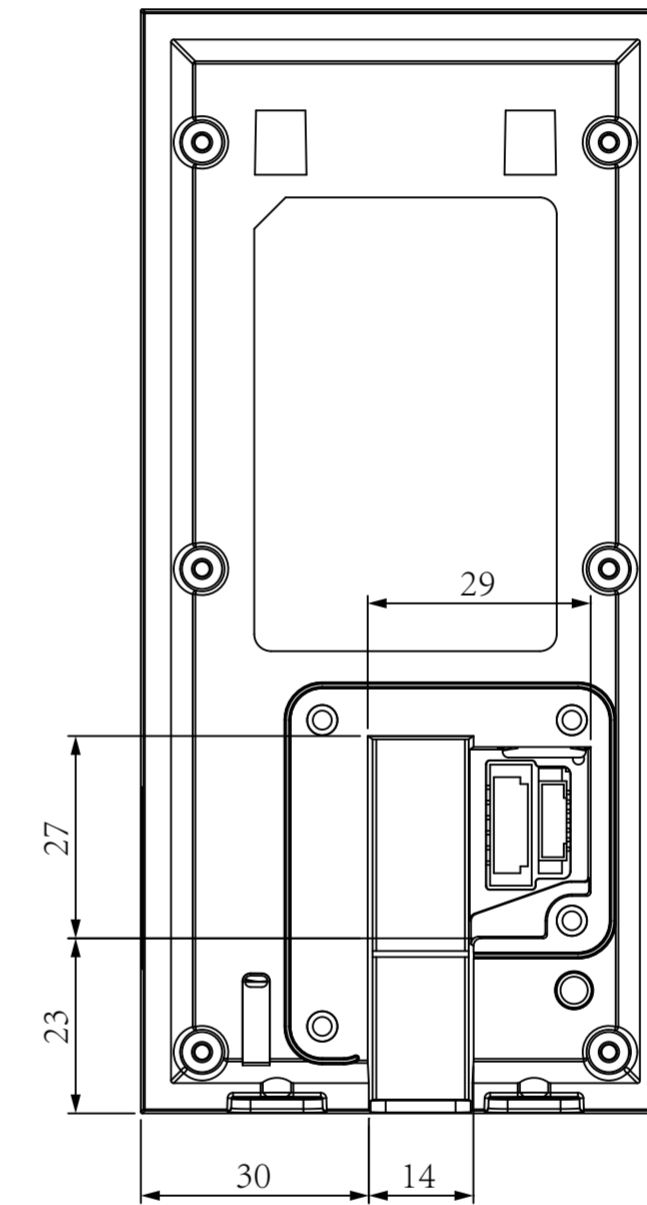
6 BOTTOM VIEW



2 RIGHT VIEW



3 LEFT VIEW



4 BACK VIEW

Applicable Model

E12

Drawing Title

Wall Mounting Bracket

Drawing Unit

mm

Drawing Scale

Not to scale

**DRAFT
SUBJECT TO
CHANGE**

Last Revised

Sep,01,2023

Drawing Version

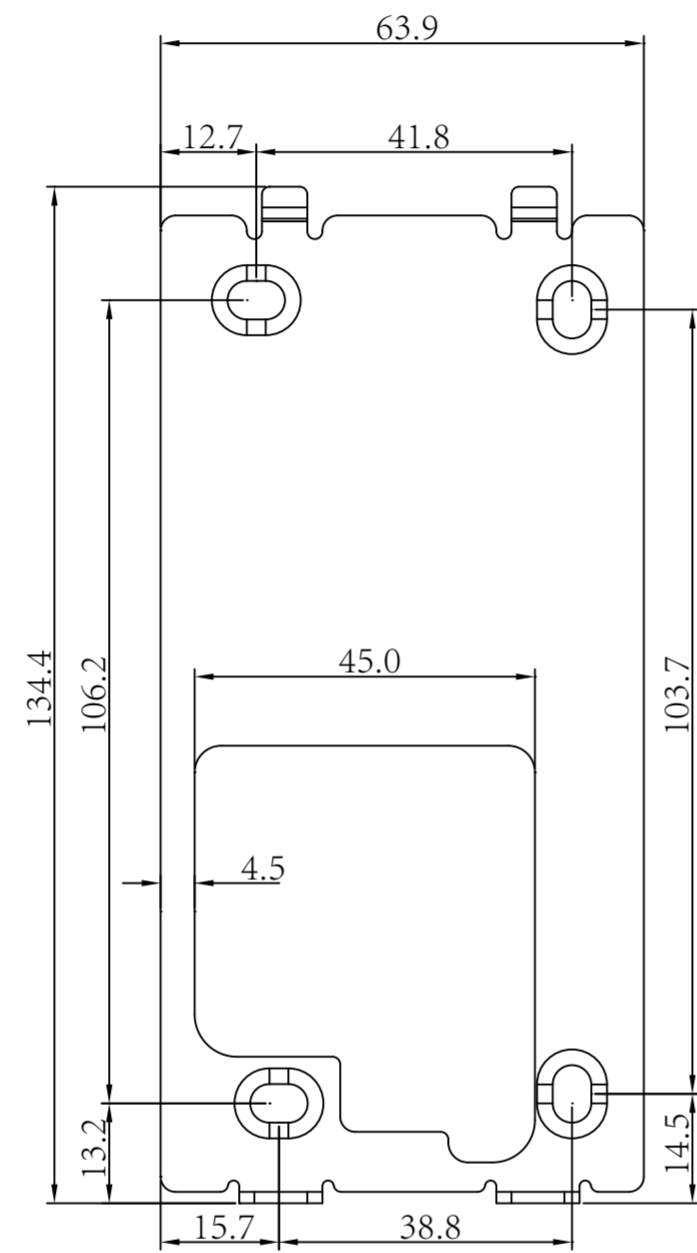
V1.0

Page

2 of 3



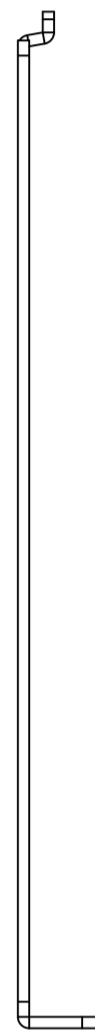
5 **TOP VIEW**



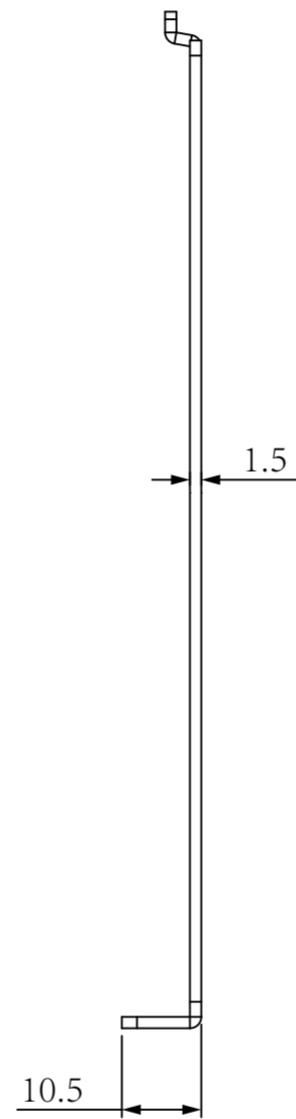
1 **FRONT VIEW**



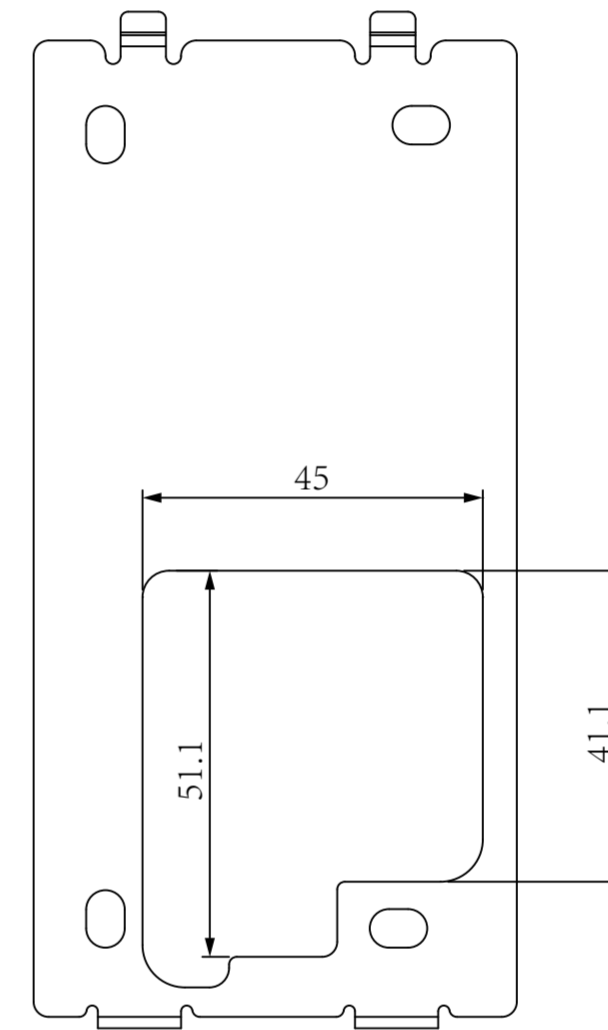
6 **BOTTOM VIEW**



2 **RIGHT VIEW**



3 **LEFT VIEW**



4 **BACK VIEW**

Applicable Model

E12

Drawing Title

Placement

Drawing Unit

mm

Drawing Scale

Not to scale

**DRAFT
SUBJECT TO
CHANGE**

Last Revised

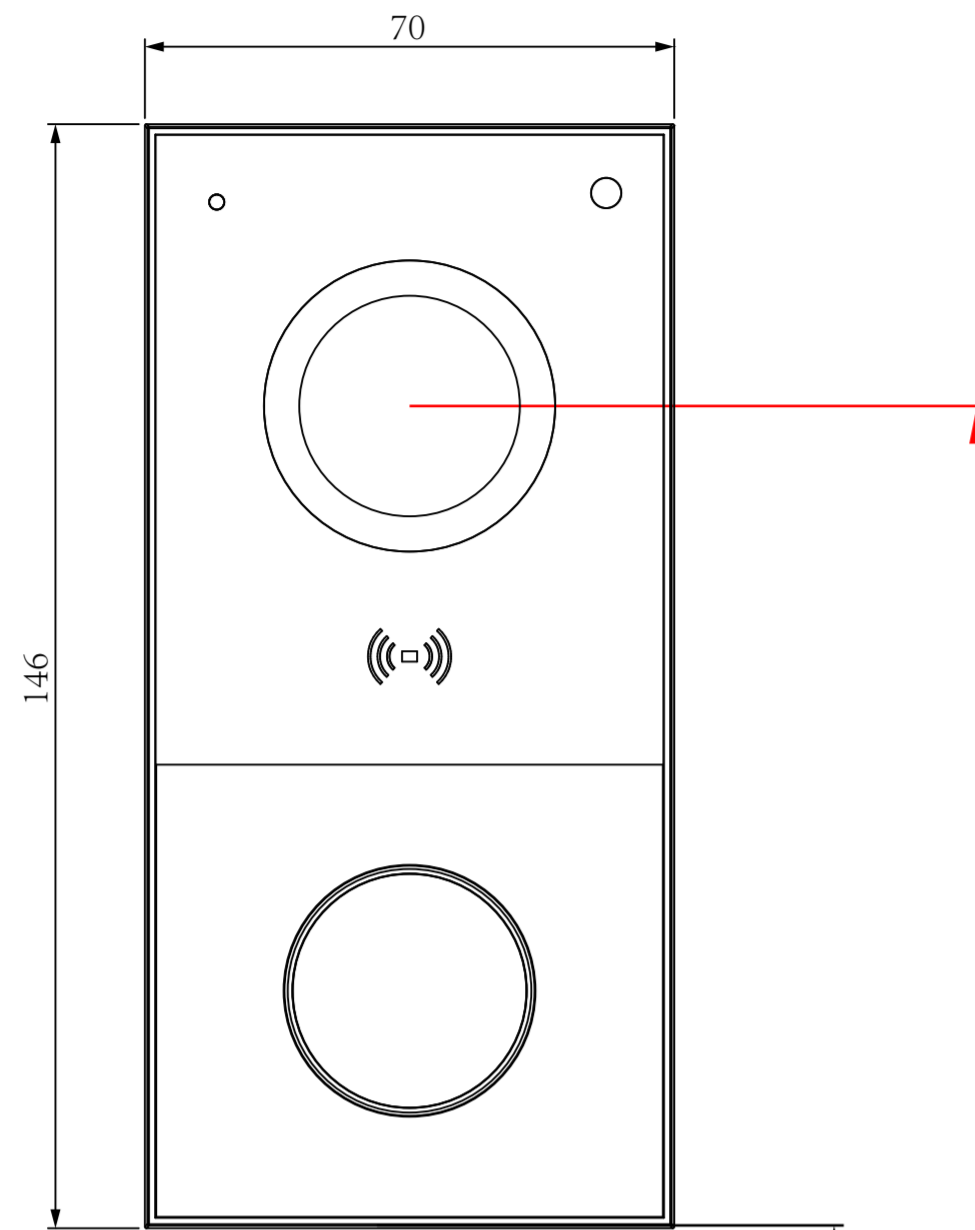
Sep,01,2023

Drawing Version

V1.0

Page

3 of 3

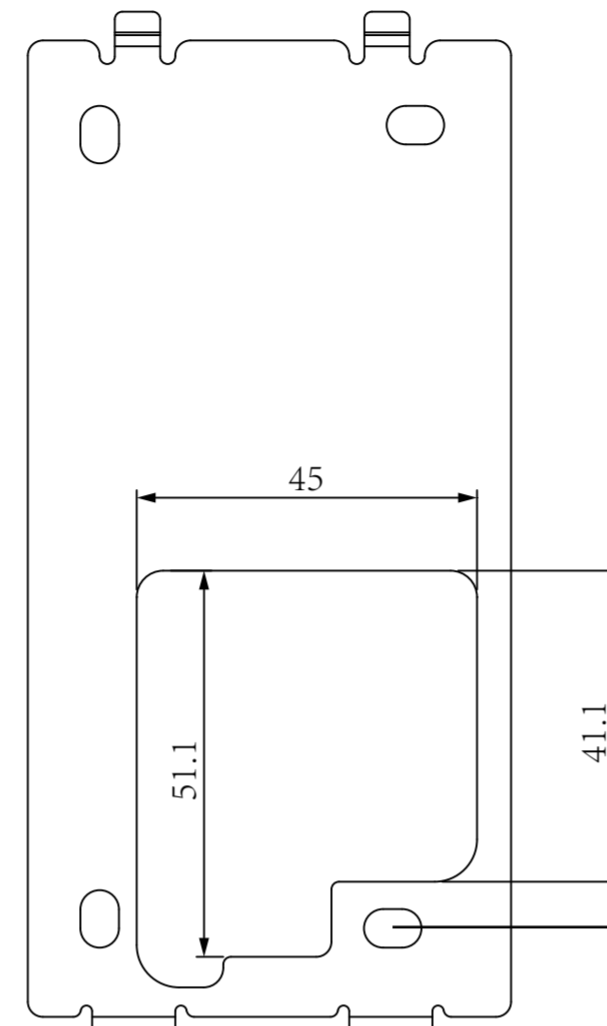
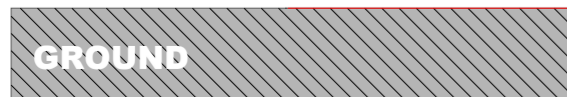


1 INTERCOM PANEL FRONT VIEW

1292mm TO BOTTOM OF PANEL

1400mm TO CENTER OF CAMERA

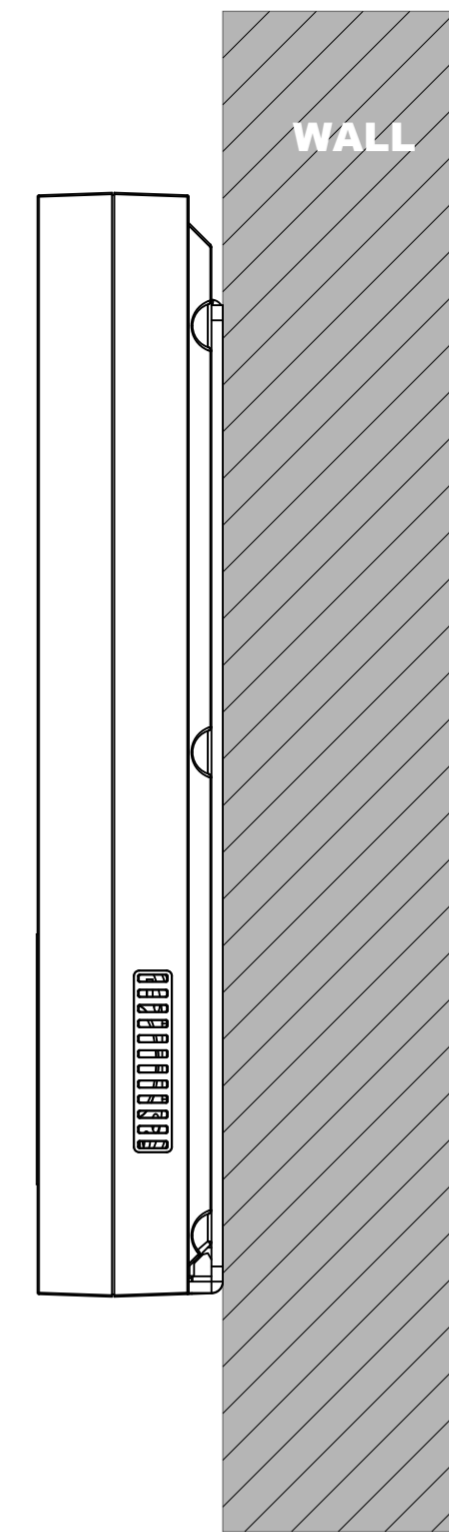
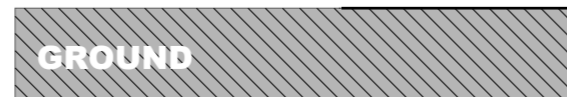
ADA Compliance Requirement



2 FRONT VIEW:WALL MOUNTING BRACKET PLACEMENT

1292mm TO BOTTOM OF BRACKET

1307mm TO SCREW HOLE CENTER OF BRACKET



3 SIDE VIEW:INTERCOM PANEL ON WALL