

Applicable Model

C313

Drawing Title

Indoor Monitor Panel

Drawing Unit

mm

Drawing Scale

Not to scale

**DRAFT
CHANGE TO
SUBJECT**

Last Revised

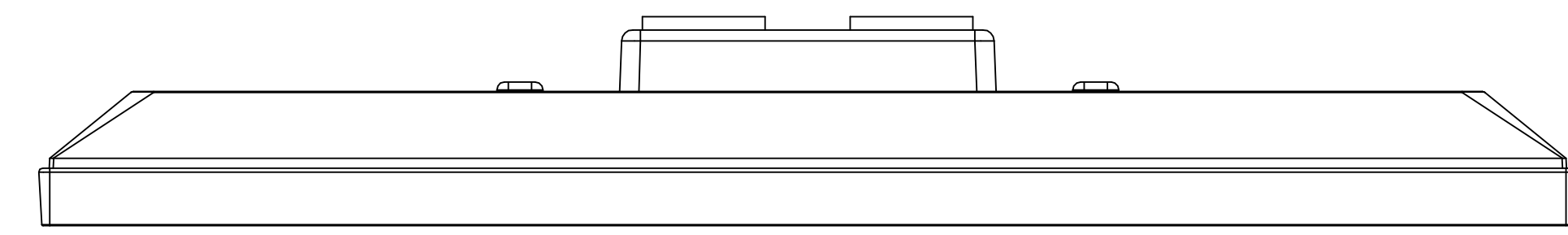
May 05,2022

Drawing Version

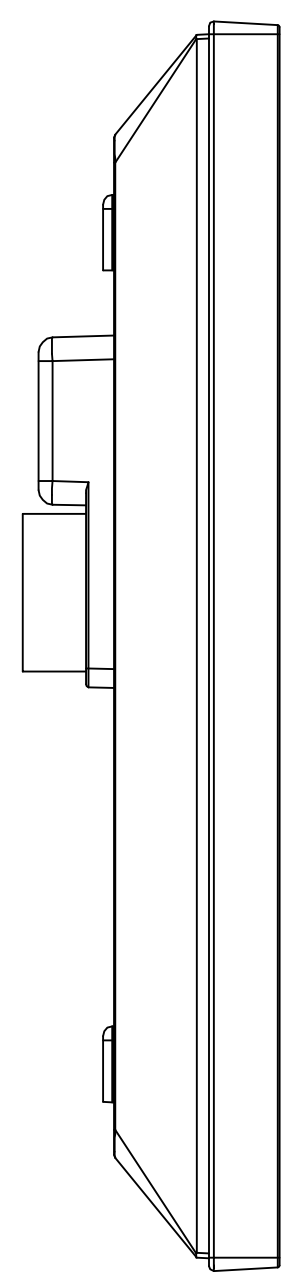
V1.0

Page

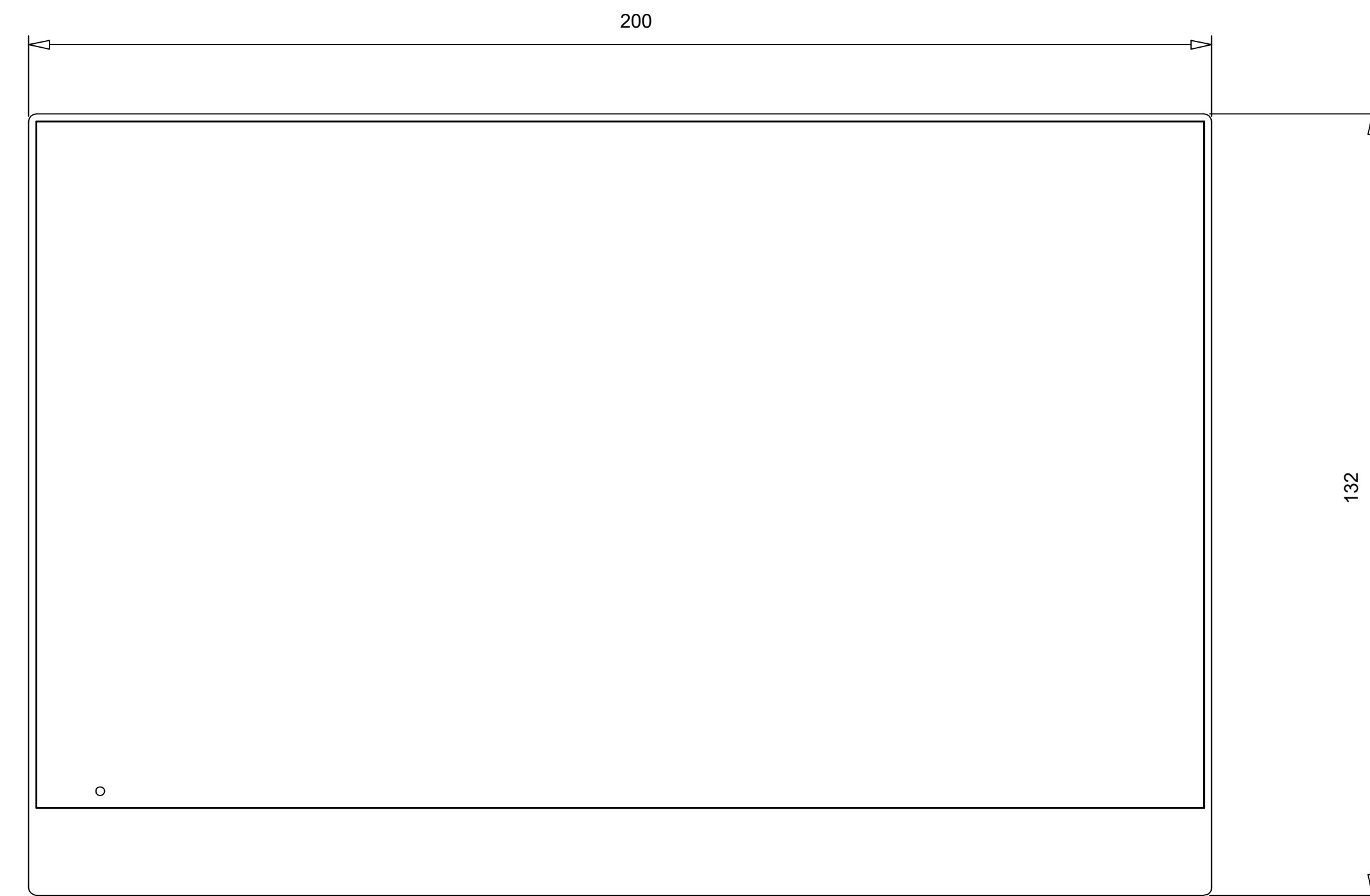
1 of 3



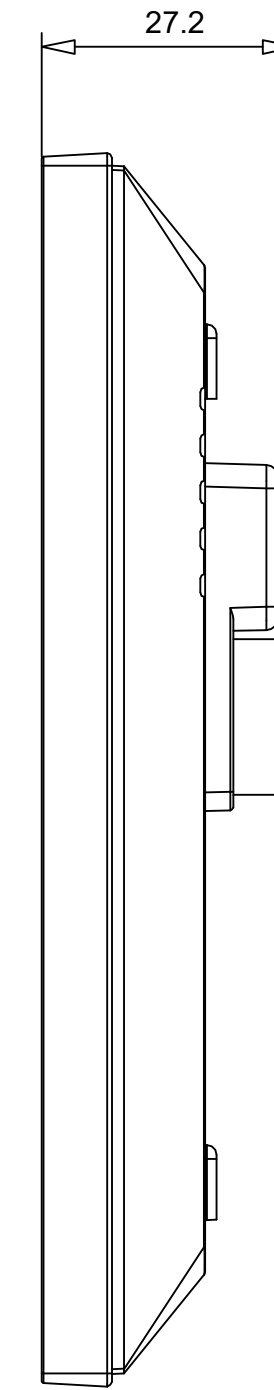
⑤ **TOP VIEW**



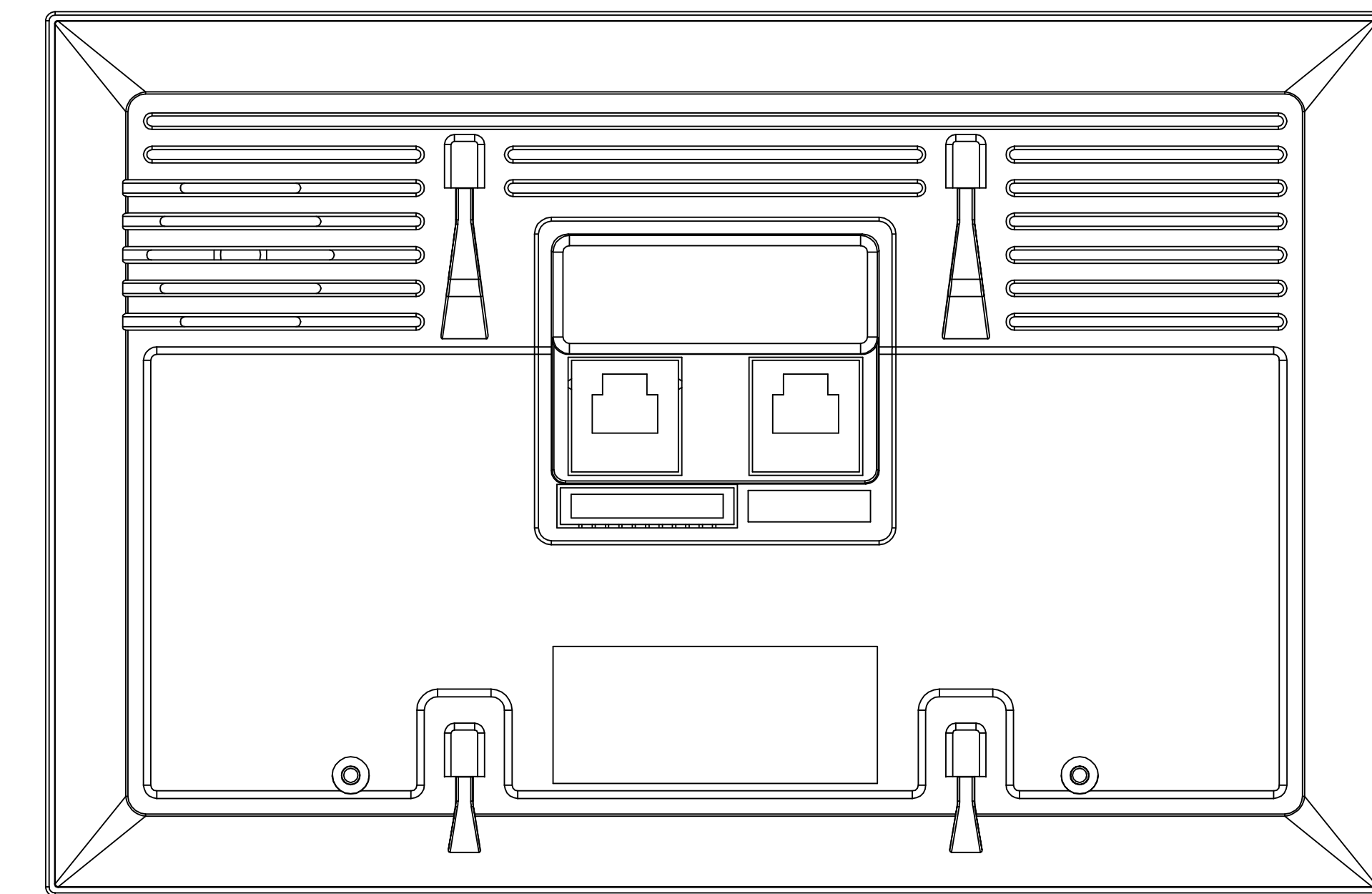
② **RIGHT VIEW**



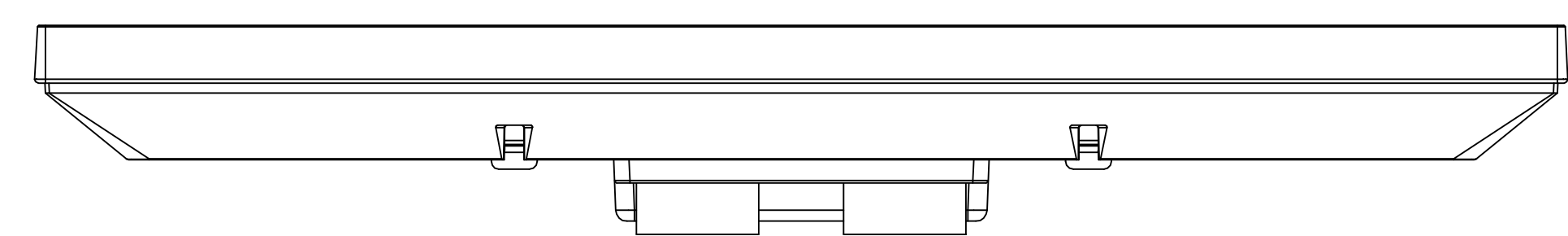
① **FRONT VIEW**



③ **LEFT VIEW**



④ **BACK VIEW**



⑥ **BOTTOM VIEW**

Applicable Model

C313

Drawing Title

Wall Mounting Bracket

Drawing Unit

mm

Drawing Scale

Not to scale

**DRAFT
SUBJECT TO
CHANGE**

Last Revised

May 05,2022

Drawing Version

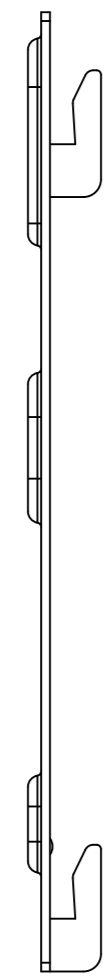
V1.0

Page

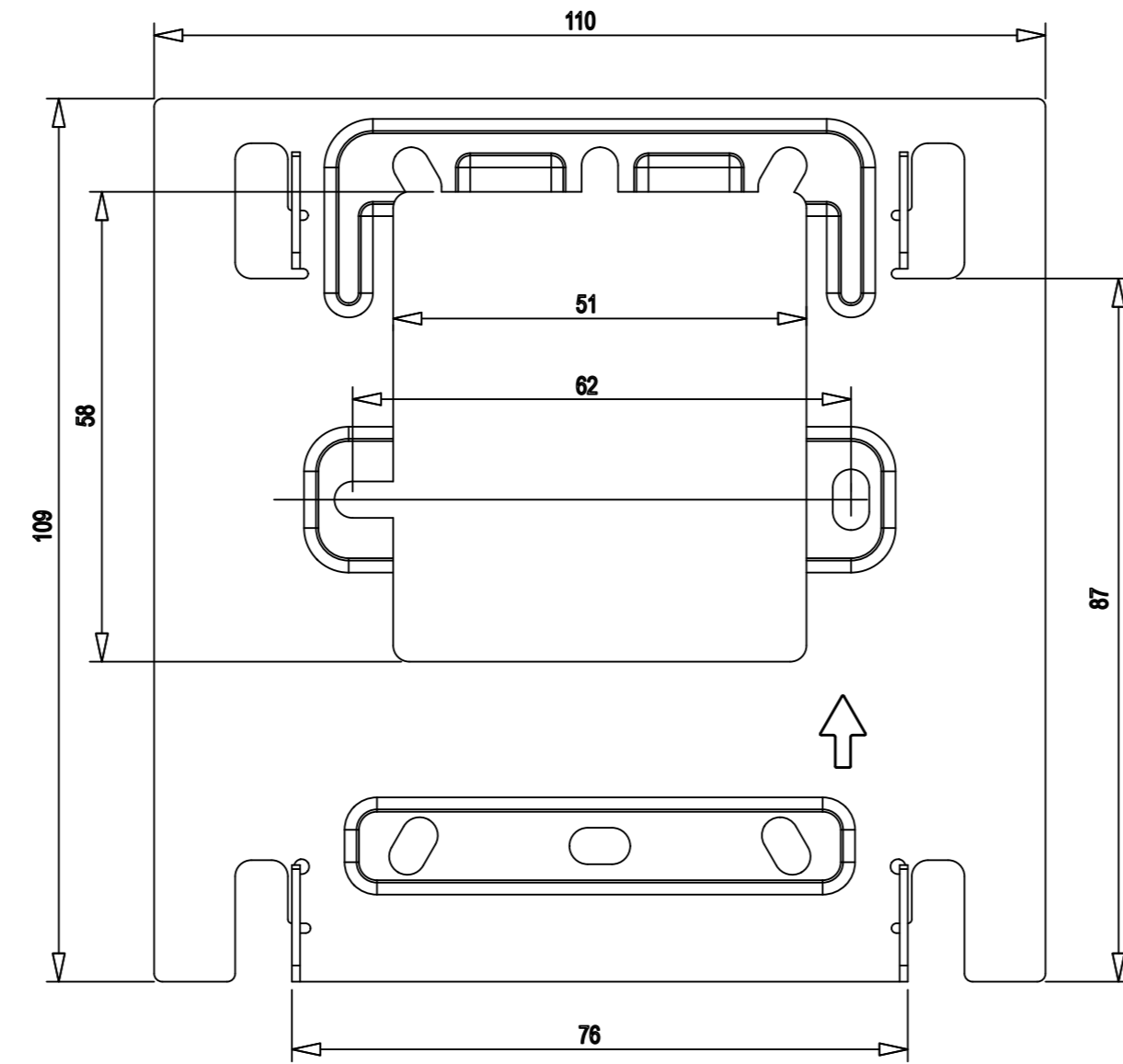
2 of 3



5 **TOP VIEW**



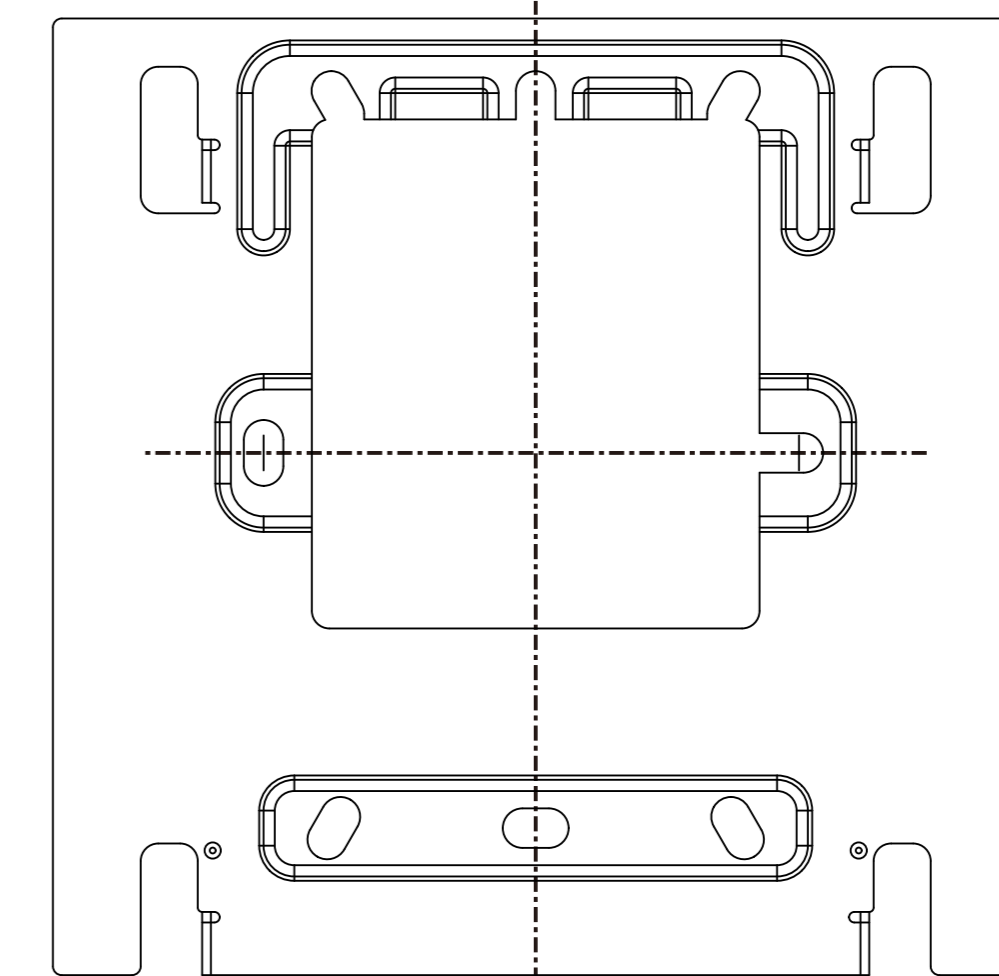
2 **RIGHT VIEW**



1 **FRONT VIEW**



3 **LEFT VIEW**



4 **BACK VIEW**



6 **BOTTOM VIEW**

Applicable Model

C313

Drawing Title

Placement

Drawing Unit

mm

Drawing Scale

Not to scale

**DRAFT
SUBJECT TO
CHANGE**

Last Revised

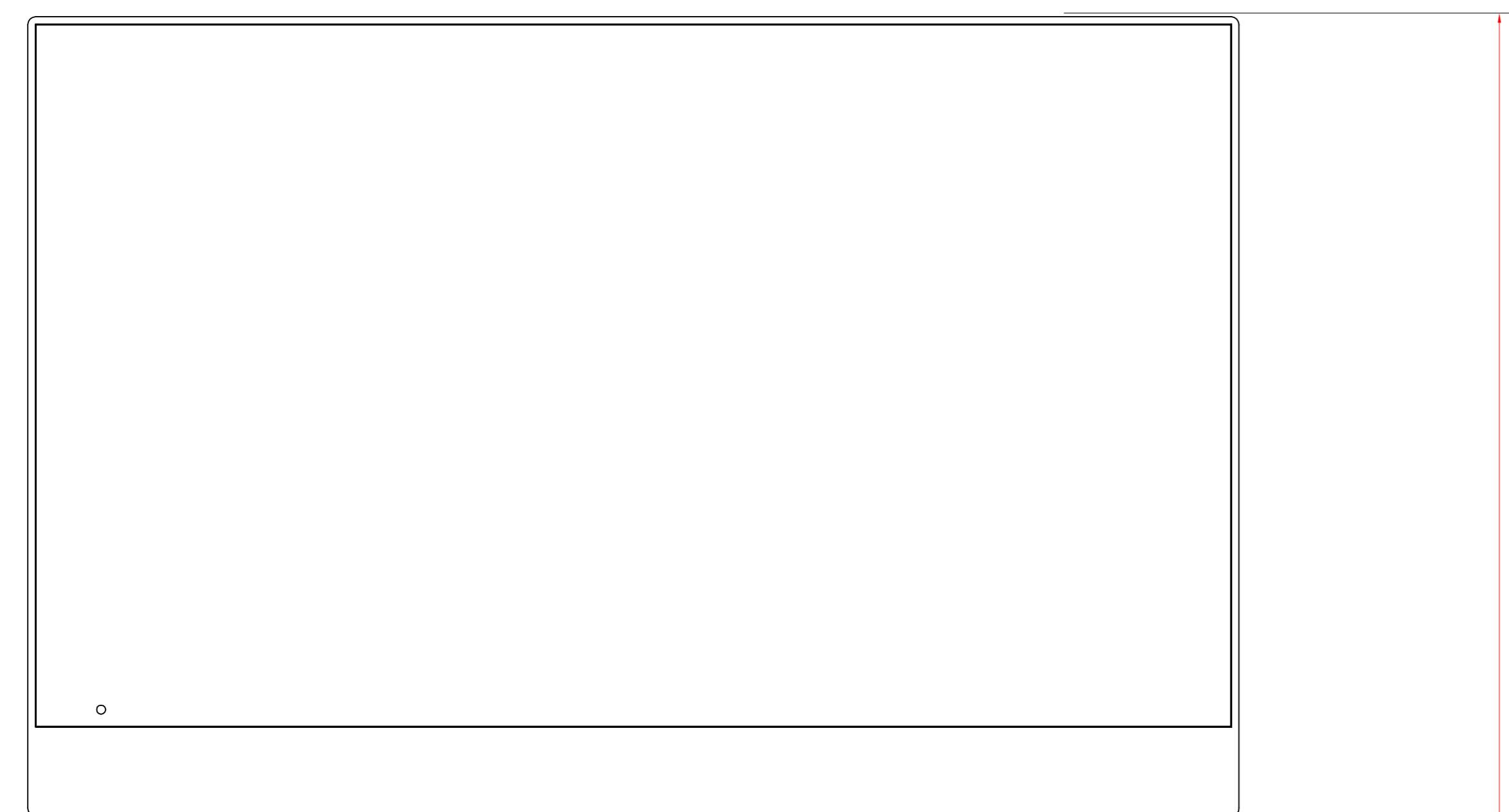
May 05,2022

Drawing Version

V1.0

Page

3 of 3



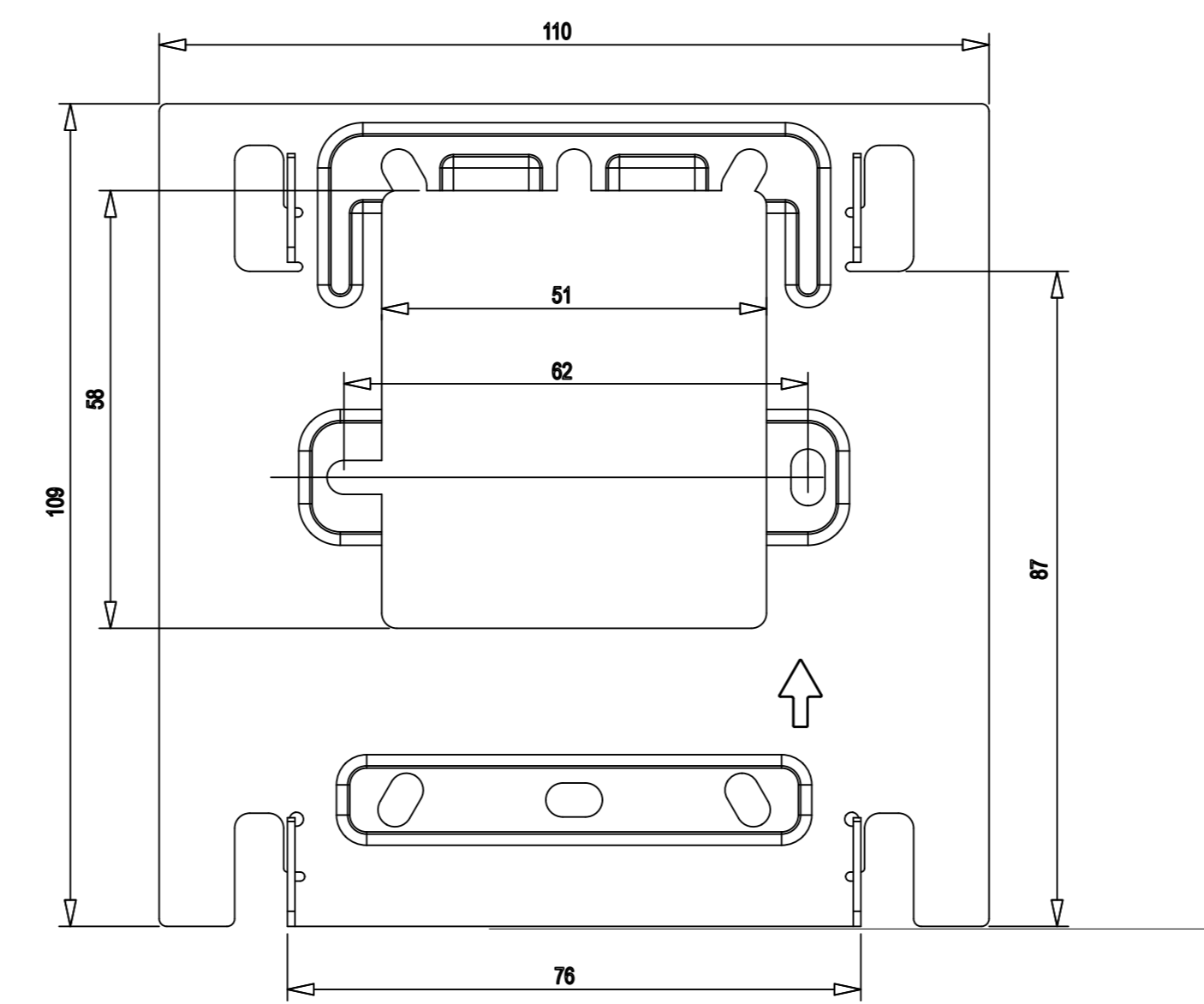
① INDOOR MONITOR PANEL FRONT VIEW

1070mm TO BOTTOM OF PANEL

1200mm MAX TO TOP OF USABLE TOUCHSCREEN

ADA Compliance Requirement

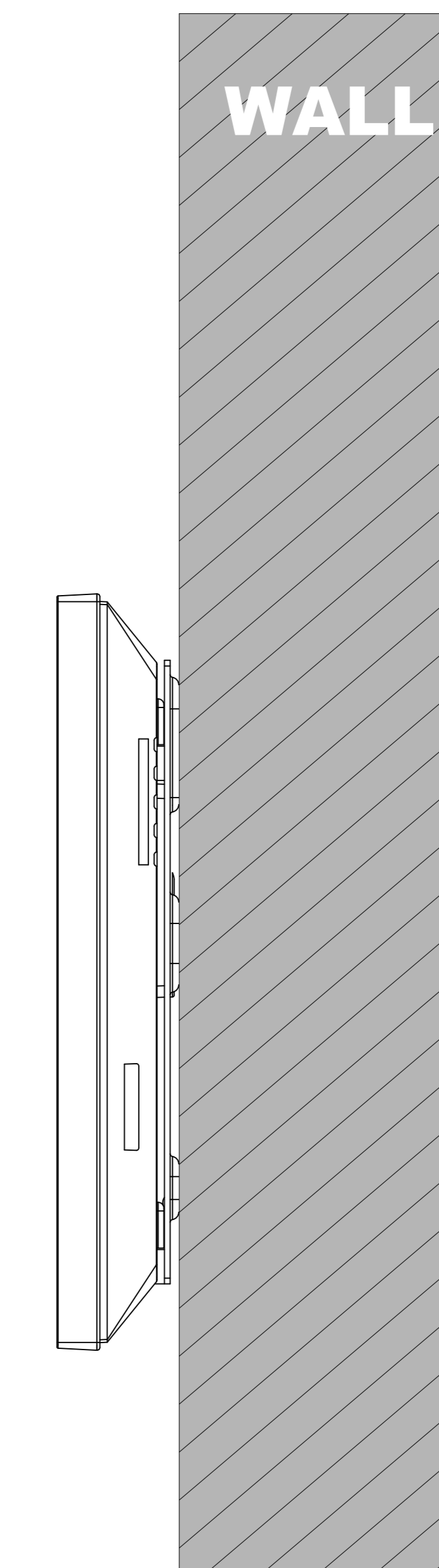
GROUND



② FRONT VIEW:WALL MOUNTING BRACKET PLACEMENT

1070mm TO BOTTOM OF BRACKET

GROUND



③ SIDE VIEW:INDOOR MONITOR ON WALL