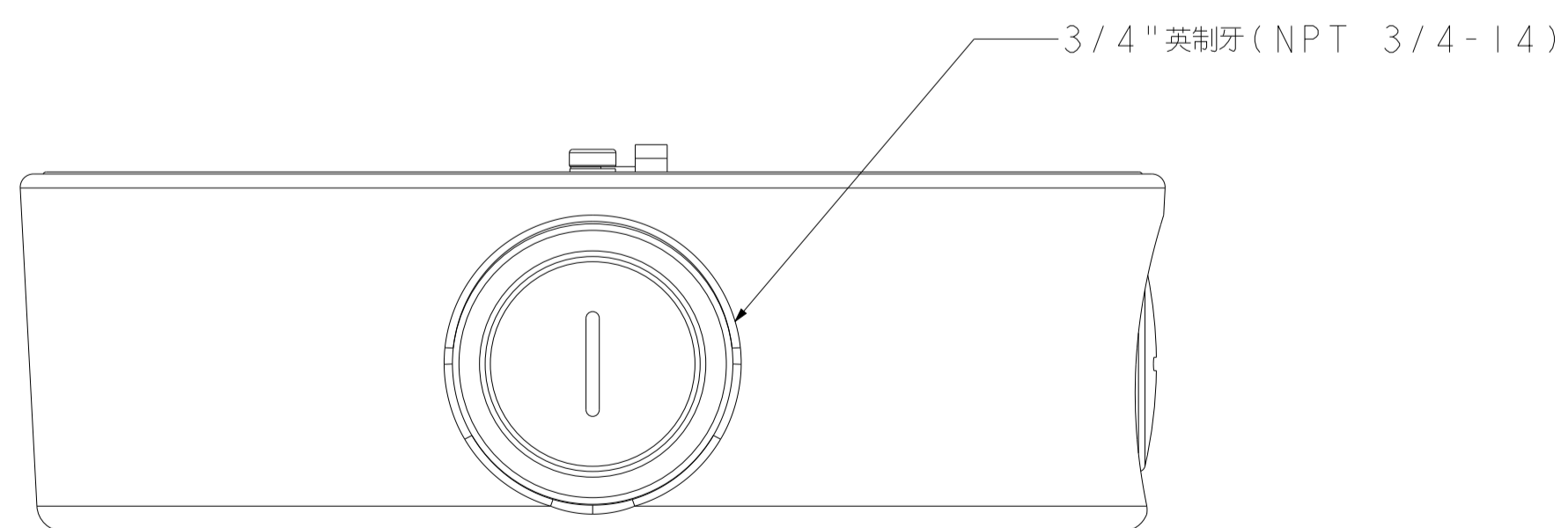
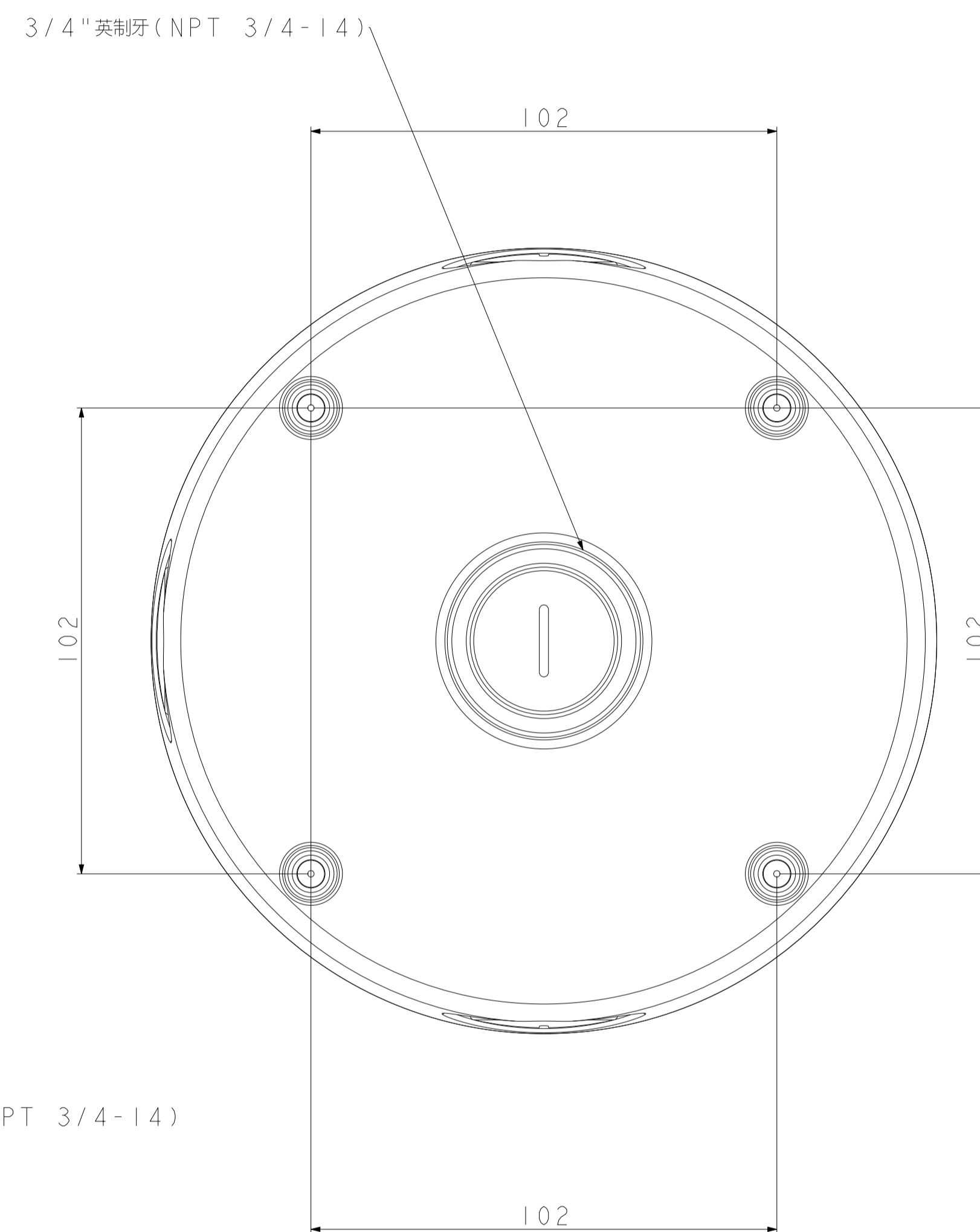
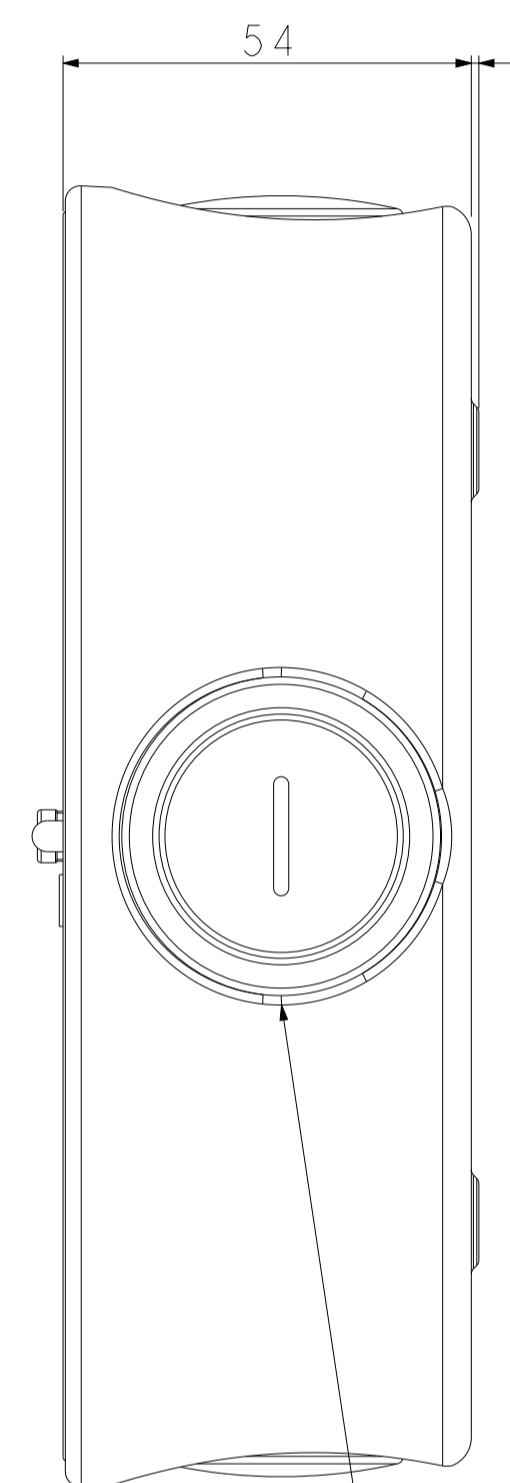
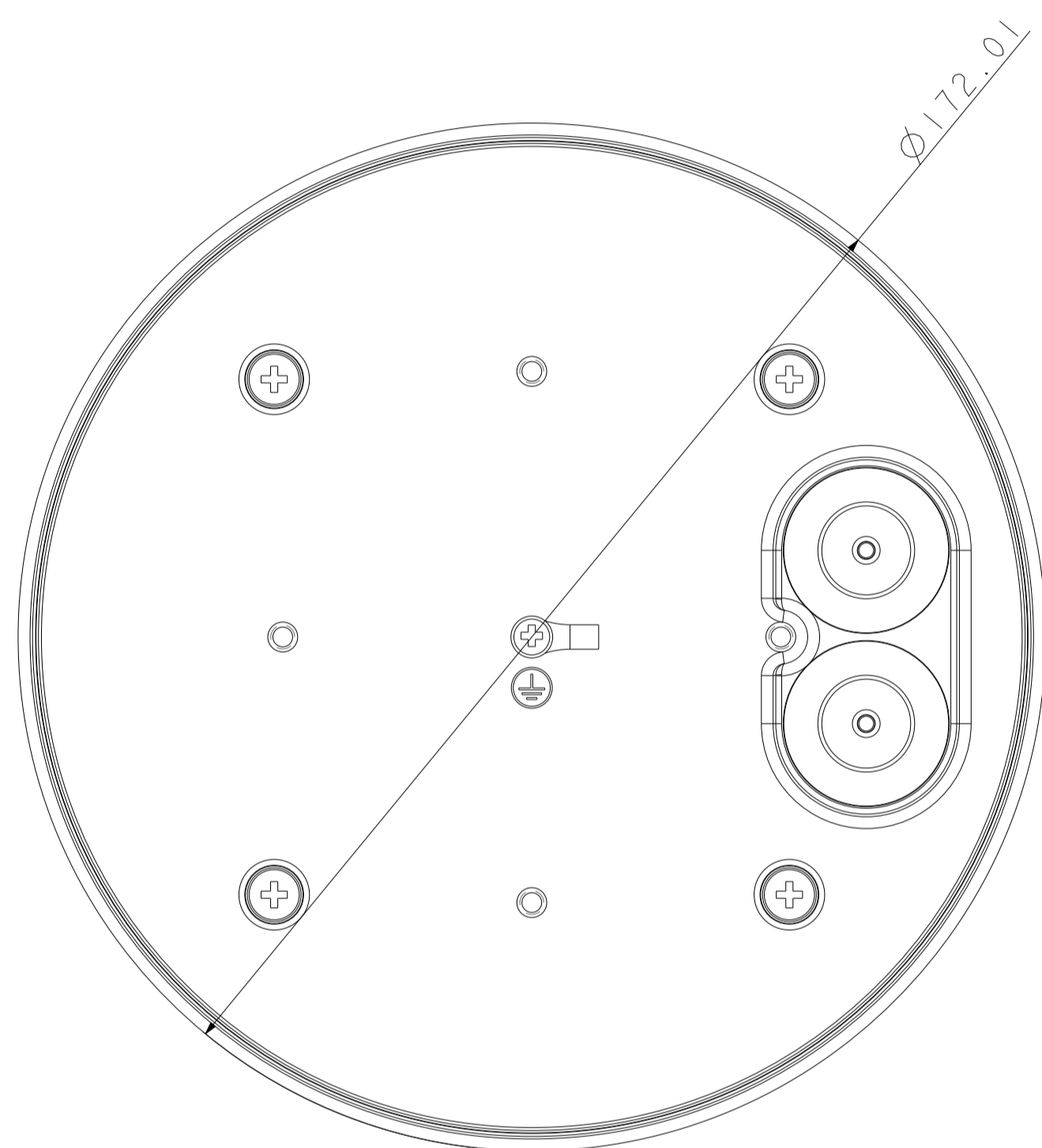
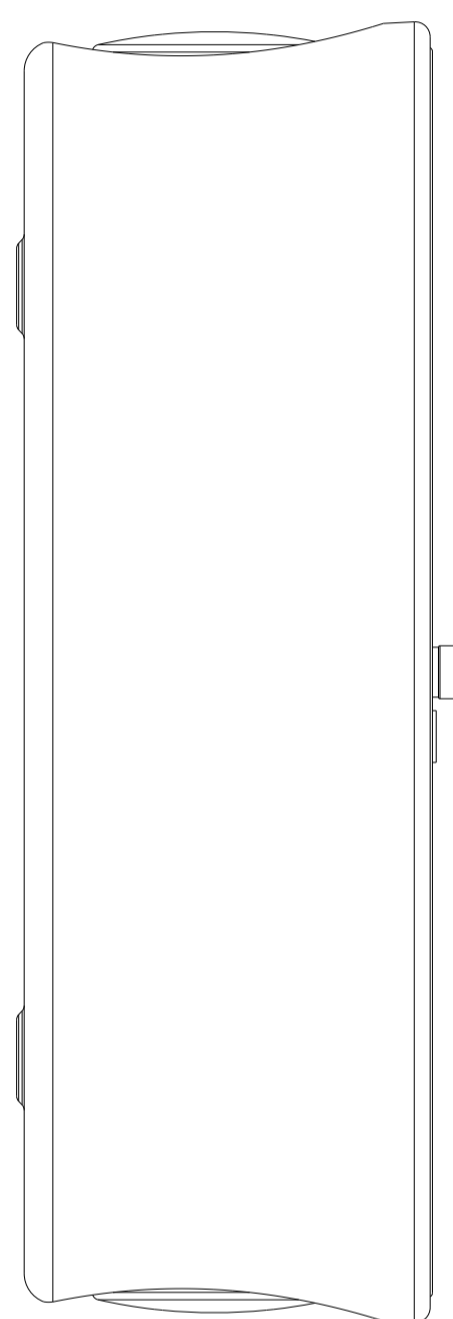
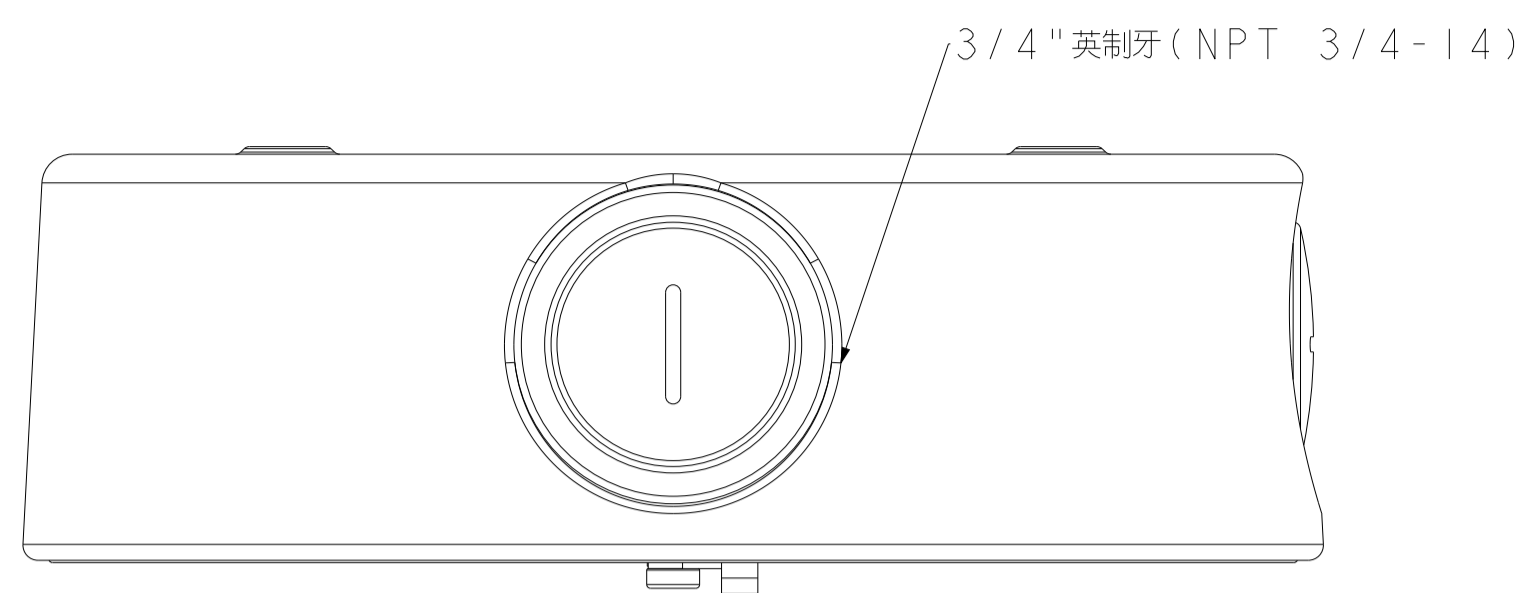


CONFIDENTIAL

REVISIONS				
REV	DESCRIPTION	POSITION	ENGINEER	DATE
1.0	New Edition			Jan-31-23



<small>ALL DIMENSIONS UNLESS OTHERWISE SPECIFIED conform to the standards shown.</small> <small>UNLESS OTHERWISE SPECIFIED</small>		VIVOTEK <small>VIVOTEK Incorporated</small>		PART NO. TBD ENGR MAGGIE MODEL AM-71G DRN MAGGIE DRAWING 6_VIEWS_AM-71G CHK KIMI TITLE	
<small>THIS DRAWING IS THE PROPERTY OF VIVOTEK INC. AND SHALL NOT BE USED OR REPRODUCED IN WHOLE OR IN PART WITHOUT VIVOTEK'S CONSENT.</small> <small>CPD2-W1-014-01-6</small>		<small>FINISH TBD</small> <small>SCALE 1:1</small> <small>UNIT mm</small>		M TL TBD ISSUE DATE Jan-31-23 REVISION 1.0 SIZE A1 SHEET 1 of 1	