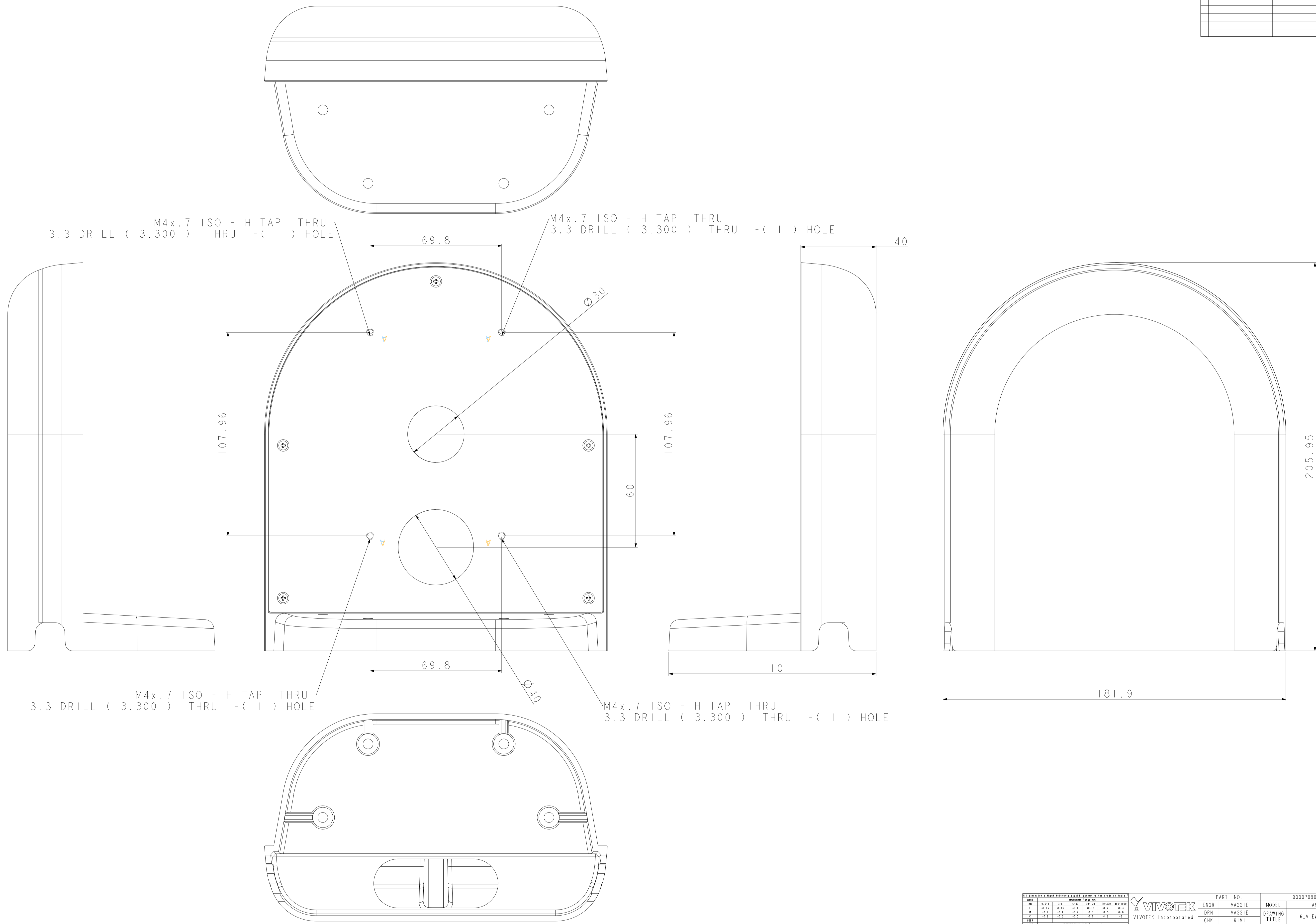


CONFIDENTIAL

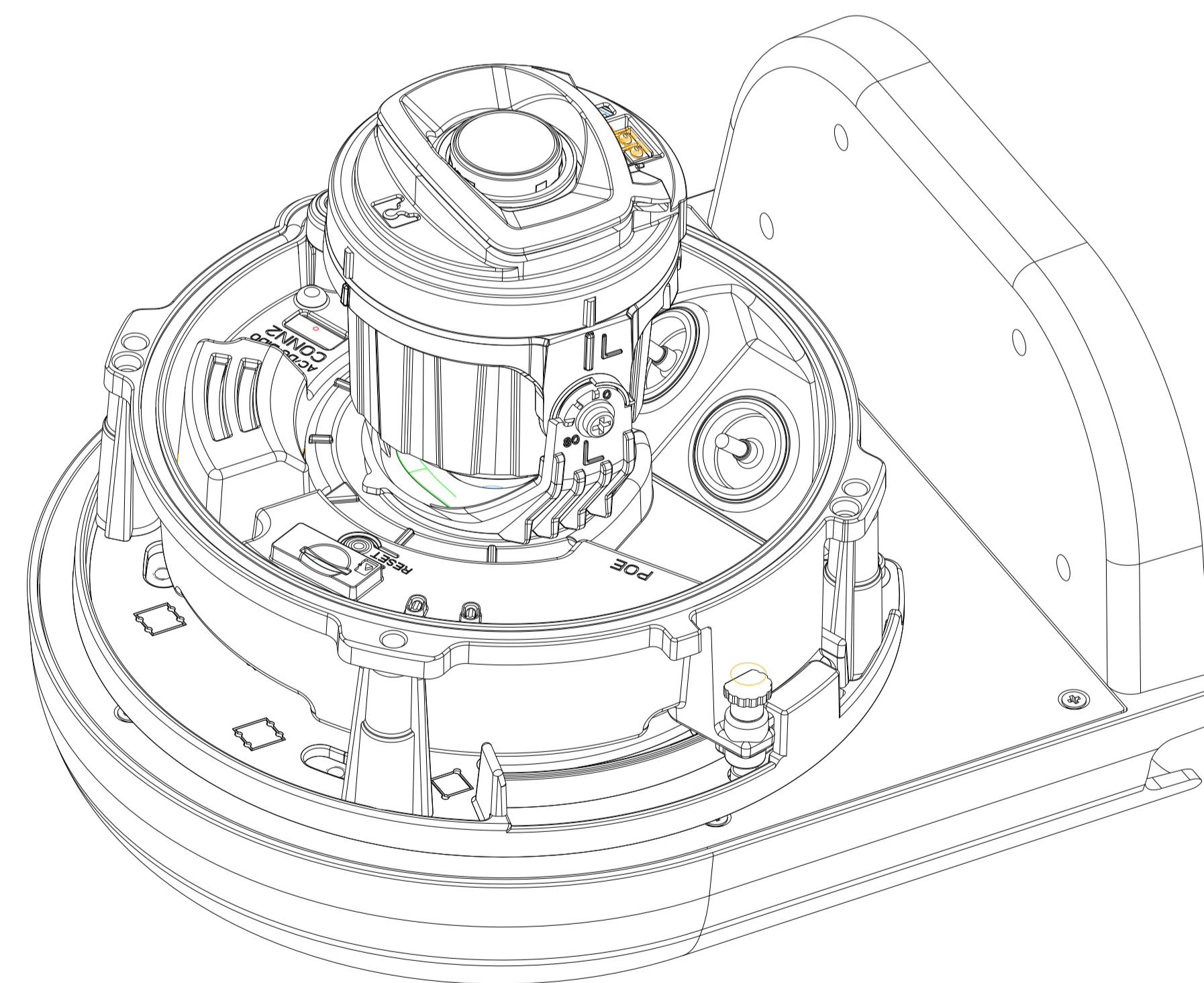
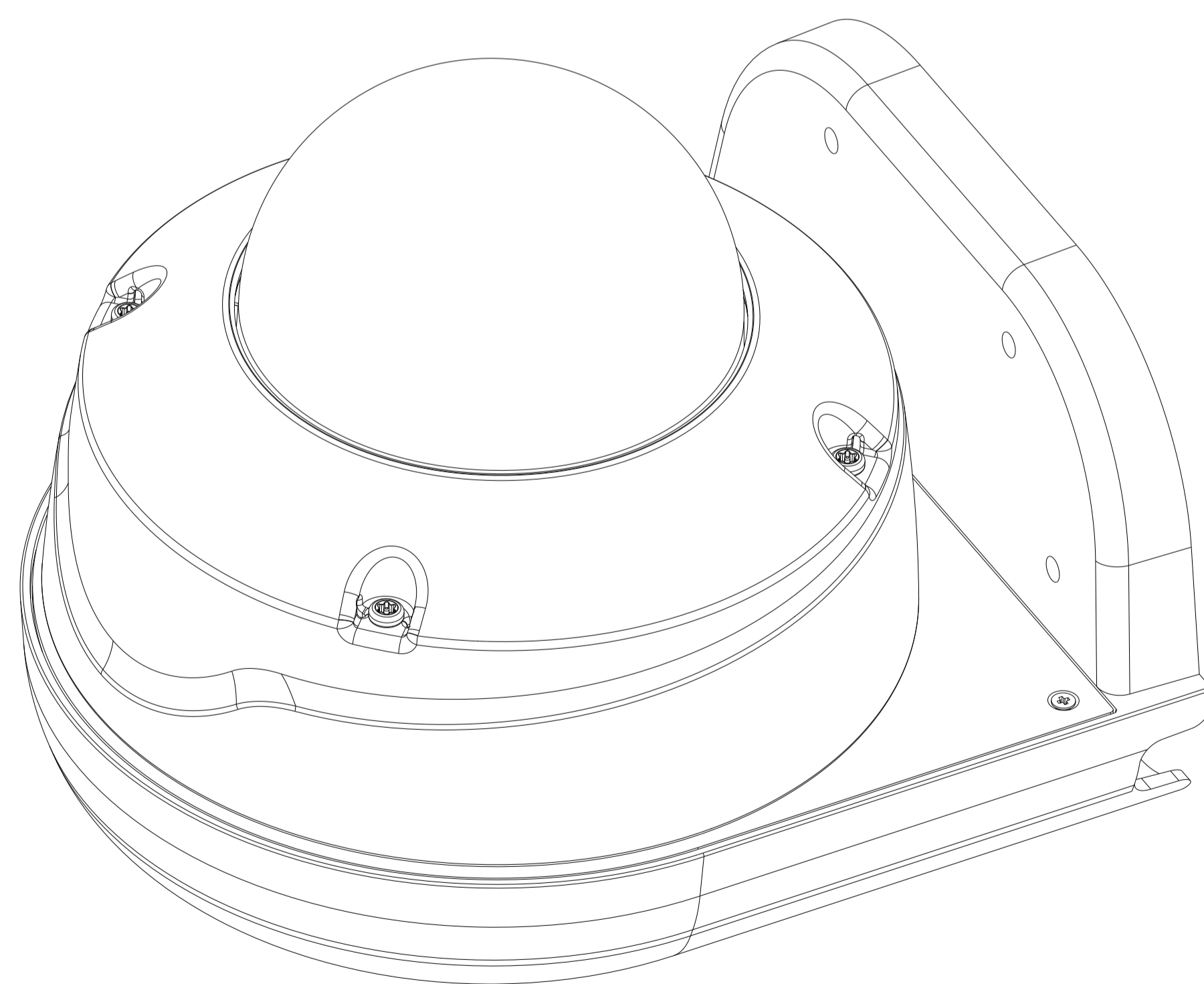
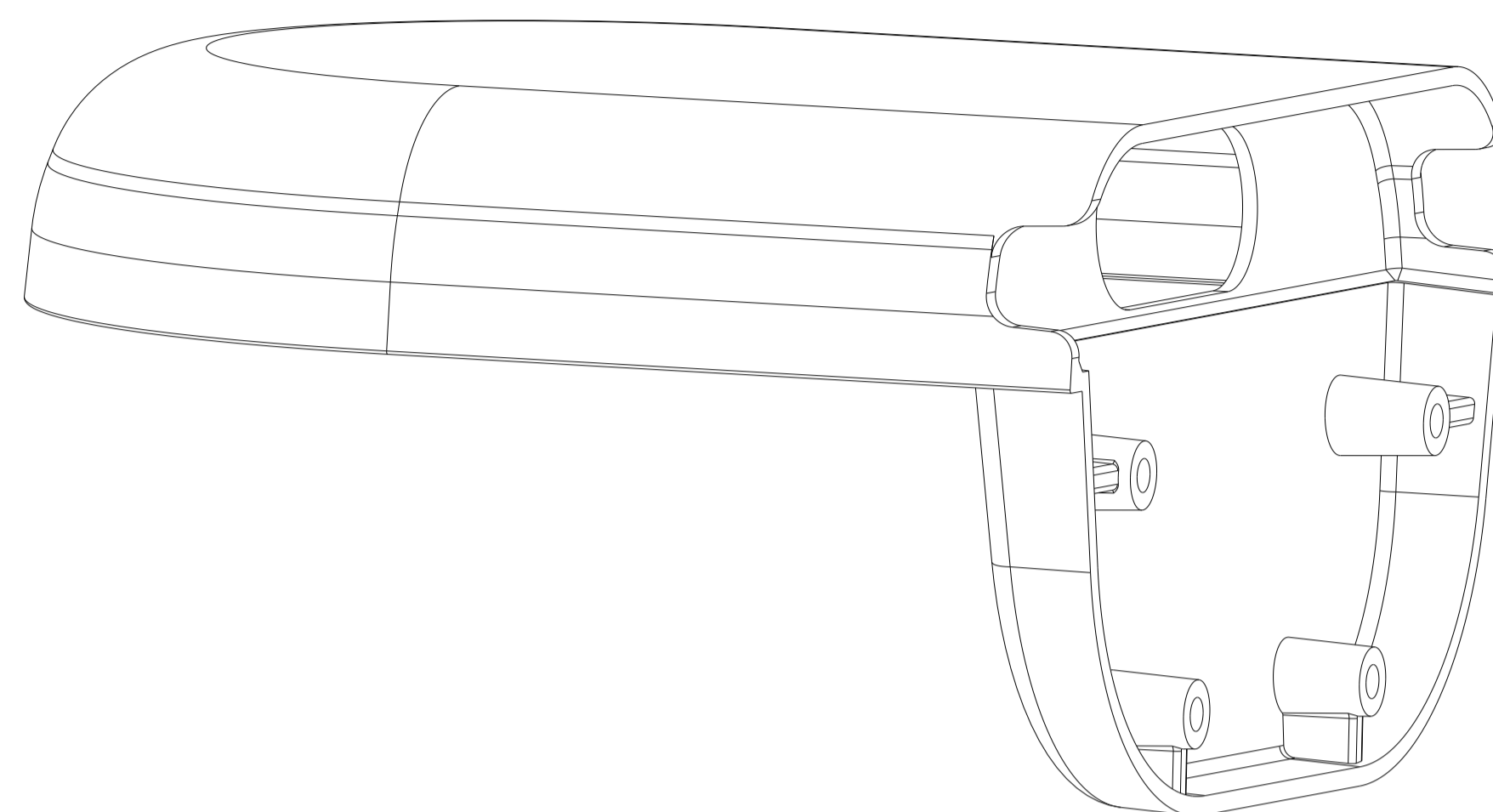
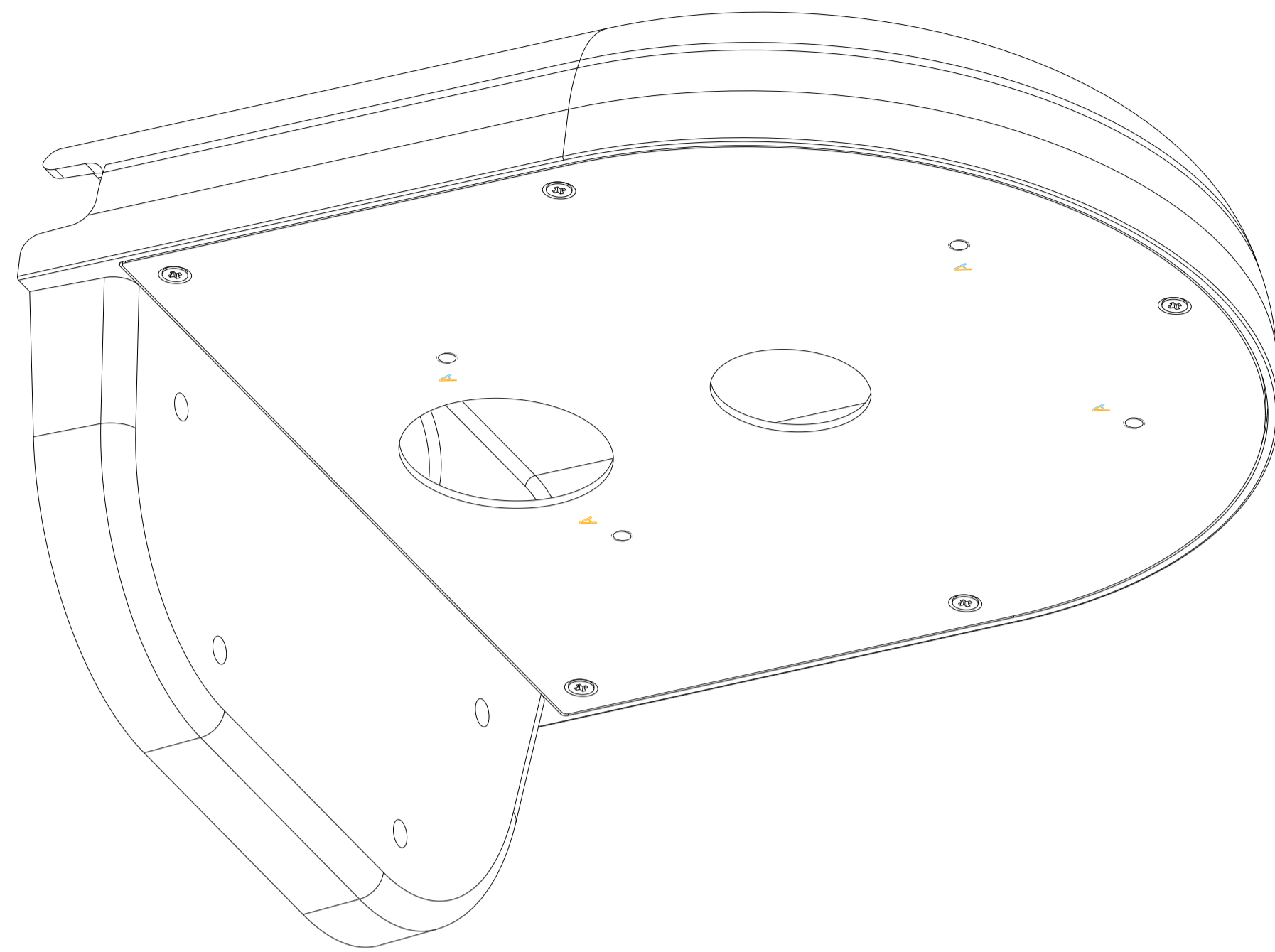
REVISIONS				
REV	DESCRIPTION	POSITION	ENGINEER	DATE
1.0	New Edition			Sep-26-22



<small>ALL DIMENSIONS UNLESS OTHERWISE SPECIFIED CONFORM TO THE GRADE OR TOLERANCE</small> <small>UNLESS OTHERWISE SPECIFIED</small>		<b>VIVOTEK</b> VIVOTEK Incorporated		PART NO. 900070900G ENGR MAGGIE DRN MAGGIE CHK KIMI	MODEL AM-210 DRAWING TITLE 6_VIEWS_AM-210
<small>THIS DRAWING IS THE PROPERTY OF VIVOTEK INC. AND SHALL NOT BE USED OR REPRODUCED IN WHOLE OR IN PART BY THIRD PARTIES WITHOUT VIVOTEK'S CONSENT.</small> CPD2-W1-014-01-6	M T/L FINISH ASSY SCALE SIZE	ASSY SCALE SIZE	ISSUE DATE Sep-26-22	REVISION 1.0	UNIT mm

CONFIDENTIAL

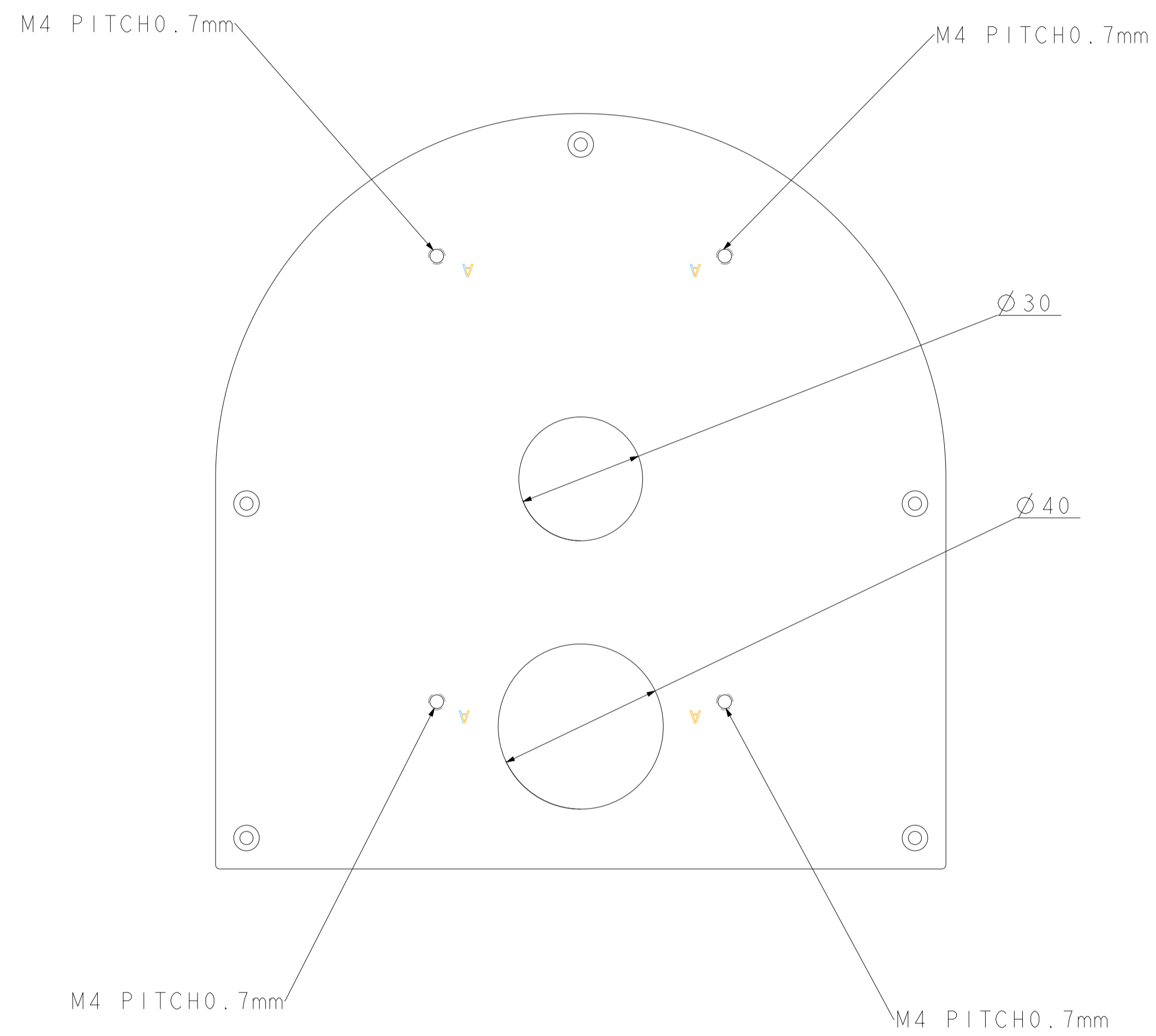
REVISIONS				
REV	DESCRIPTION	POSITION	ENGINEER	DATE
1.0	New Edition			Sep-26-22



<small>ALL DIMENSIONS UNLESS OTHERWISE SPECIFIED CONFORM TO THE GRADE OR TOLERANCE</small> <small>UNLESS OTHERWISE SPECIFIED</small>		<b>VIVOTEK</b> VIVOTEK Incorporated		PART NO. 900070900G MODEL AM-210	
<small>FINISH</small> M TL FINISH ASSY	<small>DRN</small> MAGGIE	<small>DRAWING TITLE</small> 6_VIEWS.AM-210	<small>ISSUE DATE</small> Sep-26-22	<small>REVISION</small> 1	<small>UNIT</small> mm
<small>CPD2-W1-014-01-6</small>	<small>SIZE</small> A1	<small>SHEET</small> 2 of 3	<small>THIS DRAWING IS THE PROPERTY OF VIVOTEK INC. AND SHALL NOT BE USED OR REPRODUCED IN WHOLE OR IN PART WITHOUT VIVOTEK'S CONSENT.</small>		

CONFIDENTIAL

REVISIONS				
REV	DESCRIPTION	POSITION	ENGINEER	DATE
1.0	New Edition			Oct-13-22



<small>ALL DIMENSIONS UNLESS OTHERWISE SPECIFIED conform to the standards shown.</small> <small>UNLESS OTHERWISE SPECIFIED</small>		<b>VIVOTEK</b> <small>VIVOTEK Incorporated</small>		PART NO. 9000T0900G ENGR MAGGIE MODEL AM-210 DRN MAGGIE DRAWING 6_VIEWS_AM-210 CHK KIMI TITLE
<small>THIS DRAWING IS THE PROPERTY OF VIVOTEK INC. AND SHALL NOT BE USED OR REPRODUCED IN WHOLE OR IN PART WITHOUT VIVOTEK'S CONSENT.</small> CPD2-W1-014-01-6	M TL ASSY ISSUE DATE Oct-13-22 REVISION 1.0 FINISH ASSY SCALE 1:1 UNIT mm SIZE A1 SHEET 3 OF 3	<small>UNLESS OTHERWISE SPECIFIED</small>		<small>UNLESS OTHERWISE SPECIFIED</small>