



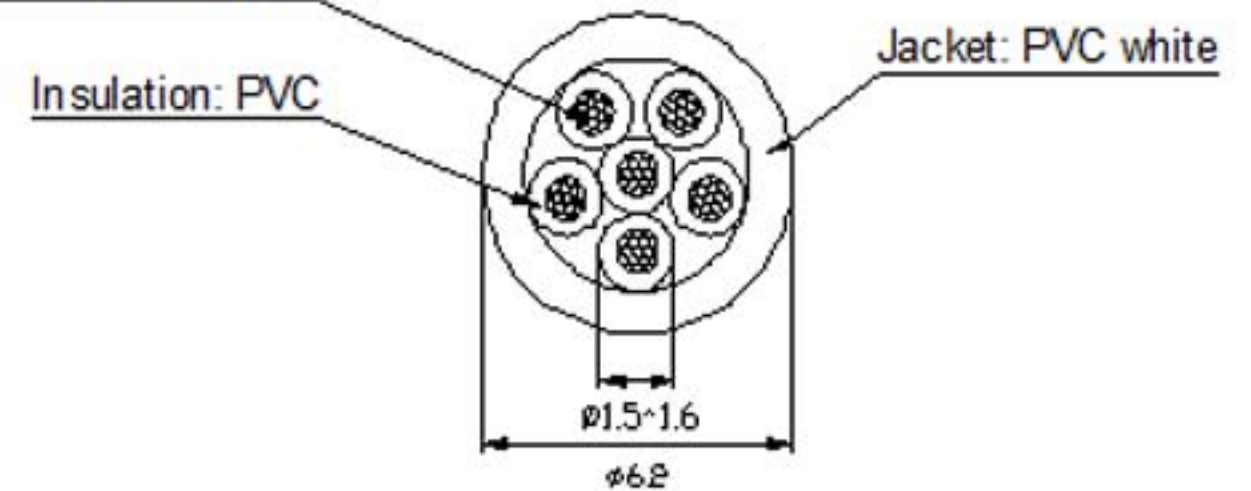
Direct Cable Supplies™
We Have All The Connections



Specification Sheet

CM-A614020

Conductor: 14/0.2 bare copper



www.directcables.com.au

DCS Product Code	Description	Size
CM-A614/0.20-1	Alarm 6 core 14/0.20 (WHITE)	100m
CM-A614/0.20	Alarm 6 core 14/0.20 (WHITE)(300m Pull Box with reel)	300m
CM-GYA614/0.20-1	Alarm 6 core 14/0.20 (GREY)	100m
CM-GYA614/0.20	Alarm 6 core 14/0.20 (GREY)(300m Pull Box with reel)	300m

Conductor	14/0.2 bare copper
Conductor Resistance(MΩ/KM)	48.2
Insulation	PVC Red, Yellow, Green, White, Blue, Black
Thickness of insulation	0.3mm
ID	1.5±0.05mm
Jacket	PVC white
Thickness of jacket	0.7mm
Min. insulation resistance(MΩ/KM)	0.014
OD	6.2±0.1mm