



James Modular Serving Cart  
by MARQQA



Serving Cart 2-Module Structure  
by MARQQA



Design by  
Sara Moura Martins

Materials  
Lacquered steel  
or polished stainless steel

Dimensions  
W 34" x D 16" x H 32"

Net Weight  
13 lbs

Package Dimensions  
Box 1 - L 35" x W 19" x H 9"  
Box 2 - L 30" x W 4" x H 4"

Delivery Weight  
Box 1 - 14 lbs  
Box 2 - 4 lbs

Country of Origin  
Portugal

Warranty  
2 years (limited)

COLORS



lacquered  
white



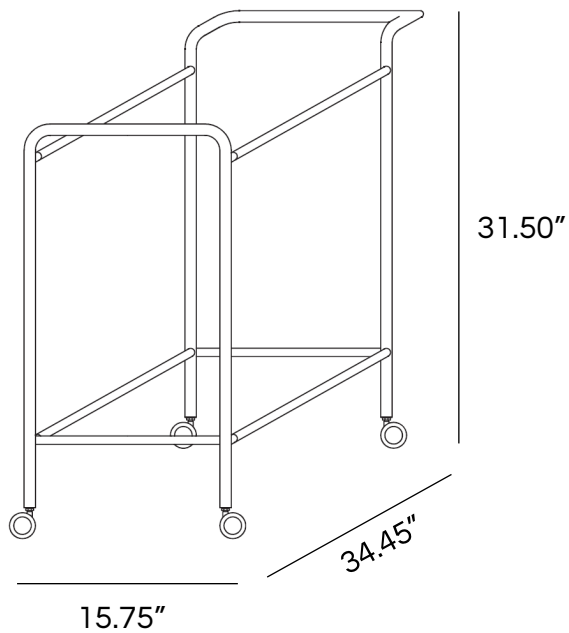
lacquered  
black

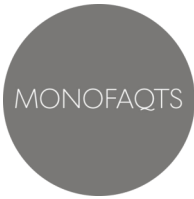


polished  
silver



polished  
gold





# Large Flat Top

by MARQQA



Design by  
Sara Moura Martins

Materials  
Solid oak or lacquered MDF

Dimensions  
L 16" x W 25" x H 1"

Net Weight  
8 lbs

Package Dimensions  
L 28" x W 20" x H 6"

Delivery Weight  
10 lbs

Country of Origin  
Portugal

Warranty  
2 years (limited)

COLORS



natural oak



**brown oak**



chocolate oak



white



taupe



mustard



brick



rose



dark green



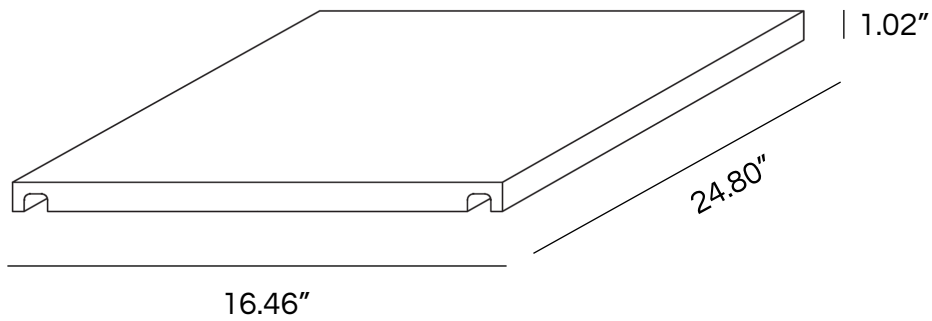
light green

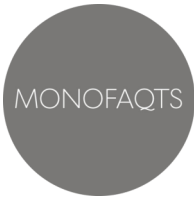


dark blue



light blue





# Large Tray Top

by MARQQA



Design by  
Sara Moura Martins

Materials  
Solid oak or lacquered MDF

Dimensions  
L 16" x W 25" x H 2"

Net Weight  
8 lbs

Package Dimensions  
L 28" x W 20" x H 6"

Delivery Weight  
10 lbs

Country of Origin  
Portugal

Warranty  
2 years (limited)

COLORS



natural oak



**brown oak**



chocolate oak



white



taupe



mustard



brick



rose



dark green



light green



dark blue



light blue

