



# User Manual

## Digital voice recorder

---

This Quick Start Guide is designed to provide instructions on the basic operations of the device. Please read the guide carefully before using the device.

If the device is not used for long time, please charge and discharge it every 3 months to protect the battery.

### **Precautions**

#### **Charging**

Do not use the recorder while charging. Do not leave the recorder on the bed, under the pillow or any locations easily accessible to children. Always keep the device in a safe place.

#### **Reminder**

Do not press the power button while recording to avoid losing the current recording data.

### **Interference**

All devices are prone to possible interference which may affect their functions. Therefore, keep your recorder away from any source of interference when recording.

### **Back Up**

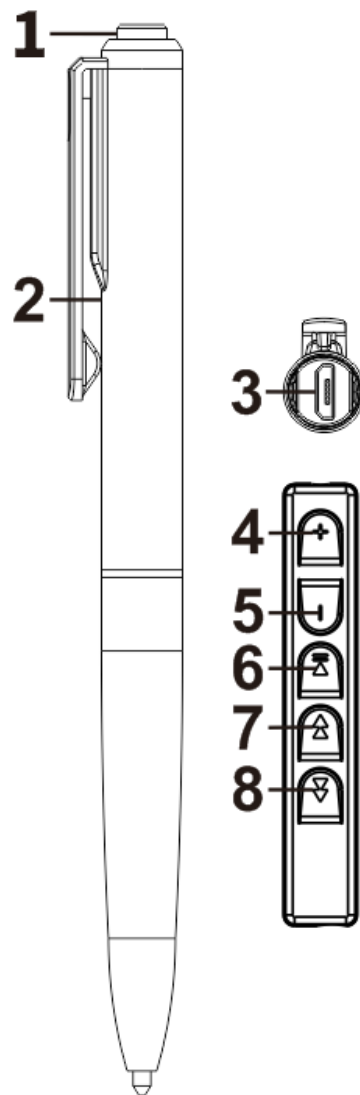
Always back up all your files in case of external error or manual failure to avoid losing your data.

### **Transmission**

Do not disconnect the recorder from the computer during data transmission process to avoid losing the data.

# Digital voice recorder

---



Function definition: (short press lasts 1s  
and long press lasts 3s)

1. Power / Record/Save button
2. Indication light
3. USB interface/Headphone jack
4. Volume+
5. Volume-

6. ▶|| **Play/Pause**
7. ◀◀ **Previous File key**
8. ▶▶ **Next File key**

### ● **Indicator Light:**

1. Record: The red light flashes for 3 times then goes out automatically.
2. Playback: Blue light flashes.
3. Charge: Red light flashes when charging and stays on red when fully charged.
4. Low battery: Purple light flashes 3 times very quickly then power off.

### ● **Turn your device on**

When the device is switched off without headphones, press the “**Power** button” to turn it on and start recording (The indicator light flashes red for 3 times then goes out)

### ● **Turn your device off**

When the device is switched on, press the “**Power** button” to save the recording file and turn off the device (Red light flashes 2 times before power off).

### ● **Record**

When the device is switched off without plugging into headphones, press the “**Power** button” to turn it on and start recording (The indication light flashes red for 3 times then goes out.)

### ● **Save audio files**

1. With the device switched on without headphones, press the “**Power** button” to save the files and turn off the device (red light flashes 2 times).

2. In recording mode, plug into your headphones to save the current recording file and locate the music file automatically.

3. Automatically save as one file in every

## Digital voice recorder

---

8 hours while recording continuously, so as not to lose any recording data.

4. While the device is of low battery, it will save the current recording file and power off automatically.

### ● **Playback using wire-control audio control adapter (Included in box)**

1. With the device switched off, plug into headphones first then press the “**Power** button” to turn it on, and the current recording file will be located (Blue light flashes).

2. Insert micro wire-control audio control adapter into female micro port of the pen

3. Press “**Play**” key to play or pause.

4. Press “◀◀” button to select the previous file, press “▶▶” button to select the next file. (Only works with the wire-control adapter)

5. Press “+” button to increase volume,

press “-” button to lower volume. (Only works with the wire-control adapter)

### ● **Playback on computer using Micro Data USB**

1. Must use micro data USB cable for computer to recognize pen.
2. Connect the micro data USB to female micro port of the pen.
3. Connect the other end into computer USB port.
4. Computer should recognize the pen automatically.
5. Open the “Record” folder and select audio file you would like to listen to.
6. Must open the audio file in “VLC Media Player”. If you do not have this program, you will have to download it for computer playback.



### ● **Bit-rate/ Voice activated mode/ Record sensitivity**

1. Connect the recorder to your computer via the USB cable, a “**USB DISK**” mark will pop up after a few seconds.

2. Double click “**USB DISK**” to select “**RECSET.txt**” and open it.

3. You will see that the first number represents the bitrate (**0 is 32kbps, 1 is 64kbps, 2 is 128kbps, 3 is 192kbps, 4 is 384kbps**), then edit the first number as you like and save it.

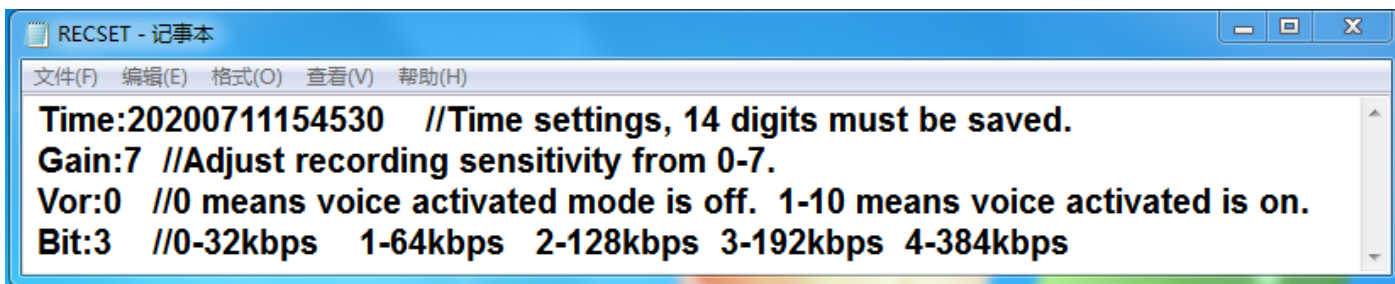
4. The second number is “**0**”, which represents turning off voice activated mode by default. Please change it to the corresponding number from **0** to **10** as you like. (*The smaller the number is, the higher the record sensitivity is, the louder the start recording sound is. On the contrary, the bigger the number is, the*

## Digital voice recorder

---

*lower the record sensitivity is , the smaller the start recording sound is.)*

5.The 3<sup>rd</sup> number represents recording sensitivity. Adjust it from **0-7**. The recording sound will be bigger if you set a larger number.



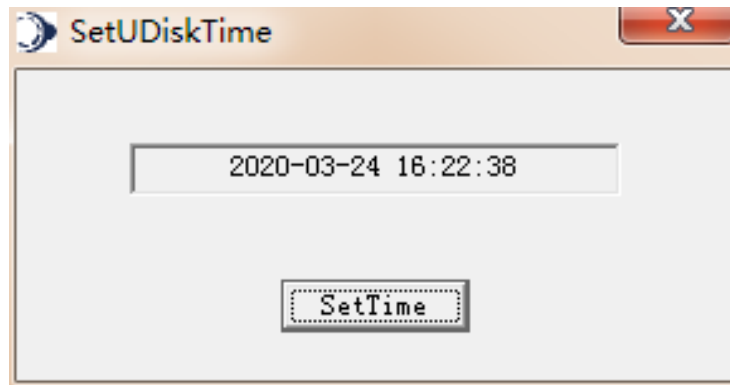
### ● Synchronize the system time

1.With the device switched off, connect the device to your computer with the USB data cable, a “**USB DISK**” mark will pop up after a few seconds.

2.Double click “**USB DISK**” to select “**Settime**” then open it.

3.Double click

“**SetDigitRecorderTm.exe**” and open it.



4. Then a small window pops up, click “**SetTime**” and confirm it to sync your system time.

5. Please remove the “USB DISK” correctly at last.

### ❖ **Hint**

If your device is standby without charging for a long time, the system time will be restored, please connect it to your computer and sync the system time again. This time is used as your recording time as a reference.

### ● **Connect to computer**

1. With the device switched off, plug the

## Digital voice recorder

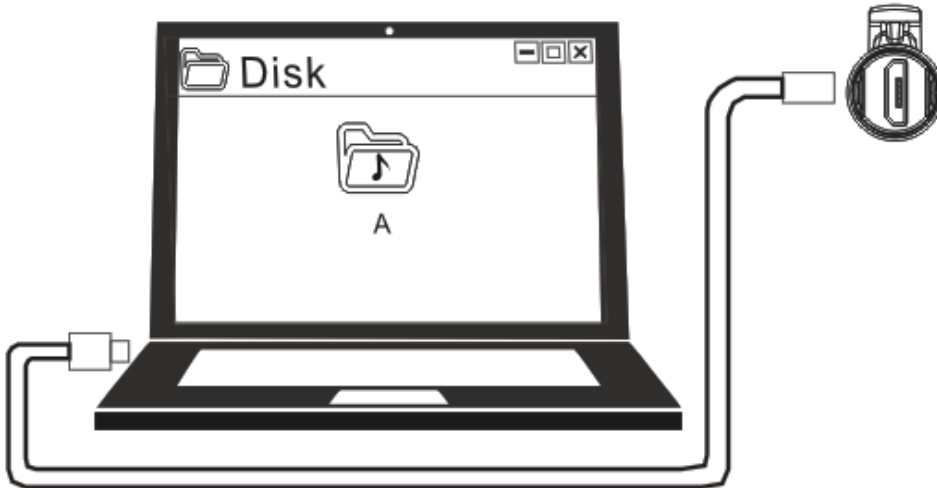
---

USB data cable into the USB interface on the device and plug the other end into one of the USB ports on your computer, a “**USB DISK**” mark will pop up after a few seconds. (MUST USE MICRO USB DATA CABLE IN ORDER FOR COMPUTER TO RECOGNIZE PEN)

2. The red light is flashing after connecting successfully. Now you can transfer your data.

### **Hint**

1. Please remove the “USB DISK” correctly to avoid losing any data.
2. Please turn off and restart your device and connect it to your computer again if the “USB DISK” mark doesn’t pop up.



### ● Charging

plug the USB data cable into the USB interface on the device and plug the other end into the USB port on your charger, the battery will be fully charged after about 2 hours. The indicator light flashes red while charging and turns to blue when fully charged.

### ● General troubleshooting

#### 1. Can't be turned on:

- ① Charge it if it has no battery.
- ② Restart your device after power off if it crashed.

## **2. Can't record:**

- ① Charge it.
- ② Delete some files in the device when your audio files is over 999pcs.
- ③ Delete some files to free up storage memory.

## **3. Can't play recording file:**

- ① Charge it.
- ② Please check if your audio file is correct.
- ③ Increase volume.

## **4. No sound with headphones:**

- ① Connect to your headphones correctly.
- ② Increase volume.

## **5. Can't find "USB DISK" when connecting to computer:**

- ① Use another USB cable
- ② Upgrade your motherboard driver
- ③ Connect to USB cable correctly
- ④ Restart your computer.

# Digital voice recorder

---

## ● Memory Usage

	Record Quality	8GB	16GB	32GB	64GB	128GB
WAV Format	384Kbps	48H	96H	192H	16 Days	32 Days
	192Kbps	94H	188H	376H	31 Days	62 Days
	128Kbps	141H	282H	564H	47 Days	94 Days
	64Kbps	280H	560H	1120H	93 Days	186 Days
	32Kbps	556H	1112H	2224H	185 Days	370 Days

**Note:** It shows the maximum recording time of the device's storage capacity, not the time that the battery can continuously record. (For reference only, actual test may have deviation)

## ● Specification

Size	142*11mm	
USB Interface	USB 2.0 High Speed	
Memory Capacity	8GB – 128GB	
Battery Capacity	3.7V/PL330855	
Record Format	WAV	192Kbps
Working	-5 - 40 °C	
Recording Sample	48KHZ	

## Digital voice recorder

<b>Record Method</b>	<b>One key to record / save</b>
<b>Support System</b>	<b>Windows/Mac</b>
<b>Headphone Output</b>	<b>Stereo</b>
<b>Music Format</b>	<b>MP3/WMA/WAV</b>
<b>Net Weight</b>	<b>37g (Specific to the actual product)</b>

## **WARNINGS**

**▲** Never disassemble or modify your recorder for any reason. Doing so may cause the recorder to malfunction or catch fire. Damage to your device voids your manufacturer's warranty.

**▲** Do not allow your device to get wet; liquids can cause serious damage. Water damage to your device voids your manufacturer's warranty. Avoid exposing your device to very cold or very hot temperatures.

## **WARRANTY**

**One-Year Performance Warranty: We**



## Digital voice recorder

---

provide a one-year guarantee that all of our products will meet stated performance specifications under normal use and proper care.

### **One-Year Materials/Craftsmanship**

**Warranty:** We provide a one-year guarantee that all of our products will be free from defects in materials and workmanship, under normal use and proper handling.

**For additional technical support,** please email our support team @  
info@tctecinnovation.com