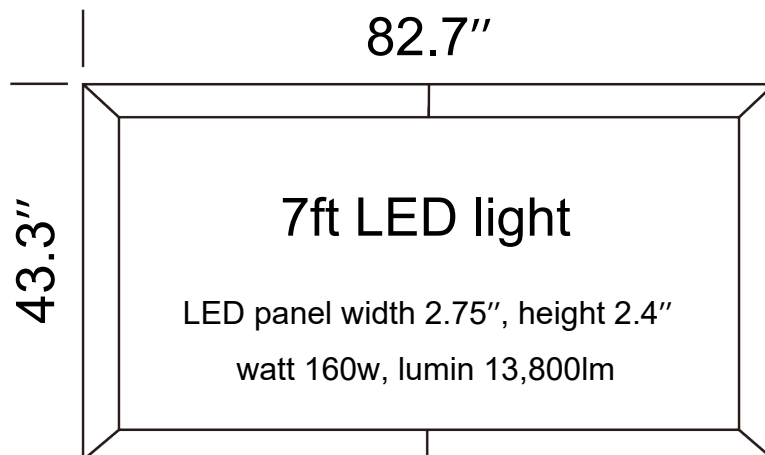
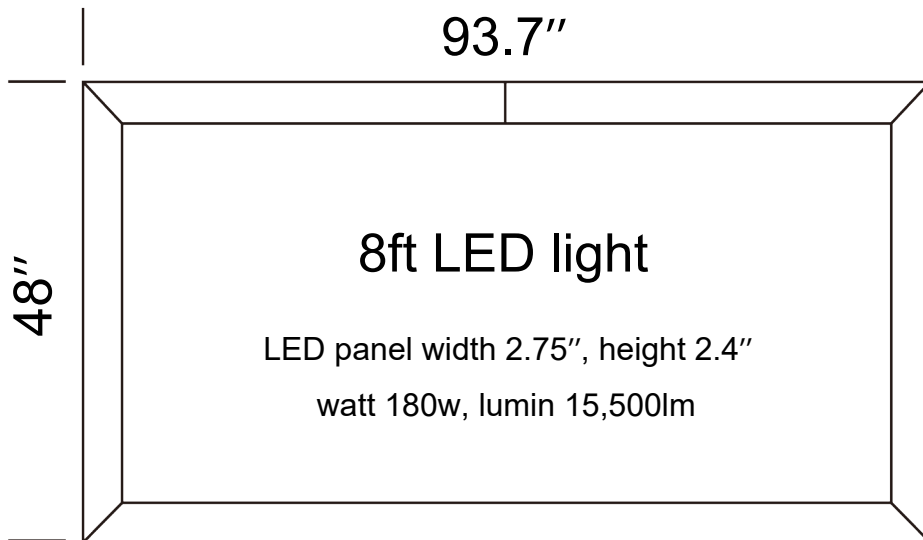
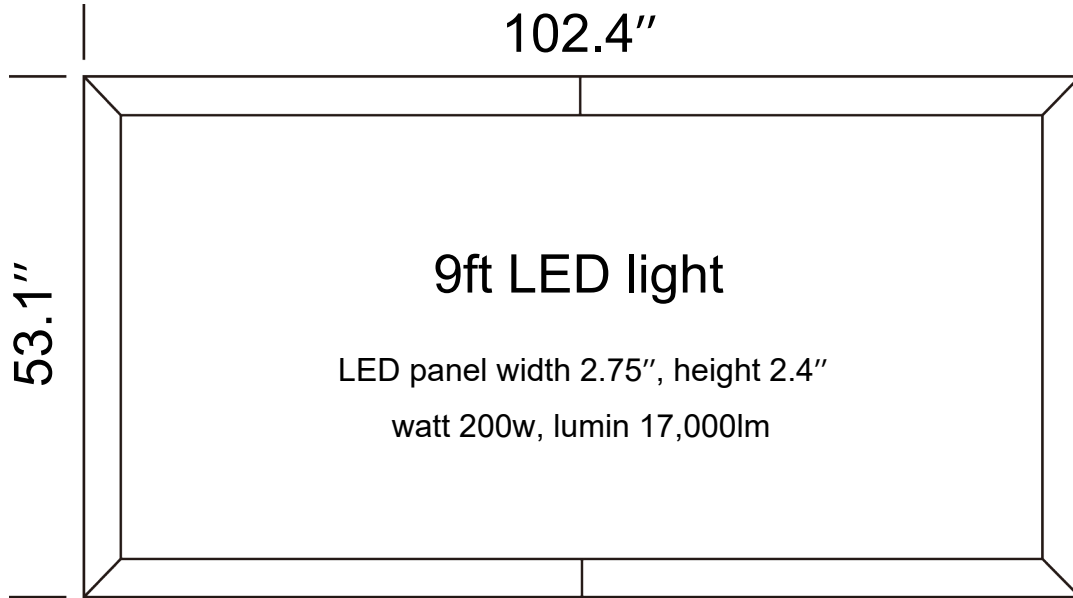


# Perimeter Billiard Lights Instruction Manual

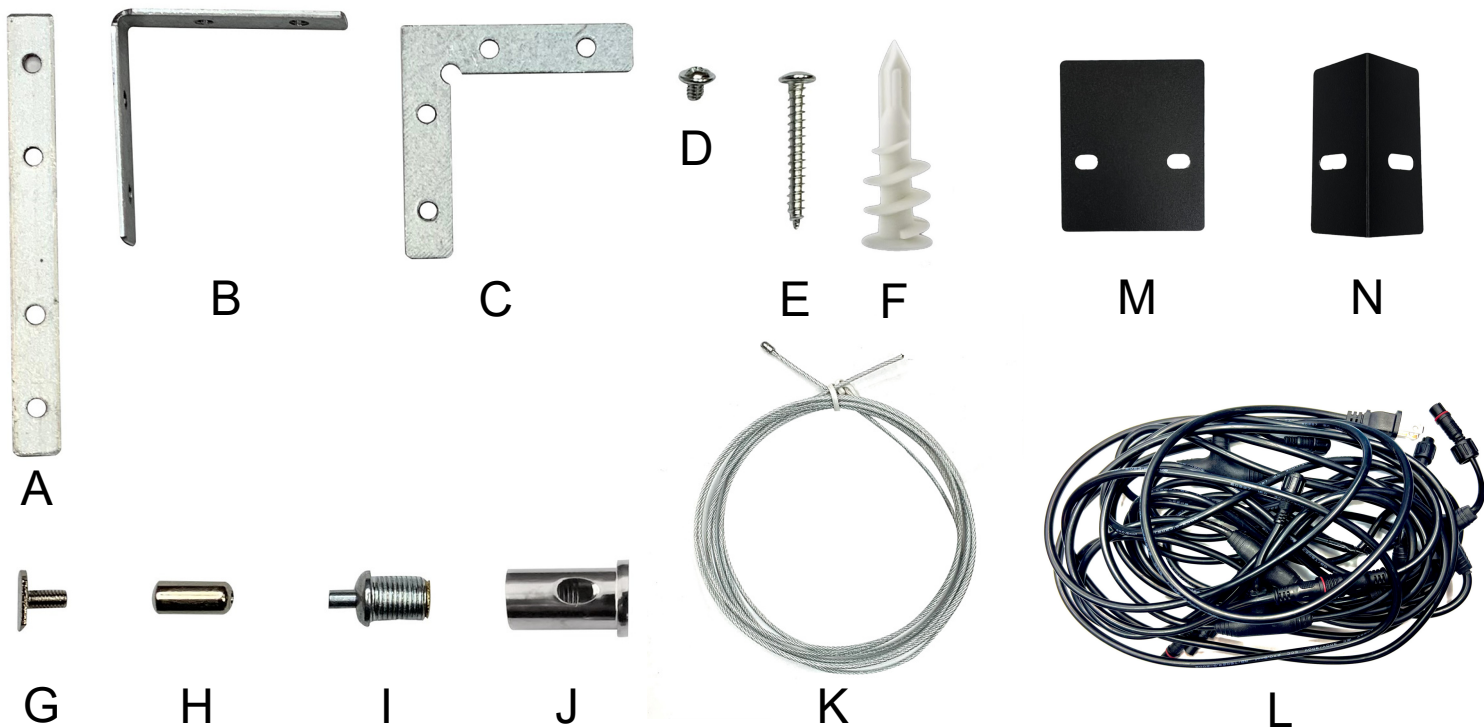


[www.PerimeterBilliardLights.com](http://www.PerimeterBilliardLights.com)

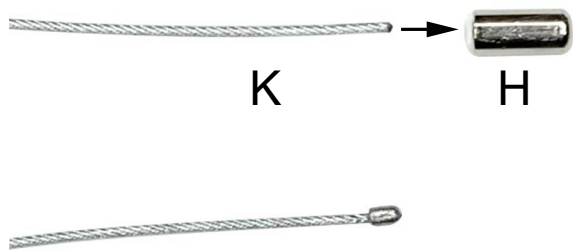
# Dimension



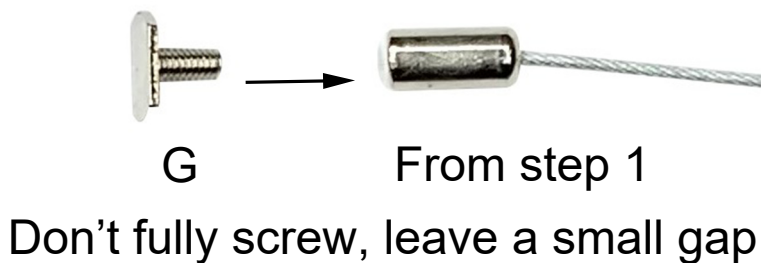
# Parts



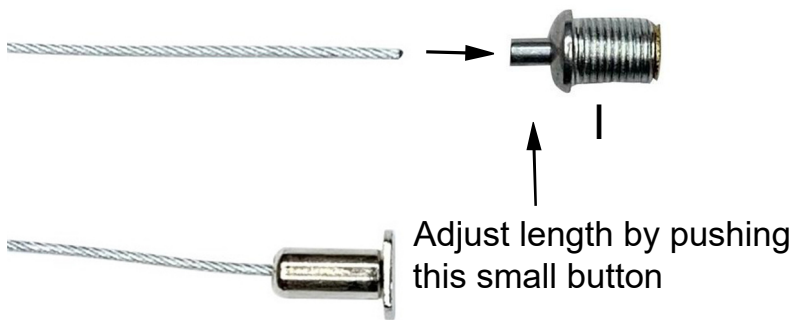
## Step 1



## Step 2

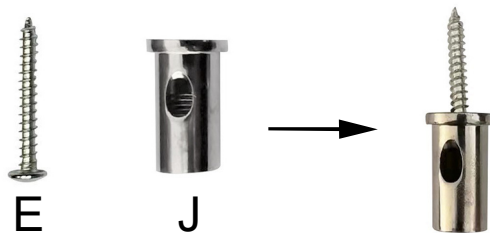


## Step 3



\*Suggest light height: 75-90 inches from the floor.

## Step 4



Locate (4) sturdy ceiling joists over each LONG side, right above table rails, then use screw E attach Part J to the ceiling.  
\*Use part F as drywall anchor if there is no available sturdy joist.

## Step 5



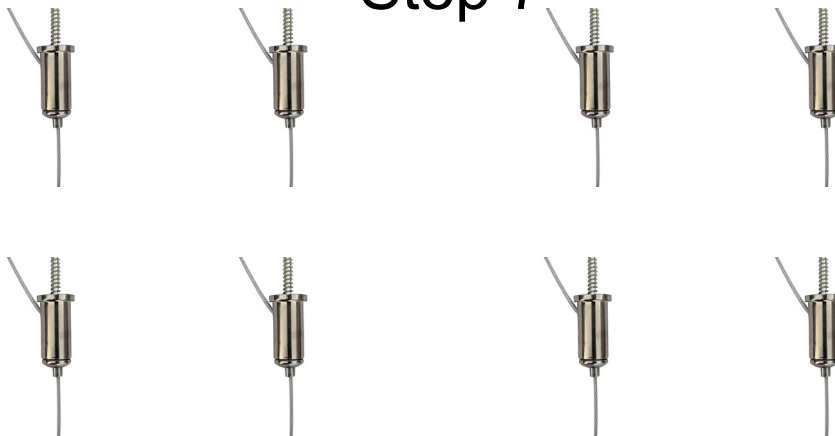
Connect suspension cable from step 3 to the ceiling.

## Step 6

Repeat step 1 to step 5 up to 8 suspension cables.

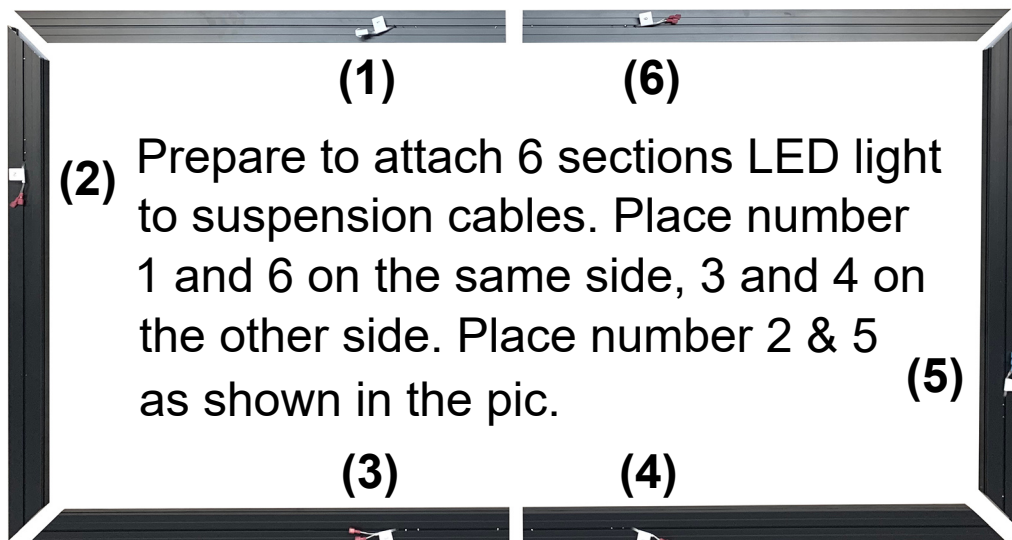
Final result should look like below.

## Step 7

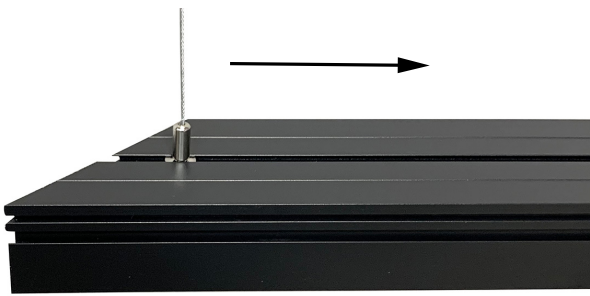


Total 8 suspension cables, 4 on each long side

## Step 8



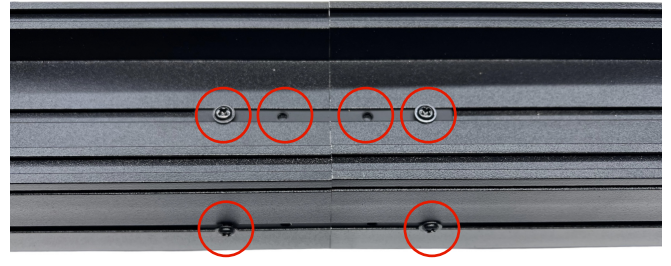
## Step 9



Slide the end of suspension cables into the top of light.

\*Install two long sides first.

## Step 10



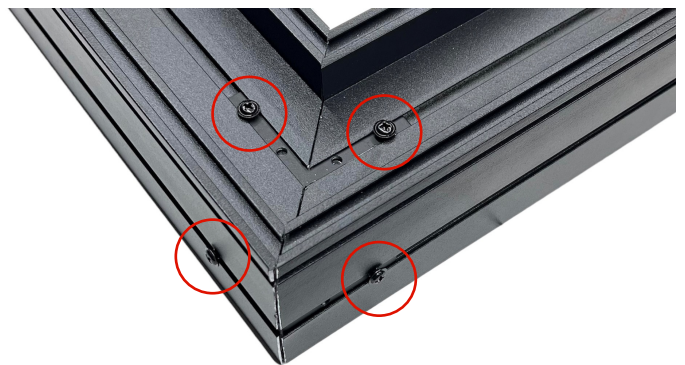
Use part Ax3 and part Dx8 to connect section 1&6.

## Step 11



Use part Mx2 and part Dx4 to cover the joint on both sides.  
Repeat step 10 and 11 to connect section 3&4.

## Step 12



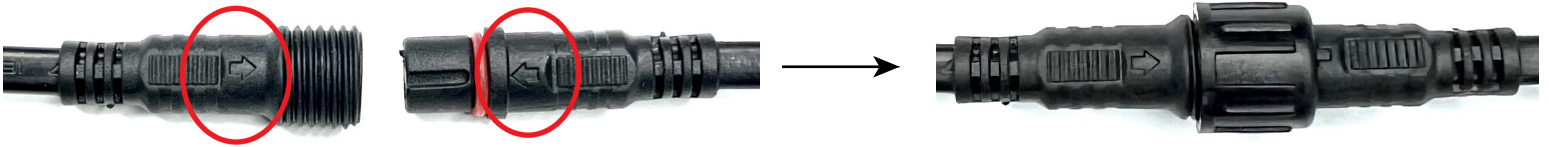
Once finished two Long sides, connect two short sides to the long side.  
Use part Bx2, Cx1, and Dx6 to connect each joint on the corner.

## Step 13



Use part Nx2 and part Dx4 to cover both inside corner and outside corner.

## Step 14



Use the electrical cable (part L) to wire each LED light, in the order of number 1 to 6 with **ANTI-CLOCK** direction. (make sure align connector)

## Step 15

Once all 6 sections are connected, place the electrical cable nicely inside the frame to make sure it is not visible from the side.

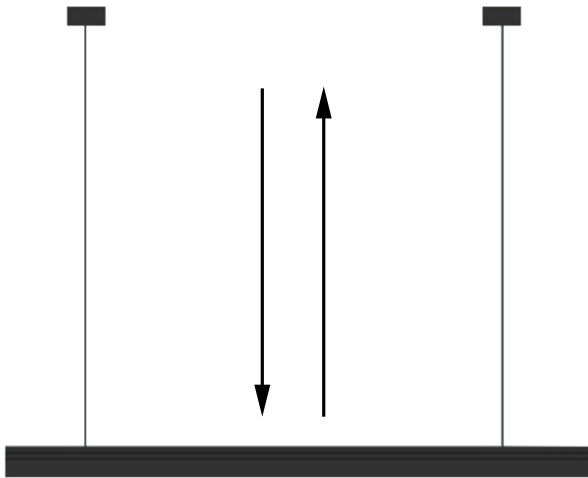
(top view)



(side view)



## Step 16



Adjust final height by using level tool.

Recommend light height is 75-90 inches from floor, or 45-60 inches from the table cloth.

## Step 17



### **For non-dimmable model:**

You can either plug the light into an outlet, or remove the 2-pin plug to hardwire it with a wall switch.

If you are going to use the plug, and don't have a switch for the outlet, we highly recommend to get a remote outlet to turn on/off the light.

\*The light can NOT be compatible with a dimmer switch.

**For dimmable light, please check Step 18.**

# Step 18

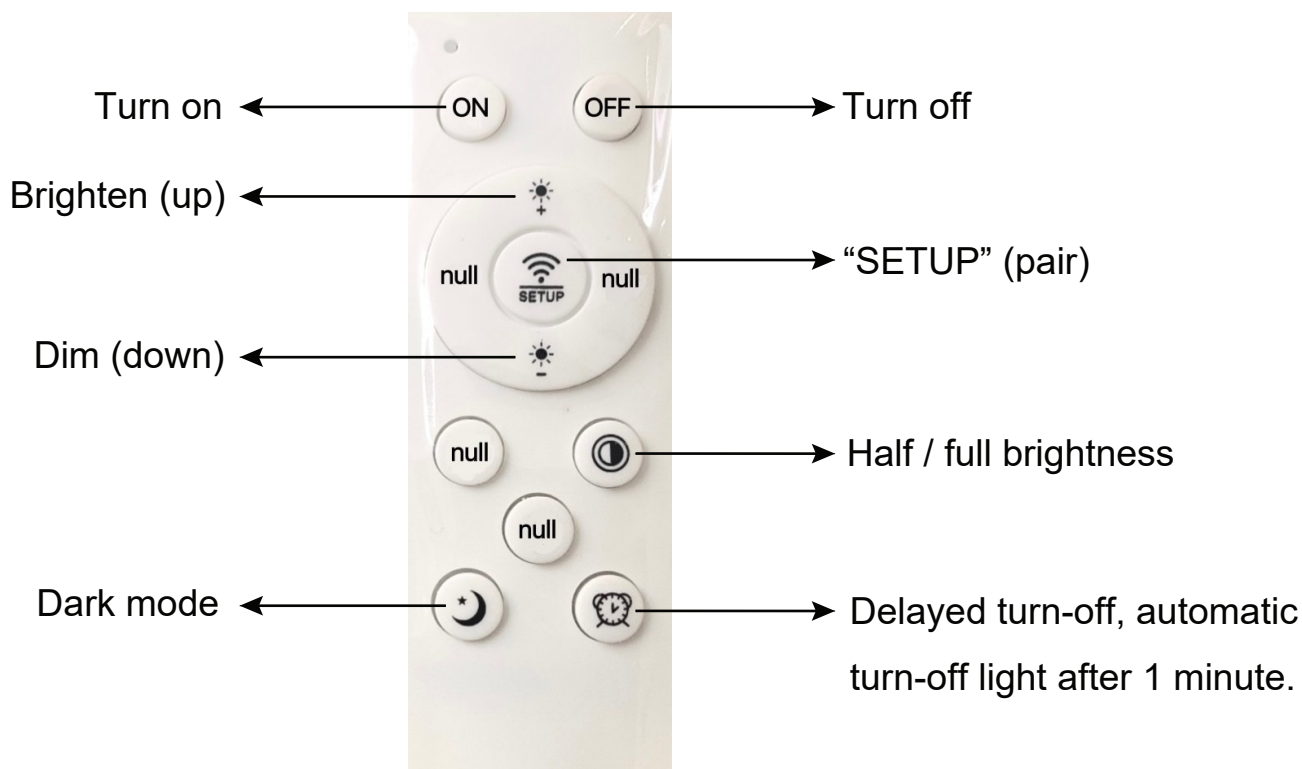
## For dimmable model:

You can either plug the light into an outlet or hardwire it.

\*The light can NOT be compatible with a dimmer switch. It can only be dimmed with the remote.

## Pair the remote with light:

After powering on, you have 5 seconds to pair the remote. Quickly press "SETUP" button 3 times within 5 seconds, then the light will flash twice, which means paired successfully.



\*(4) "NULL" buttons are not functional.

Please contact us at [sales@perimeterbilliardlights.com](mailto:sales@perimeterbilliardlights.com) for any questions.