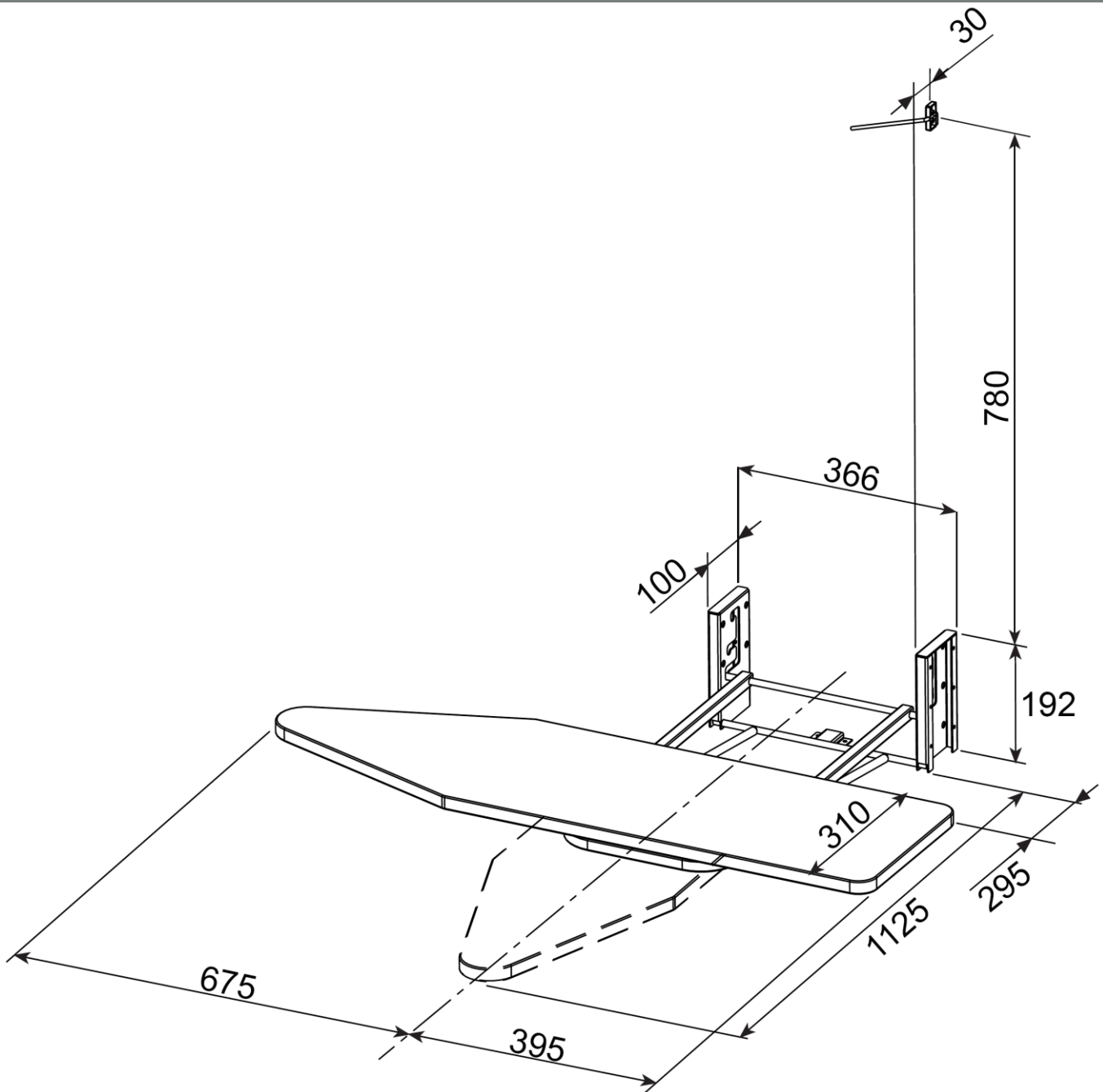
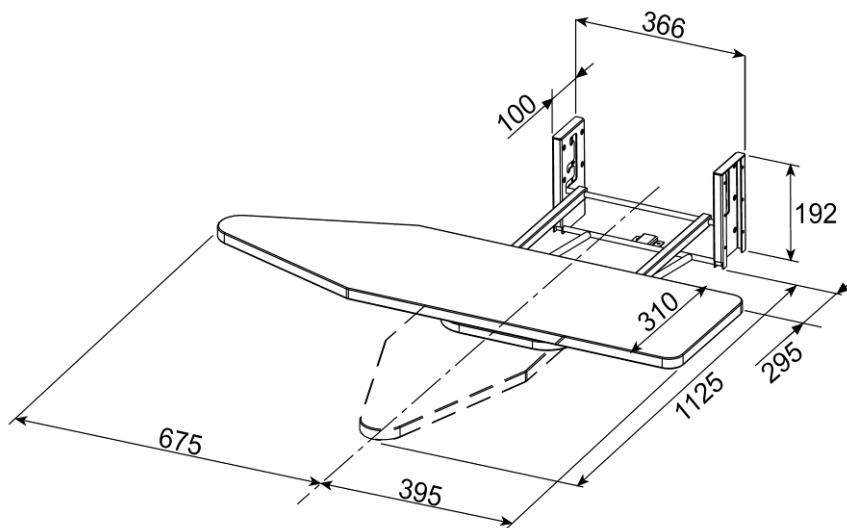


Description: **ROBINHOOD IRONING CENTRE KITSET**
Model Numbers: **ICKIT**



*All dimensions in mm
Model may vary slightly from images pictured*

Overview



Pre-installation

Thank you for purchasing a quality Robinhood ironing centre kitset.

Important:

- Please read the entire instructions before installing the ironing centre.
- Should you be fitting a door to the enclosure holding this product, please be mindful of the position of all door furniture (hinges, handles etc). Specifically ensure the board will operate without obstruction.
- Do not place EXCESSIVE WEIGHT (weight should not exceed 15kg) on the ironing board when opened, as it is designed to only accept normal ironing use only.
- Allow iron to cool before storing in the cabinet.
- Do not remove the board retainer.
- The product is not intended for use by small children or infirm persons without supervision.

Contents of packaging:

- 1 x swivel ironing board
- 2 x mounting brackets
- 1 x board retainer
- 1 x board cover
- 1 x backstop
- 1 x packet of fasteners
 - 2 x Board retainer screws
 - 16 x Ironing board screws

Typical equipment required:

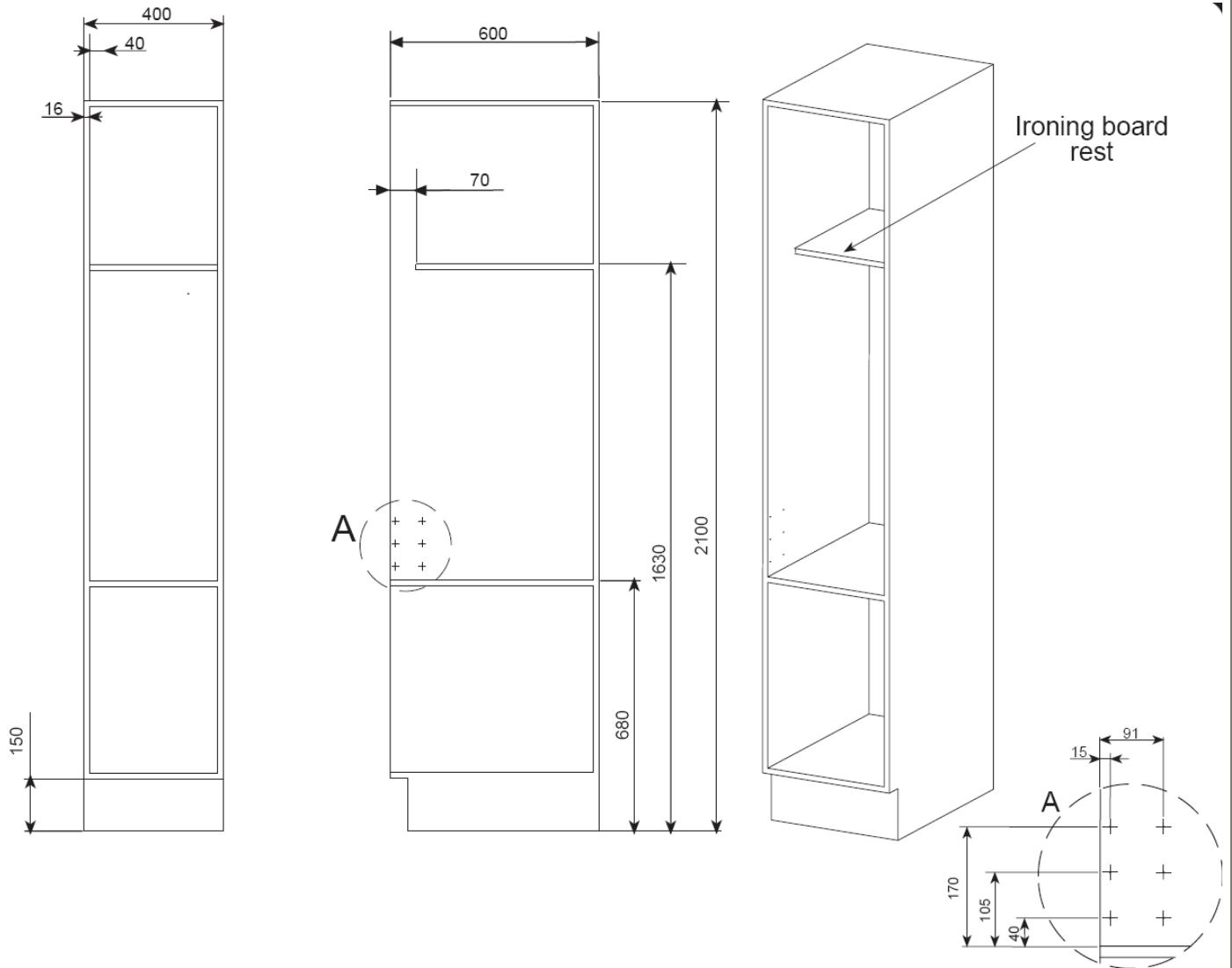
- electric drill
- screwdriver
- tape measure
- spirit level

Cabinet dimensions

This Ironing centre is designed to fit a 400mm wide (368mm internal) kitchen/laundry cabinet. Please ensure your cabinet fits the following dimensions as shown below.

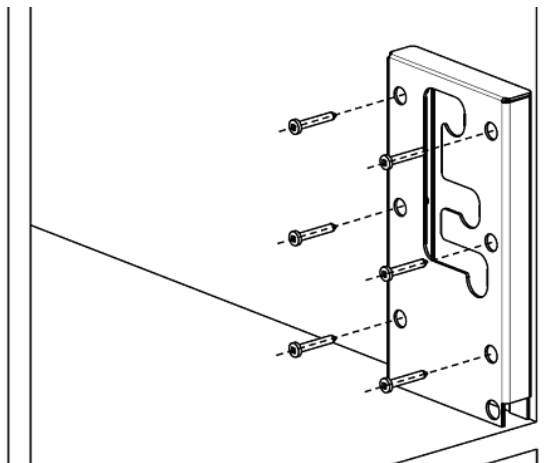
Please take care when pre-drilling holes not to drill all the way through or damage the cabinet. The screws supplied with all kits are designed for **16mm thick** cabinet panels. Different screws may be needed if the cabinet panels are less than 16mm thick.

An Ironing board rest (as shown below) needs to be installed at the given height, to support the ironing board when it is in the upright position.

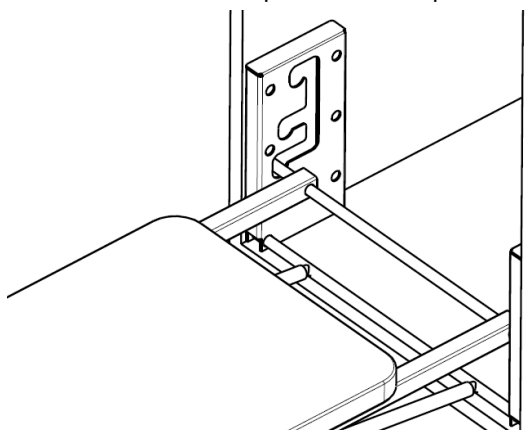


Installation position

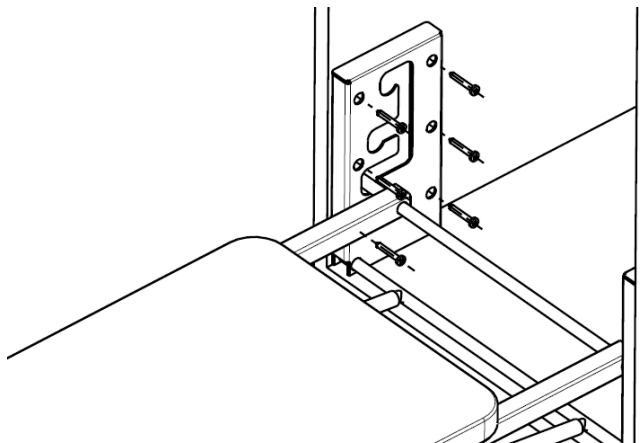
1. Pre-drill holes (2mm diameter) in the cabinet on both sides for the screws supplied as per diagram 'A' (previous page).
2. Attach one height adjustment bracket to the cabinet using the screws supplied.



3. Insert the ironing board pivot rod and pivot stop into the attached bracket. While supporting the ironing board attach the other bracket to both the pivot rod and pivot stop.



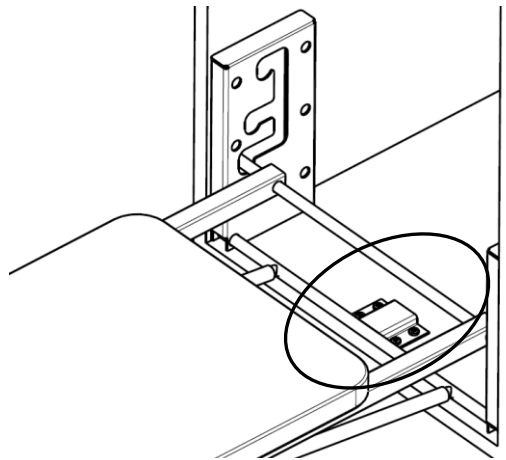
4. Move the board into position so the free bracket lines up with the pre-drilled holes and secure using the screws supplied.



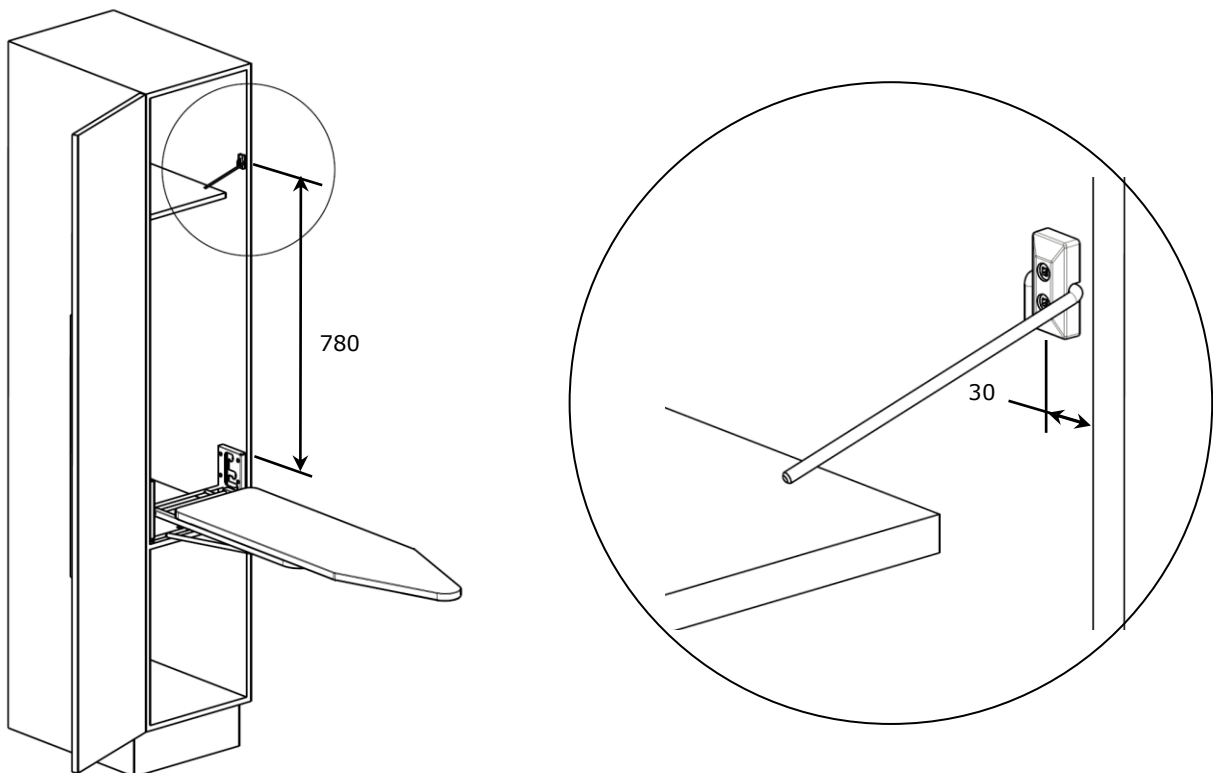
Installation

5. Position the back stop behind the pivot stop in the middle of the cabinet and mark out the hole position. Drill 4 holes, 2mm diameter for the screws supplied. Attach the backstop (see diagram below).

NOTE: Failure to install the backstop will weaken the product



6. Attach board retainer using the two screws supplied. The board retainer is to be positioned as shown in the diagram below (30mm from the front of the cabinet to the centre of plastic retainer bracket; 780mm from the top of height adjustment bracket to the centre of the plastic retainer bracket).

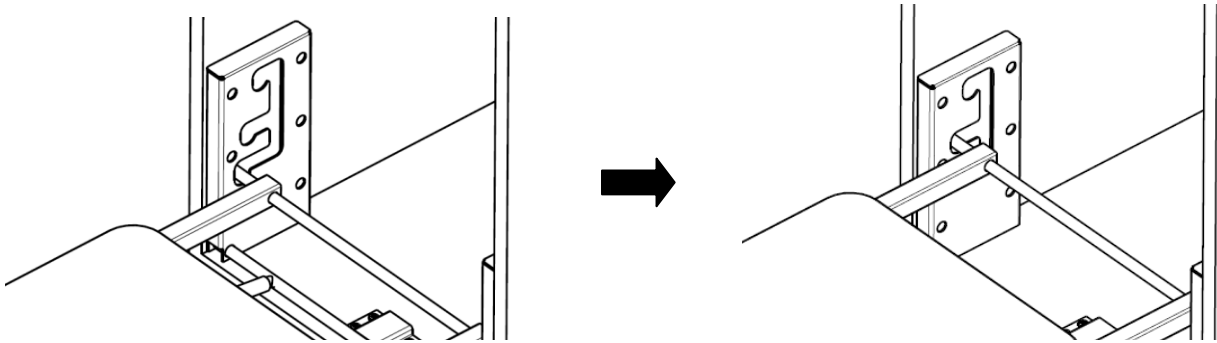


7. Fit the board cover with the silver/grey coating face up.

Operating instructions

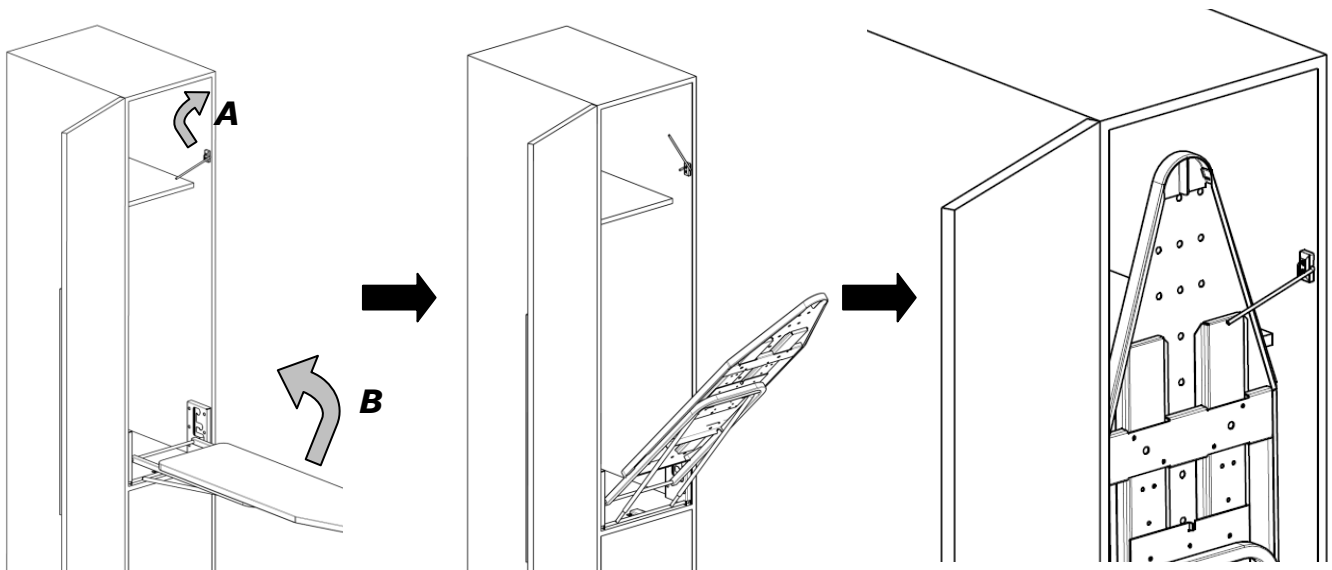
The ironing board can swivel 180° and has three working heights. To adjust the board:

1. With the board in the horizontal position, hold the board with one hand near the base (not by the nose) and support the pivot rod with the other hand.
2. Adjust the ironing board to the desired position by lifting the board by the pivot rod (not by the nose) and moving it to the required height.



Storing the Ironing board

To store the Ironing board; lift board retainer **A**, lift ironing board **B** until it rests against the ironing board rest and lower the board retainer.



Cleaning and maintenance

General Maintenance

The ironing board comes fitted with a heat resistance cover. To avoid damage to the material Please **do not** wash the cover.

The laminated surface of the unit may be wiped clean with non abrasive household cleaner.

For any other problems please call help line on NZ 0800 760 667 or AUS 1800 648 556

Important safety information

- This appliance is not intended for use by persons (including children) with reduced physical, sensory or mental capabilities, or lack of experience and knowledge, unless they have been given supervision or instruction concerning use of the appliance by a person responsible for their safety.
- Young children should be supervised to ensure that they do not play with the appliance.
- Should you be fitting a door to the enclosure holding this product, please be mindful of the position of all door furniture (hinges, handles etc). Specifically ensure the board will operate without obstruction.
- You must read the details concerning the method of cleaning.
- Do not place EXCESSIVE WEIGHT (weight should not exceed 15kg) on the ironing board when opened, as it is designed to only accept normal ironing use only.
- Allow iron to cool down before storing in the cabinet.
- Do not remove the board retainer.

Warranty Certificate (New Zealand)

Terms and Conditions

The following conditions apply in respect of the warranty given in this certificate:

1. Parbury Pty Limited ("Parbury") warrants the following Robinhood products against manufacturing defects and faulty materials, under normal use and subject to the exclusions in this certificate, for a period of:
Rangehood – 24 months from date of original purchase for domestic use.
Uniduct – 12 months from date of original purchase for domestic use.
Ironing centre – 12 months from date of original purchase for domestic use.
Waste Disposal – 24 months from date of original purchase for domestic use.
"Original purchase", when used in this certificate, means purchase by the customer directly from Parbury or one of its approved suppliers.
2. This warranty is limited to the repair or replacement, at our option, within the warranty period of any component part which we at our discretion determines to contain faulty materials or a manufacturing defect in breach of this warranty. This warranty is subject to terms and conditions set out in this certificate.
3. The warranty only applies within New Zealand.
4. The customer must produce the original invoice or other purchase documentation as proof of the original purchase date.

Warranty exclusions

1. The warranty does not apply where, in Parbury's opinion:
The defect is caused by misuse, wear and tear, dirt, fire or accidental damage.
The product has been repaired or serviced by an unauthorised person.
The product was not installed in accordance with our instructions.
The product was purchased overseas or was not designed for use in New Zealand.
The product was not used, cleaned or cared for in accordance with our instructions.
The product was used outdoors.
All Robinhood rangehoods are suitable for indoor use only, and not suitable over BBQs or charcoal cookers designed for outdoor use.
2. In addition, this warranty does not extend to damage or defects which in our opinion, directly or indirectly arise from or
Exposing the product to acidic or corrosive materials or chemicals such as dyes, solvents, denture cleaner or acetone;
Using inappropriate household cleaning products such as abrasive cream or powder cleansers, furniture polish, bleach, mentholated spirits, drain cleaners, sugar soap, metal pads and strongly alkaline or acidic cleaners;
Heat damage, including from washing the product at high temperatures;
Impact or mishandling the product, including the impact caused by objects scraped along, thrown or dropped on the surface or excessive weight being placed on the product;
Structural or support changes in or affecting the building or the application where the product has been installed;
Failure to clean or maintain the product as recommended; or
Any other causes specified in the product information as being excluded from this warranty.
3. Variations with the colour or gloss within the product or any ageing or fading of colour, shine or gloss level over time are not covered by this warranty. The warranty does not cover visual imperfections or blemishes in the surface and edges of product that were not brought to your supplier's attention at the time you inspected the product.
4. Costs incurred on installation or removal of a product, or any reinstallation of a product, or any associated costs, are not covered by this warranty.
5. Parbury will not be liable for consequential or indirect loss or damage whatsoever and however arising out of or in with the supply, performance or removal of the product, including (but not limited to) loss of profit, loss of revenue, loss of contract, loss of goodwill or increased cost of workings, even if due to the negligence of Parbury or any of its approved suppliers, employees or agents.
6. Charcoal filters and light bulbs are not covered by this warranty
7. This warranty and the statements contained in this certificate or other documents given to you do not exclude, restrict or modify the application of any term implied into this warranty by statute, provided that (to the extent any statutory permits Parbury to limit its liability for a breach of an implied condition or warranty) Parbury's liability for such breach is to the payment of the cost of replacing the product, repairing the product or acquiring an equivalent product.
8. Subject to clause 5, our obligations under this warranty are limited to those set out in this certificate, and this warranty is expressly instead of all other warranties, express or implied, including any implied warranty of merchantability or fitness particular purpose and notwithstanding any course of dealing between the parties or custom and usage in trade to the contrary.

Should warranty service be required, please contact us:

Free Phone: 1800 648 556

Free Fax: 1800 628 577

Email: enquiries@robinhood.co.nz

Website: www.robinhood.co.nz

Terms and conditions are subject to change without notice

Warranty Certificate (Australia)

Terms and Conditions

The following conditions apply in respect of the warranty given in this certificate:

1. Parbury Pty Limited ("Parbury") warrants the following Robinhood products against manufacturing defects and faulty materials, under normal use and subject to the exclusions in this certificate, for a period of:
Rangehood - 24 months from date of original purchase for domestic use.
Uniduct - 12 months from date of original purchase for domestic use.
Ironing centre - 12 months from date of original purchase for domestic use.
"Original purchase", when used in this certificate, means purchase by the customer directly from Parbury or one of its approved suppliers.
2. This warranty is limited to the repair or replacement, at our option, within the warranty period of any component part which we at our discretion determines to contain faulty materials or a manufacturing defect in breach of this warranty. This warranty is subject to terms and conditions set out in this certificate.
3. The warranty only applies within the Commonwealth of Australia.
4. The customer must produce the original invoice or other purchase documentation as proof of the original purchase date.

Warranty exclusions

1. The warranty does not apply where, in Parbury's opinion:
The defect is caused by misuse, wear and tear, dirt, fire or accidental damage.
The product has been repaired or serviced by an unauthorised person.
The product was not installed in accordance with our instructions.
The product was purchased overseas or was not designed for use in Australia.
The product was not used, cleaned or cared for in accordance with our instructions.
The product was used outdoors.
All Robinhood rangehoods are suitable for indoor use only, and not suitable over BBQs or charcoal cookers designed for outdoor use.
2. In addition, this warranty does not extend to damage or defects which in our opinion, directly or indirectly arise from or are due to:
Exposing the product to acidic or corrosive materials or chemicals such as dyes, solvents, denture cleaner or acetone;
Using inappropriate household cleaning products such as abrasive cream or powder cleansers, furniture polish, bleach, mentholated spirits, drain cleaners, sugar soap, metal pads and strongly alkaline or acidic cleaners;
Heat damage, including from washing the product at high temperatures;
Impact or mishandling the product, including the impact caused by objects scraped along, thrown or dropped on the product surface or excessive weight being placed on the product;
Structural or support changes in or affecting the building or the application where the product has been installed;
Failure to clean or maintain the product as recommended; or
Any other causes specified in the product information as being excluded from this warranty.
3. Variations with the colour or gloss within the product or any ageing or fading of colour, shine or gloss level over time are not covered by this warranty. The warranty does not cover visual imperfections or blemishes in the surface and edges of the product that were not brought to your supplier's attention at the time you inspected the product.
4. Costs incurred on installation or removal of a product, or any reinstallation of a product, or any associated costs, are not covered by this warranty.
5. Parbury will not be liable for consequential or indirect loss or damage whatsoever and however arising out of or in connection with the supply, performance or removal of the product, including (but not limited to) loss of profit, loss of revenue, loss of contract, loss of goodwill or increased cost of workings, even if due to the negligence of Parbury or any of its approved suppliers, employees or agents.
6. Charcoal filters and light bulbs are not covered by this warranty
7. This warranty and the statements contained in this certificate or other documents given to you do not exclude, restrict or modify the application of any term implied into this warranty by statute, provided that (to the extent any statutory provision permits Parbury to limit its liability for a breach of an implied condition or warranty) our liability for such breach is limited to the payment of the cost of replacing the product, repairing the product or acquiring an equivalent product.
8. Subject to clause 5, our obligations under this warranty are limited to those set out in this certificate, and this warranty is expressly instead of all other warranties, express or implied, including any implied warranty of merchantability or fitness for a particular purpose and notwithstanding any course of dealing between the parties or custom and usage in trade to the contrary.

Should warranty service be required, please contact us:

Free Phone: 1800 648 556

Free Fax: 1800 628 577

Email: enquiries@robinhood.com.au

Website: www.robinhood.com.au

Terms and conditions are subject to change without notice