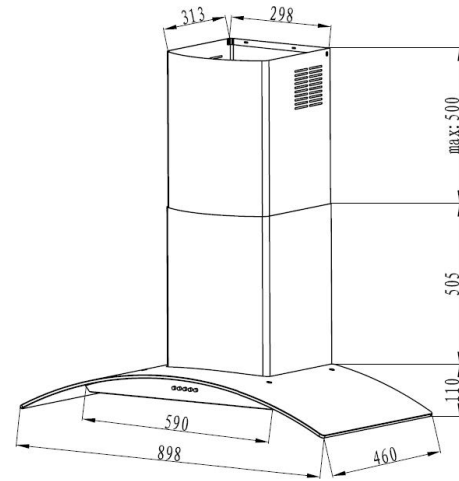


## Description

Robinhood 90cm Curved Glass Wall Canopy Rangehood – RWV3CL90G



RWV3CL90G



## Features and benefits

### Max Motor Performance

750 m3/hr

### Stainless steel finish

Sleek, durable and with a modern appearance

### Washable filters

Filters are removable and easy to maintain and clean

## Specifications

### Aesthetics

|              |                                  |
|--------------|----------------------------------|
| Type         | Canopy                           |
| Size         | 90cm                             |
| Lighting     | 2 x 1W LED                       |
| Finish       | Stainless steel and curved glass |
| Filters      | 2 x aluminium mesh filters.      |
| Control Type | Push button                      |

### Motor/Electrical

|                        |            |
|------------------------|------------|
| Speeds                 | 3          |
| Number of motors       | 1          |
| Watts of motor         | 260W       |
| Maximum current        | 10amps     |
| Ducted or Recirculated | Both       |
| Connection             | 240V, 50Hz |

### Functionality

|                   |                          |
|-------------------|--------------------------|
| Installation Type | Wall mounted             |
| Warranty          | 5 years parts and labour |

### Dimensions (mm)

|                          |                         |
|--------------------------|-------------------------|
| Dimensions               | 898w x 615-1115h x 460d |
| Flue Diameter            | 150mm                   |
| Optional Extension Flues | 2202 (10ft)             |
| Weight                   | 35kg                    |