

Description

ROBINHOOD COMPACT CANOPY RANGEHOOD 60CM
RCA3AL6WH (White); RCA3AL6SS (Stainless Steel)



RCA3AL6WH



RCA3AL6SS

Key Features

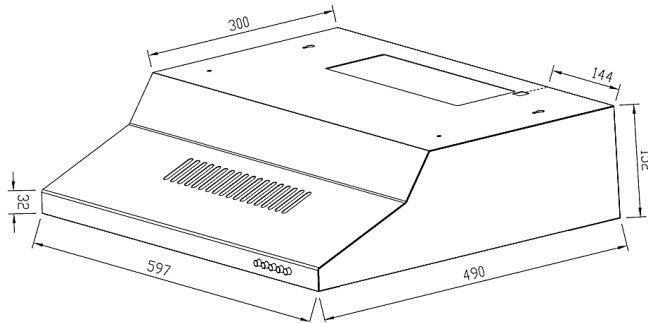
Max Motor Performance
 375 m³/hr

Power Levels
 3

Control Type
 Push Buttons

Lighting
 1 x 1.5W LED

Venting Type
 To be ducted from the rear or recirculated



Specifications

Voltage	240V
Frequency	50HZ
Motor Type	AC motor
Max Motor Performance	375m ³ /hr
Lighting	1*1.5W square LED
Total Power	90W
Controls	Push buttons
Speed Levels	3
Filters	2 x 3 layers Aluminum filters
Charcoal Filters	Optional, Item code 2534
Rear Ducting Dimensions	285*75mm
Rear Ducting Kit	Optional, item code RHURCADUCTKIT
Power Cord Length	1.5m
Product Dimensions (WxDxH)	597 x 490 x 152mm
Packaging Dimensions (WxDxH)	613 x 515 x 175mm
Gross/ Net Weight	7.2/6.7 Kg

Air Flow & Noise Level*		
Power Level	Air Flow (m ³ /hr) (IEC 61591)	Noise Level (dB) (IEC 60704-2-13)
1	170	45
2	240	52
3	315	60

*Air Flow & Noise Level testing is conducted in a controlled lab environment as per the IEC standards.