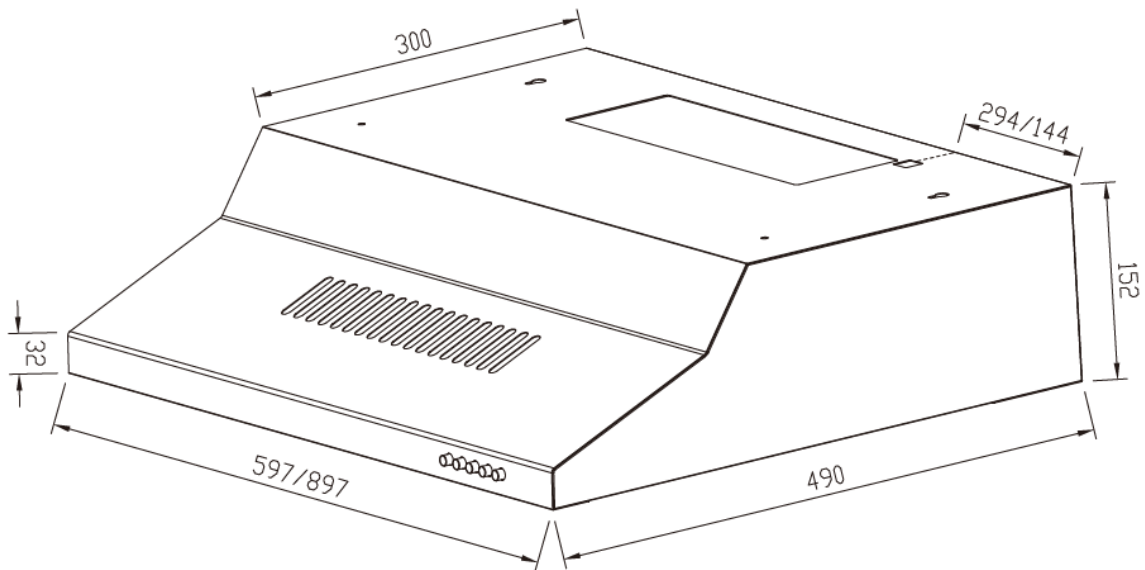


Description : Robinhood Compact Canopy

Model Number : RCA3AL6WH (60cm), RCA3AL6SS (60cm), RCA3AL9WH (90cm), RCA3AL9SS (90cm)



*All dimensions are in mm.
Actual unit may vary from above model pictured

Contents

Congratulations!

Thank you for choosing one of our appliances. Before you use the appliance, we strongly recommend that you read through the whole user manual which provides important safety instructions and description of the product and the proper use of its functions.

To avoid the ever-present risks involved with using an electrical appliance it is vital that the oven is installed correctly and that you read the safety instructions carefully to avoid misuse and hazards. It is important that you retain these instructions and your proof of purchase along with any other important documents about this product for future reference.

Due to continual product development, Shriro reserves the right to alter specifications or appearances without notice.

Important Safety Instructions	1
Appliance Details	2
Installation Instructions	3
Installation Instructions	4
Installation Instructions	5
Operation and Cleaning	6
Warranty Certificate (New Zealand).....	7
Warranty Certificate (Australia)	8

DISPOSAL INFORMATION

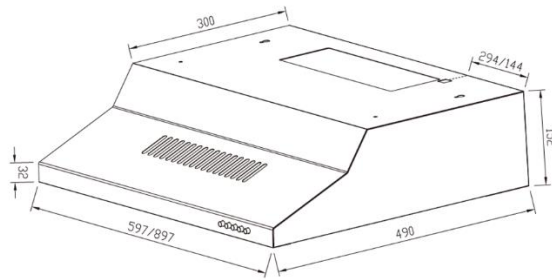
- Most of the packing materials are recyclable. Please dispose of these materials through your local recycling depot or by placing them in appropriate collection containers.
- If you wish to discard this product, please contact your local authorities and ask for the correct method of disposal.

Important Safety Instructions

IMPORTANT: Read the assembly instruction section and safety precautions of this booklet carefully before removing the contents of this carton.

1. All electrical work must be done by a registered electrician in accordance with local and national electrical codes as applicable. For your safety, this product must be earthed.
2. If the supply cord of this equipment is damaged, it must only be replaced by the manufacturer or its service agent or a similarly qualified person in order to avoid a hazard.
3. This rangehood is designed for indoor use only and must be in a dry location.
4. Disconnect the power supply before cleaning or maintenance.
5. This appliance is not intended for use by persons with reduced physical, sensory or mental capabilities or lack of experience and knowledge if they have been given supervision or instruction concerning use of the appliance in a safe way and understand the hazards involved. Children shall not play with the appliance. Cleaning and user maintenance shall not be made by children without supervision.
6. Young children should be supervised to ensure that they do not play with the appliance.
7. There shall be adequate ventilation of the room when the rangehood is used at the same time as appliances burning gas or other fuels.
8. There is a fire risk if cleaning is not carried out in accordance with the instructions. You must read the details concerning the method and frequency of cleaning.
9. Do not flambe under the rangehood.
10. Exhaust air must not be discharged into an existing flue which is used for exhausting fumes from appliances burning gas or other fuels.
11. The minimum distance between the hob surface and the lowest part of the rangehood is 600mm.
12. Attention should be given to ensure that any applicable regulations concerning the discharge of exhaust air is fulfilled.
13. **CAUTION:** Accessible parts may become hot when used with cooking appliances.
14. Range hoods and other cooking fume extractors may adversely affect the safe operation of appliance burning gas or other fuels (including those in other rooms) due to back flow of combustion gases. These gases can potentially result in carbon monoxide poisoning. After installation of a range hood or other cooking fume extractor, the operation of open flued gas appliances should be tested by a competent person to ensure that back of combustion gases does not occur.
15. The power plug must be accessible after installation.
16. **WARNING:** Failure to install the screws or fixing device in accordance with these instructions may result in electrical hazards.

Appliance Details



	RCA3AL6WH, RCA3AL6SS, RCA3AL9WH and RCA3AL9SS
Voltage & Frequency:	230-240V 50Hz
Lamp Max:	1x1.5W LED light
Rated Input Power:	90W

General Information

Before installing and operating the rangehood, carefully read the following important information regarding installation safety and maintenance. Keep this information booklet accessible for further consultations.

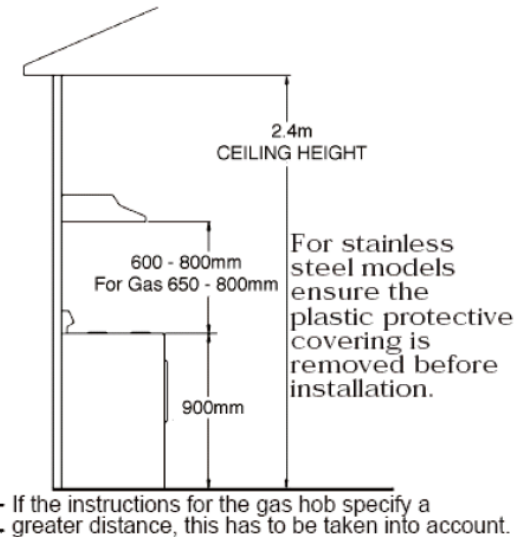
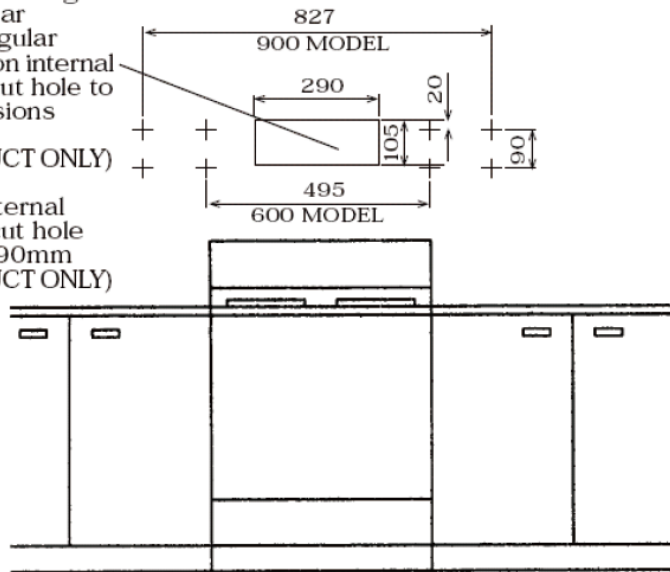
The appliance has been designed to exhaust cooking fumes externally. Before installation, please ensure that the following have been supplied and that the tools listed below are readily available.

Installation Instructions

WALL MOUNTING

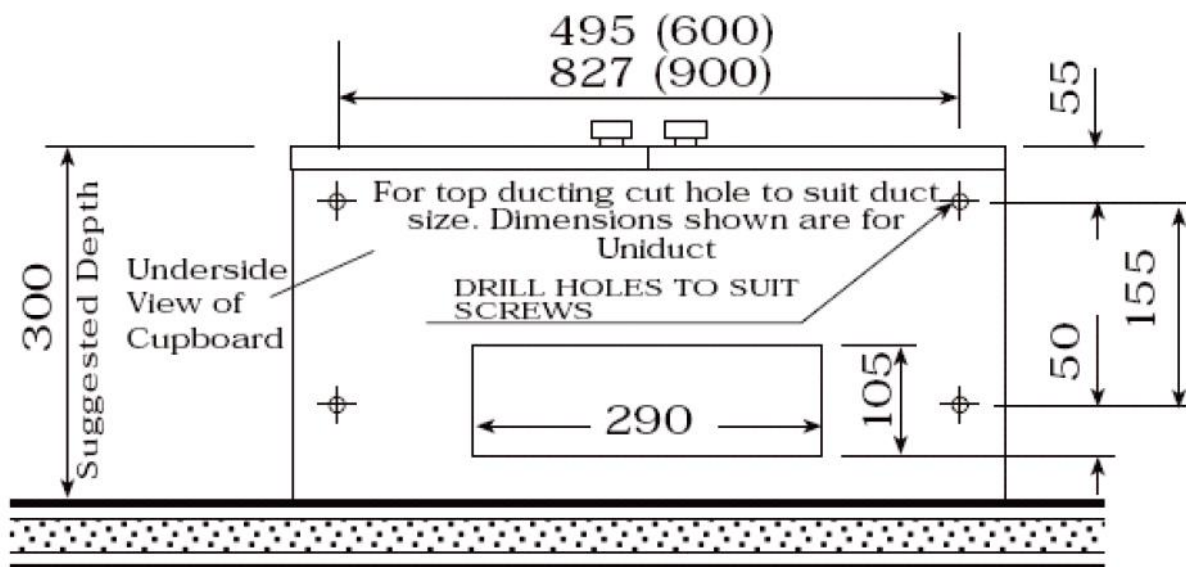
For mounting with rear rectangular ducts on internal walls cut hole to dimensions shown (UNIDUCT ONLY)

For external walls cut hole 90 x 290mm (UNIDUCT ONLY)



NOTE: The minimum distance between the hob surface and the lowest part of the rangehood should be 600mm. The distance should be at least 650mm if the rangehood is installed over a gas hob. If the instructions for the gas hob specify a greater distance, this has to be taken into account.

UNDER CUPBOARD MOUNTING




Installation Instructions

MOUNTING OPTIONS

Once mounting options has been decided, follow the instructions below.

NOTE: Mounting screws are not supplied. Use the appropriate mounting screws for each mounting options.

 **WARNING:** Failure to install the screws or fixing device in accordance with these instructions may result in electrical hazards!

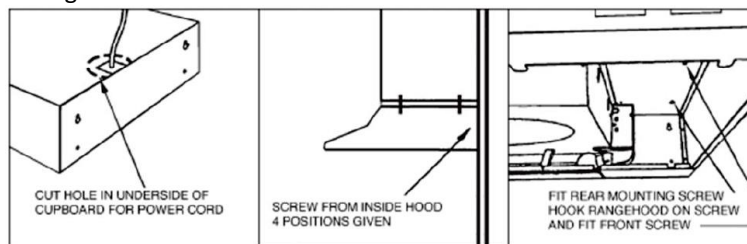
FOR MOUNTING TO REAR WALL

Mounting to stud is recommended. However, if fitted to gyprock board, a wall plug is required. Use the appropriate wall plug for the appropriate type of wall.



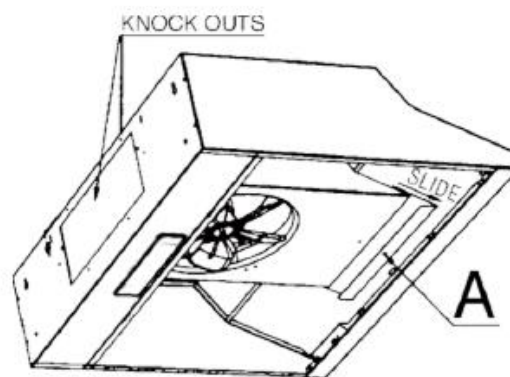
FOR MOUNTING TO UNDER CUPBOARD

- Check the screw length with thickness of cabinet panels.
- The power plug must be accessible after installation of the product to allow the unit to be disconnected from the power for cleaning and maintenance.



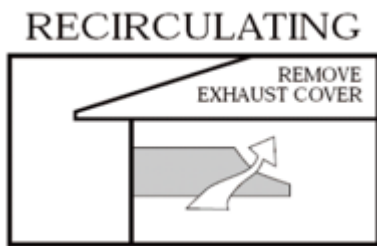
DUCTING

If the rangehood is installed in the recirculating mode, unscrew and slide out the vent cover "A". If the rangehood is to be installed as a ducted unit, remove the appropriate duct knock-out (top or rear) and ensure the vent cover is fastened in place. Refer also to ducting options (Next page).



Installation Instructions

DUCTING OPTIONS



Optional charcoal filter:
2534 (RCA600)



Rohinhood Rear ducting kit:
RHURCADUCTKIT



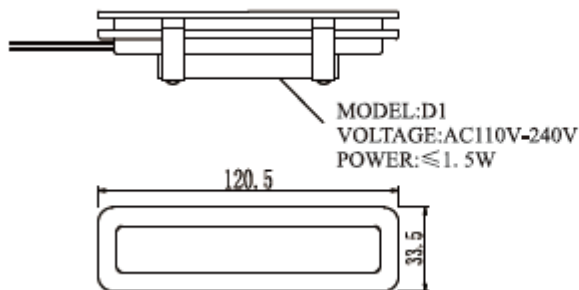
NOTE: When ducting, exhaust air must not be discharged into any chimney or flue which may carry combustion products from other sources. In addition, exhaust air must be discharged into a wall cavity, unless designed for the purpose.

LAMP REPLACEMENT



WARNING: The LED lamp must be replaced by a qualified electrician.

To replace a lamp, first disconnect the rangehood from the power supply and allow the lamp to cool down before touching.



ILCOS D code:
DSL-2-H-120.5 x 33.5 x 27

1. Gently pry out the LED lamp from around the gap.
2. Put on a new lamp, and ensure the installation is in place.

PARTS AND SERVICE


For Accessories, Parts or Services, please contact your local supplier or approved service agent.


Operation and Cleaning

OPERATION


After your rangehood is installed:

- 1- Check that the light and diffuser are in place.
- 2- Plug into 230-240V outlet.


 Keep power cord clear of stove elements or hot utensils.

 Permanent wiring to house supply, or modifications to plug or wire must be carried out by a registered electrician.

CLEANING

 Disconnect the Rangehood from power supply.

- 1- Wash aluminum filters every 2 or 3 months, depending on usage, with hot soapy water or in the dishwasher.
- 2- Charcoal filters should be replaced every three to six months depending on use.
- 3- Clean the external and internal surfaces including the fan blades, using a damp cloth and mild detergent.

 Do not use any powder or abrasive cleaners.

Warranty Certificate (New Zealand)

Terms and Conditions

The following conditions apply in respect of the warranty given in this certificate:

1. Monaco Corporation Limited ("Monaco") warrants the following Robinhood products against manufacturing defects and faulty materials, under normal use and subject to the exclusions in this certificate, for a period of:
Rangehood, Ovens, Cooktops, Dishwashers - 24 months from date of original purchase for domestic use.
Uniduct - 12 months from date of original purchase for domestic use.
Ironing centre - 12 months from date of original purchase for domestic use.
Laundry Tub - 5 years on stainless bowl, 24 months on Tap, Cabinet and other components from the date of original purchase for domestic use.

"Original purchase", when used in this certificate, means purchase by the customer directly from Monaco or one of its approved suppliers.

2. This warranty is limited to the repair or replacement, at our option, within the warranty period of any component part which we at our discretion determine to contain faulty materials or a manufacturing defect in breach of this warranty. This warranty is subject to terms and conditions set out in this certificate.
3. The warranty only applies within New Zealand.
4. The customer must produce the original invoice or other purchase documentation as proof of the original purchase date.

Warranty exclusions

1. The warranty does not apply where, in Monaco's opinion:
 - The defect is caused by misuse, wear and tear, dirt, fire or accidental damage.
 - The product has been repaired or serviced by an unauthorised person.
 - The product was not installed in accordance with our instructions.
 - The product was purchased overseas or was not designed for use in New Zealand.
 - The product was not used, cleaned or cared for in accordance with our instructions.
 - The product was used outdoors.
2. In addition, this warranty does not extend to damage or defects which in our opinion, directly or indirectly arise from or are due to:
 - Exposing the product to acidic or corrosive materials or chemicals such as dyes, solvents, denture cleaner or acetone;
 - Using inappropriate household cleaning products such as abrasive cream or powder cleansers, furniture polish, bleach, mentholated spirits, drain cleaners, sugar soap, metal pads and strongly alkaline or acidic cleaners;
 - Heat damage, including from washing the product at high temperatures;
 - Impact or mishandling the product, including the impact caused by objects scraped along, thrown or dropped on the product surface or excessive weight being placed on the product;
 - Structural or support changes in or affecting the building or the application where the product has been installed;
 - Failure to clean or maintain the product as recommended; or
 - any other causes specified in the product information as being excluded from this warranty.
3. Variations with the colour or gloss within the product or any ageing or fading of colour, shine or gloss level over time are not covered by this warranty. The warranty does not cover visual imperfections or blemishes in the surface and edges of the product that were not brought to your supplier's attention at the time you inspected the product.
4. Costs incurred on installation or removal of a product, or any reinstallation of a product, or any associated costs, are not covered by this warranty.
5. Monaco will not be liable for consequential or indirect loss or damage whatsoever and however arising out of or in connection with the supply, performance or removal of the product, including (but not limited to) loss of profit, loss of revenue, loss of contract, loss of goodwill or increased cost of workings, even if due to the negligence of Monaco or any of its approved suppliers, employees or agents.
6. Charcoal filters and light bulbs are not covered by this warranty
7. This warranty and the statements contained in this certificate or other documents given to you do not exclude, restrict or modify the application of any term implied into this warranty by statute, provided that (to the extent any statutory provision permits Monaco to limit its liability for a breach of an implied condition or warranty) Monaco's liability for such breach is limited to the payment of the cost of replacing the product, repairing the product or acquiring an equivalent product.
8. Subject to clause 5, our obligations under this warranty are limited to those set out in this certificate, and this warranty is expressly instead of all other warranties, express or implied, including any implied warranty of merchantability or fitness for a particular purpose and notwithstanding any course of dealing between the parties or custom and usage in trade to the contrary.

Terms and conditions are subject to change.

Warranty Certificate (Australia)

Terms and Conditions

If you are a consumer under the Australian Consumer Law, our goods come with guarantees that cannot be excluded under the Australian Consumer Law. You are entitled to a replacement or refund for a major failure and for compensation for any other reasonably foreseeable loss or damage. You are also entitled to have the goods repaired or replaced if the goods fail to be of acceptable quality and the failure does not amount to a major failure.

1. Shriro Australia Pty Limited ("Shriro") also warrants the following products against manufacturing defects and faulty materials, under normal use and subject to the exclusions in this certificate, for a period of:
 - Rangehood, Ovens, Cooktops, Dishwashers, Refrigeration - 24 months from date of original purchase for domestic use.
 - Uniduct – 12 months from date of original purchase for domestic use.
 - Ironing centre – 12 months from date of original purchase for domestic use.
 - Sinks sets– 5 years on stainless steel sink including draining bench from date of original purchase for domestic use, 6 months on all stainless steel accessories, including wire rack, colander and tray from date of original purchase for domestic use.
 - Laundry Tub - 5 years on stainless bowl, 24 months on Tap, Cabinet and other components from the date of original purchase for domestic use. "Original purchase", when used in this certificate, means purchase by the customer directly from Shriro or one of its approved suppliers.
2. This warranty is limited to the repair or replacement, at our option, within the warranty period of any component part which we at our discretion determine to contain faulty materials or a manufacturing defect in breach of this warranty. This warranty is subject to terms and conditions set out in this certificate.
3. The warranty only applies within Australia.
4. For warranty service outside of capital city metropolitan area or 30 km from nearest authorised service agent you will be liable for reasonable travelling expenses and the cost of transport of the product or parts to and from the service agent
5. To make a claim under this warranty, you must produce the original invoice or other purchase documentation as proof of the original purchase date. You must send your claim within 7 days of any alleged defect or failure of the product first becoming apparent. You are responsible for the expense of making a claim under this warranty.

This warranty is given by: Shriro Australia Pty Ltd ABN 28 002 386 129

Telephone: 1800 648 556

Facsimile: 1800 628 577

Email: customercare@shriro.com.au

www.robinhood.com.au

Attention: Customer Services Manager

Warranty exclusions

1. The warranty does not apply where, in Shriro's opinion:
 - The defect is caused by misuse, wear and tear, dirt, fire or accidental damage. The product has been repaired or serviced by an unauthorised person.
 - The product was not installed in accordance with our instructions.
 - The product was purchased overseas or was not designed for use in Australia.
 - The product was not used, cleaned or cared for in accordance with our instructions.
 - The product was used outdoors.
2. All rangehoods are suitable for indoor use only and not suitable over BBQs or charcoal cookers designed for outdoor use.
3. In addition, this warranty does not extend to damage or defects which in our opinion, directly or indirectly arise from or are due to: exposing the product to acidic or corrosive materials or chemicals such as dyes, solvents, denture cleaner or acetone; using inappropriate household cleaning products such as abrasive cream or powder cleansers, furniture polish, bleach, mentholated spirits, drain cleaners, sugar soap, metal pads and strongly alkaline or acidic cleaners; heat damage, including from washing the product at high temperatures; impact or mishandling the product, including the impact caused by objects scraped along, thrown or dropped on the product surface or excessive weight being placed on the product; structural or support changes in or affecting the building or the application where the product has been installed; failure to clean or maintain the product as recommended; or any other causes specified in the product information as being excluded from this warranty.
4. Variations with the colour or gloss within the product or any ageing or fading of colour, shine or gloss level over time are not covered by this warranty. The warranty does not cover visual imperfections or blemishes in the surface and edges of the product that were not brought to your supplier's attention at the time you inspected the product.
5. We will not be responsible under this warranty for, nor pay the costs of, removing the existing product, or reinstalling the new product, or any associated costs or damages.
6. Charcoal filters and light bulbs are not covered by this warranty.

The benefits given by this warranty are in addition to other rights and remedies of consumers under any law in relation to the goods which cannot be excluded.

This warranty certificate is not intended to create a contract between Shriro Australia Pty Limited and the purchaser.

New Zealand

Monaco Corporation Ltd

Telephone: (09) 415 6000

Facsimile: (09) 415 7400

Email: customercare@monacocorp.co.nz

www.robinhood.co.nz

Australia

Shriro Australia Pty Ltd

ABN 28 002 386 129

Telephone: 1800 648 556

Facsimile: 1800 628 577

Email: customercare@shriro.com.au