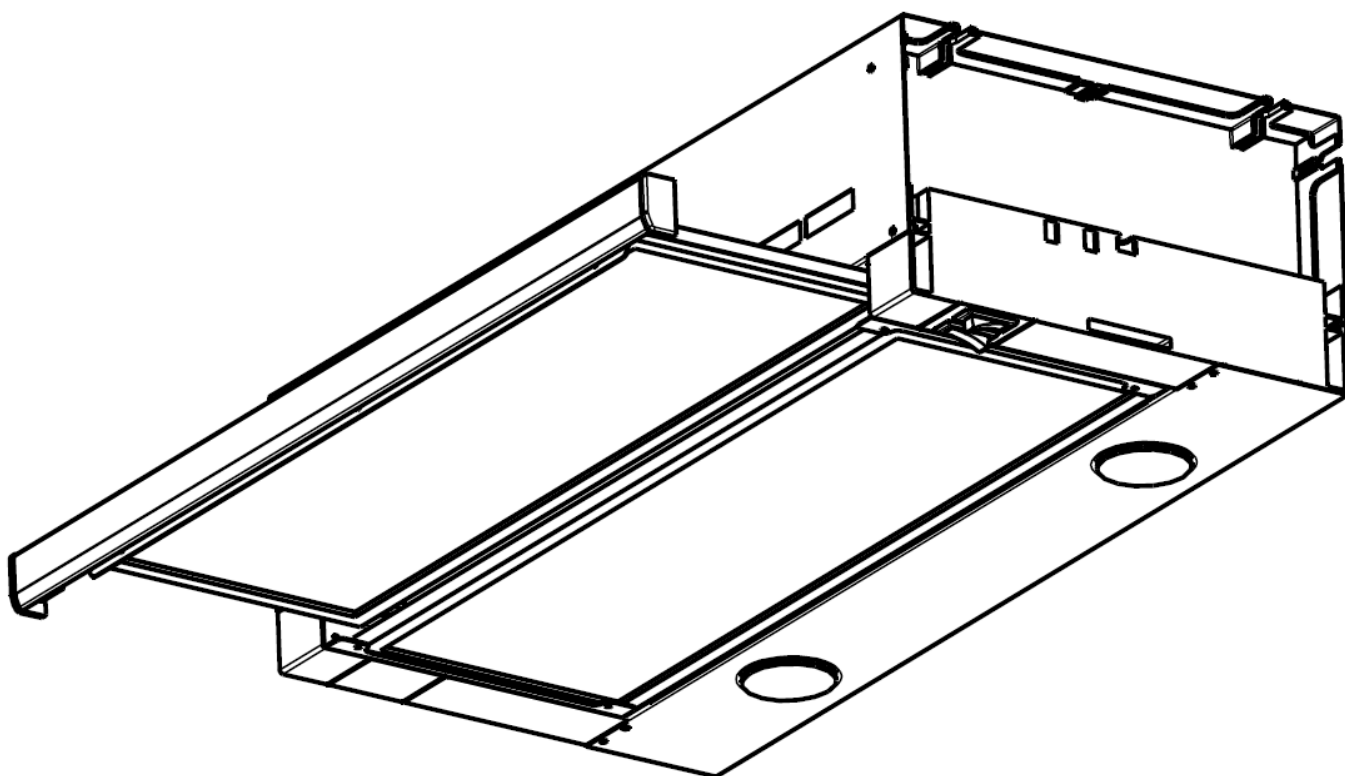
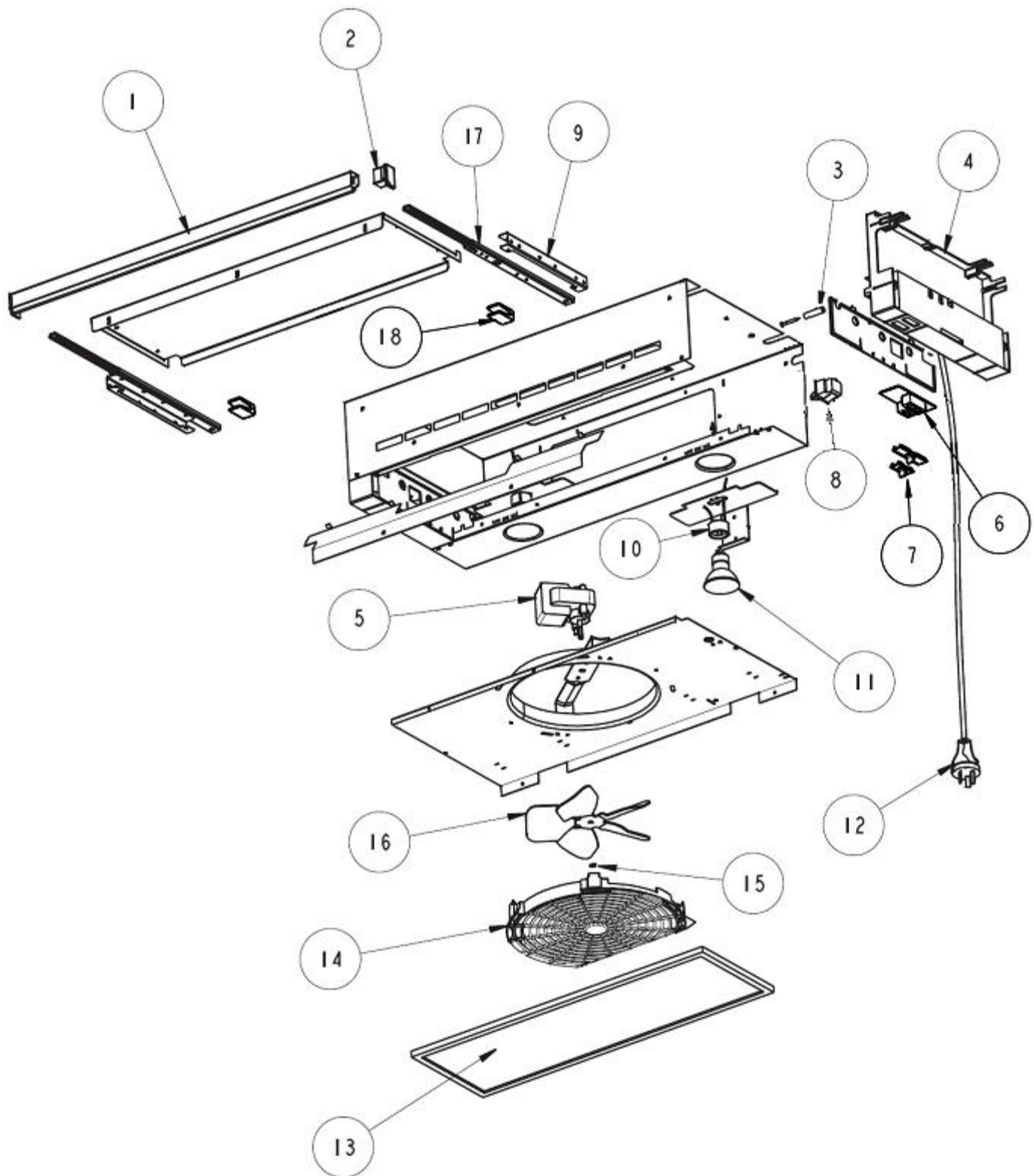


Description: **ROBINHOOD SLIDEOUT**
Model Number: **RLES6WH, RLES6SS, RLES9WH, RLES9SS**
RLES61SS/WH, RLES91SS/WH



Model pictured: **RLES6WH/SS RLES61SS/WH**

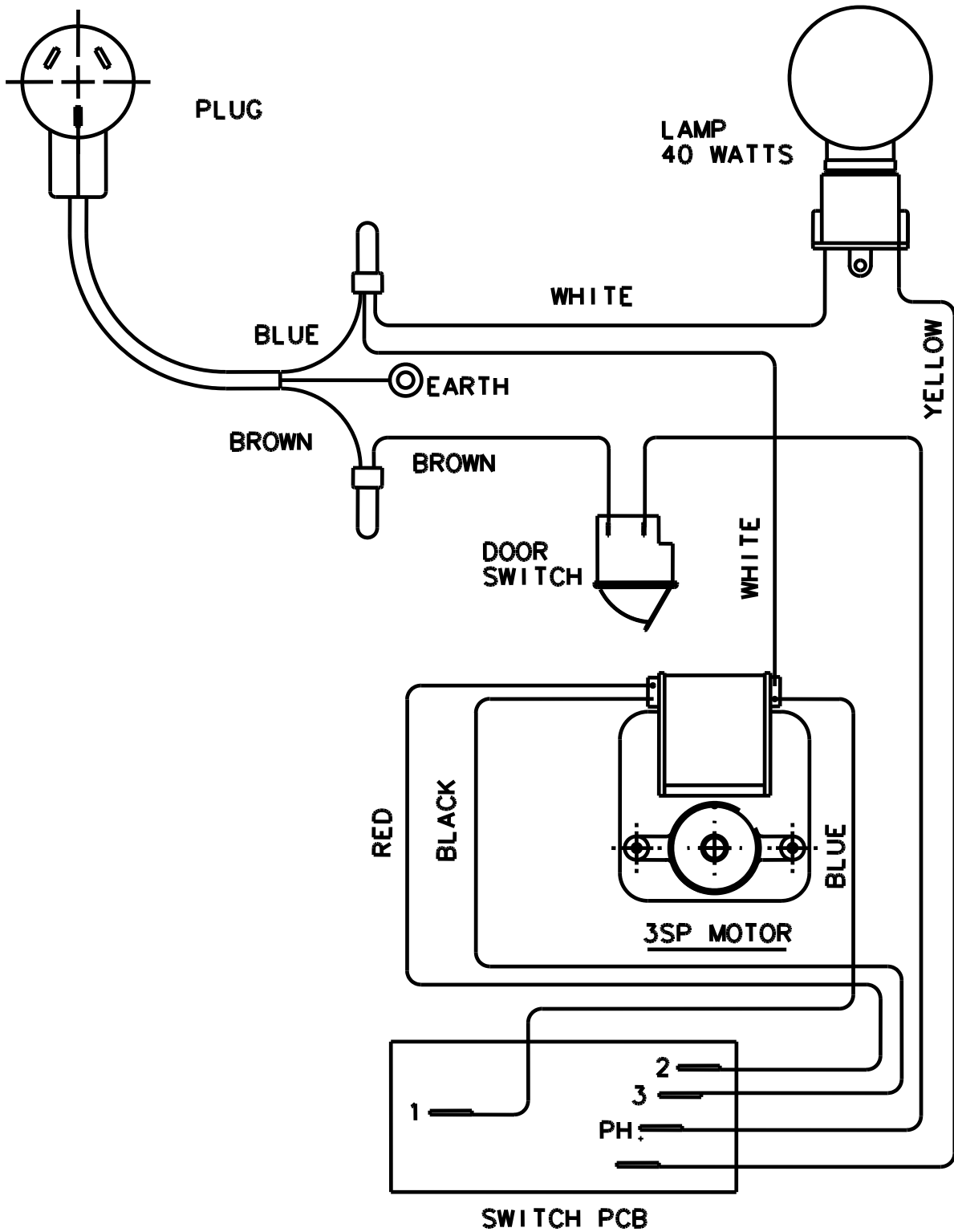
Exploded view



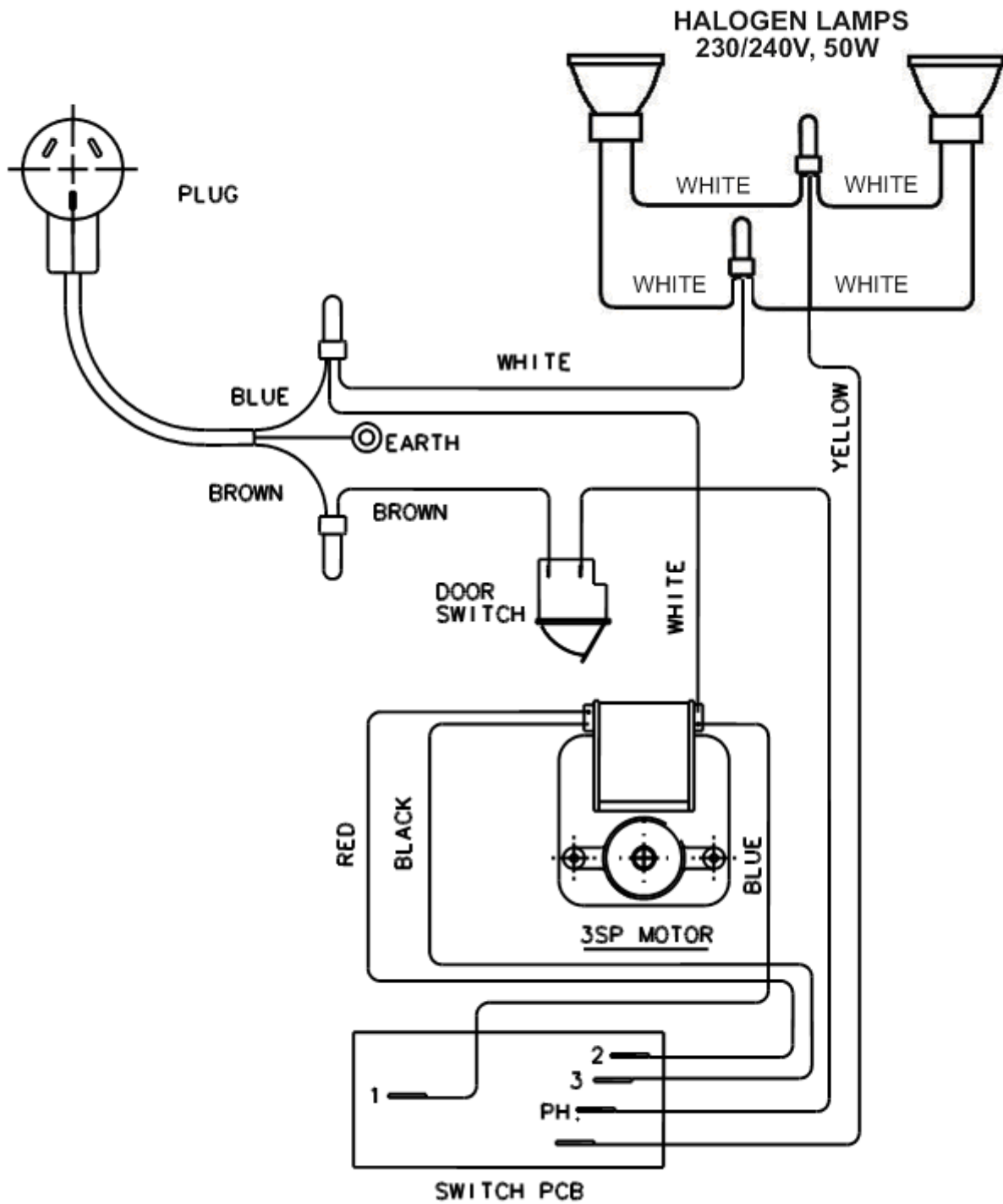
Item	Description	Part number	
		RLES6WH RLES61WH	RLES6SS RLES61SS
1	Front Handle 32mm	103774WH	103775SS
2	End Cap 32mm <i>(If manufactured post 31/7/09)</i>	103778WH	103778BL
	End Cap 32mm <i>(If manufactured between 8/9/08 and 31/7/09) – confirm colour</i>		103778BL or 103778WH
	End Cap 32mm <i>(If manufactured pre 8/9/08)</i>		103778BL
3	Side Fixing Screw and Hollow Dowel Kit (4 pieces)	111053	
4	Side plastic kit includes both sides and inner covers <i>(If manufactured post 31/7/09)</i>	111050	111051
	Side plastic kit as above <i>(If manufactured between 8/9/08 and 31/7/09) – confirm colour</i>		111050 or 111051
	Side plastic kit as above <i>(If manufactured pre 8/9/08)</i>		111051
5	Uppco Motor – 3 Speed	103674	
6	PCB for 3 Speed Switch	103593	
7	Slider Switches <i>(If manufactured post 31/7/09)</i>	102268WH	102268BL
	Slider Switches <i>(If manufactured between 8/9/08 and 31/7/09) – confirm colour</i>		102268WH or 102268BL
	Slider Switches <i>(If manufactured pre 8/9/08)</i>		102268BL
8	Door Switch	102686	
9	Slider Bracket <i>(If manufactured post 31/7/09)</i>	103358WH	103358WH
	Slider Bracket <i>(If manufactured between 8/9/08 and 31/7/09) – confirm colour</i>		103358WH or 103358BL
	Slider Bracket <i>(If manufactured pre 8/9/08)</i>		103358BL
10	Halogen lamp holder <i>(If manufactured post 21/4/08)</i>	111021	
	Halogen lamp holder <i>(If manufactured between 24/11/08 and 18/12/08)</i>	111075	
	Incandescent lamp holder <i>(If manufactured pre 21/4/08)</i>	101104	
11	Halogen Lamp <i>(If manufactured post 21/4/08)</i>	111020	
	Incandescent Lamp <i>(If manufactured pre 21/4/08)</i>	102722	
NS	Incandescent lamp diffuser <i>(If manufactured pre 21/4/08)</i>	103125	
12	Power Cord	103821	
13	Filter Aluminium Mesh 478 x 188	103831	
	Filter Charcoal 478 x 188 (pack of 2)	14971	
14	Finger Guard	103943	
15	E-Clip	999084	
16	Fan Blade	102283	
17	Sliding track <i>(If manufactured post 31/7/09)</i>	114350	
	Sliding track <i>(If manufactured pre 31/7/09)</i>	102245	
18	Filter Clip – <i>(If manufactured pre 21/4/08)</i>	102224BLNZ	
	Filter Clip – <i>(If manufactured post 21/4/08)</i>	102224WHRH Right Hand & 102224WHLH Left Hand	

Item	Description	Part number	
		RLES9WH RLES91WH	RLES9SS RLES91SS
1	Front Handle 32mm x 900mm White unscreened	103776WH.SP	103777SS
2	End Cap 32mm <i>(If manufactured post 31/7/09)</i>	103778WH	103778BL
	End Cap 32mm <i>(If manufactured between 8/9/08 and 31/7/09) – confirm colour</i>		103778BL or 103778WH
	End Cap 32mm <i>(If manufactured pre 8/9/08)</i>		103778BL
3	Side Fixing Screw and Hollow Dowel Kit (4 pieces)	111053	
4	Side plastic kit includes both sides, inner covers <i>(If manufactured post 31/7/09)</i>	111050	111051
	Side plastic kit as above <i>(If manufactured between 8/9/08 and 31/7/09) – confirm colour</i>		111050 or 111051
	Side plastic kit as above <i>(If manufactured pre 8/9/08)</i>		111051
5	Uppco Motor – 3 Speed	103674	
6	PCB for 3 Speed Switch	103593	
7	Slider Switches <i>(If manufactured post 31/7/09)</i>	102268WH	102268BL
	Slider Switches <i>(If manufactured between 8/9/08 and 31/7/09) – confirm colour</i>		102268WH or 102268BL
	Slider Switches <i>(If manufactured pre 8/9/08)</i>		102268BL
8	Door Switch	102686	
9	Slider Bracket <i>(If manufactured post 31/7/09)</i>	103358WH	103358WH
	Slider Bracket <i>(If manufactured between 8/9/08 and 31/7/09) – confirm colour</i>		103358WH or 103358BL
	Slider Bracket <i>(If manufactured pre 8/9/08)</i>		103358BL
10	Halogen lamp holder <i>(If manufactured post 21/4/08)</i>	111021	
	Halogen lamp holder <i>(If manufactured between 24/11/08 and 18/12/08)</i>	111075	
	Incandescent lamp holder <i>(If manufactured pre 21/4/08)</i>	101104	
11	Halogen Lamp <i>(If manufactured post 21/4/08)</i>	111020	
	Incandescent Lamp <i>(If manufactured pre 21/4/08)</i>	102722	
NS	Incandescent lamp diffuser <i>(If manufactured pre 21/4/08)</i>	103125	
12	Power Cord	103821	
13	Filter Aluminium Mesh 778 x 188	103627	
	Filter Charcoal 778 x 188 (pack of 2)	14981	
14	Finger Guard	103943	
15	E-Clip	999084	
16	Fan Blade	102283	
17	Sliding track <i>(If manufactured post 31/7/09)</i>	114350	
	Sliding track <i>(If manufactured pre 31/7/09)</i>	102245	
18	Filter Clip – <i>(If manufactured pre 21/4/08)</i>	102224BLNZ	
	Filter Clip – <i>(If manufactured post 21/4/08)</i>	102224WHRH Right Hand & 102224WHLH Left Hand	

Wiring diagram - For models manufactured before the 21st April 2008



Wiring diagram - For models manufactured after the 21st April 2008



New Zealand

Parbury (NZ) Limited
Telephone: 0800 760 667
Facsimile: 0800 276 246
Email: enquiries@robinhood.co.nz
www.robinhood.co.nz

Australia

Parbury Pty Limited
(ABN 83 004 568 138)
Telephone: 1800 648 556
Facsimile: 1800 628 577
Email: enquiries@robinhood.com.au
www.robinhood.com.au