

 **CVS**Health.

CONVERTIBLE
**SHOWER CHAIR
& STOOL**

by

**MICHAEL
GRAVES
DESIGN**

superior design
+ function for the
best daily care

INSTRUCTION MANUAL



CVS Health® Convertible Shower Chair & Stool



by

**MICHAEL
GRAVES
DESIGN**

At CVS Health®, we are passionate advocates for transforming health care into a more personalized experience through new technologies and innovations that can help improve the quality of your everyday life. Architect and designer Michael Graves shared these values and our partnership with Michael Graves Design brings you a collection of thoughtfully created adaptive products that deliver superior comfort, style, and functionality. It is through partnerships like this and many others that we continue to bring you innovations in care.

ERGONOMIC

- Sturdy design improves user experience
- Contoured comfortable seat & backrest
- Seat angle easily wicks water away

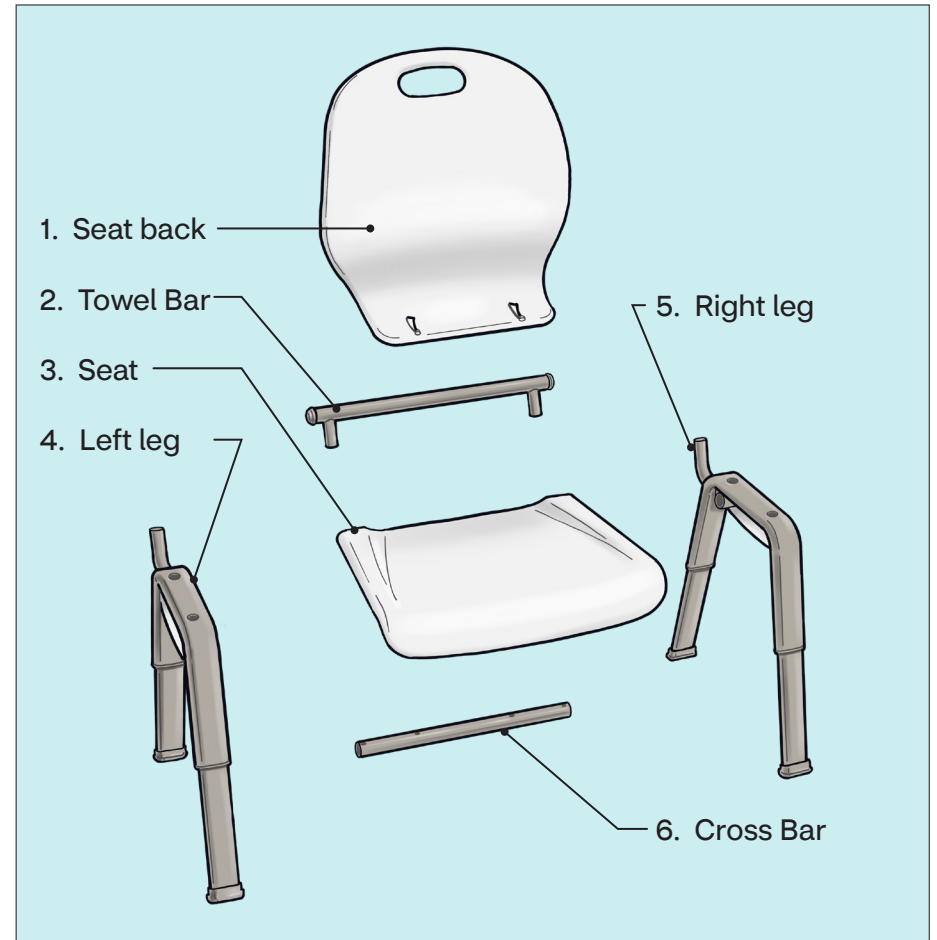
CUSTOMIZABLE

- Removable backrest for use as a stool
- Built in retractable shower sprayer accessory

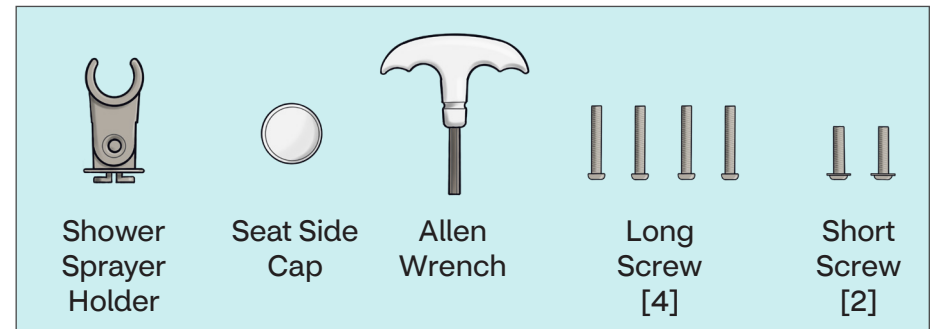
SIMPLE

- Refined furniture look integrates with bathroom fixtures
- Easy to clean

Parts for your new Convertible Shower Chair & Stool

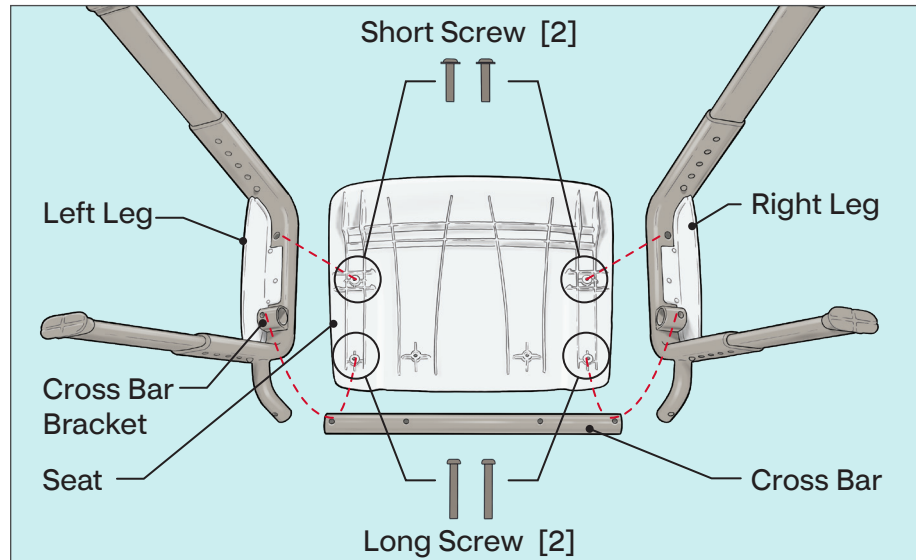


Accessories and Hardware



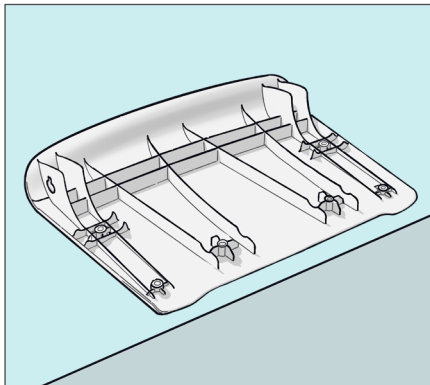
How to Assemble your new Shower Chair & Stool

For this assembly, find a sturdy table or counter to use and cover it with a towel or something protective.



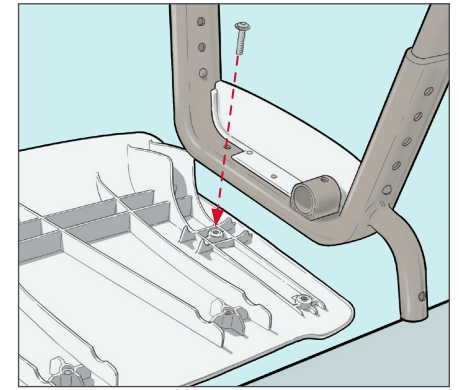
Orient the parts as shown above. Note that the height adjustment holes on the Legs should face the back edge of the seat. The plastic side panels on the Legs should be facing outward and the Cross Bar Brackets should be facing inward. There are 6 mounting points for screws on the bottom of the seat. This part of the assembly will use the 4 identified above with the noted hardware.

1. Lay the Seat on a covered flat surface like a table or counter with the seat top facing down. Align the back edge with the edge of your surface.

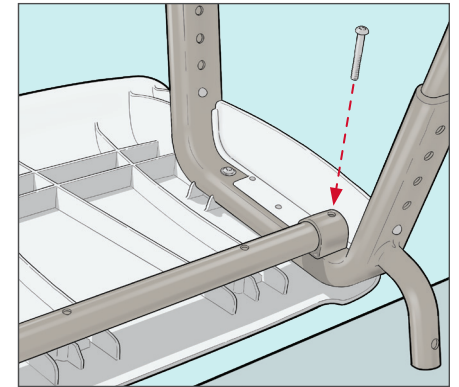


2. Place the Right Leg on the seat. Align it to the supports on the seat bottom. Using the supplied Allen Wrench, attach it with only the short screw first. You will fully secure it in the following steps.

⚠ Do not over-tighten or use power tools to assemble.

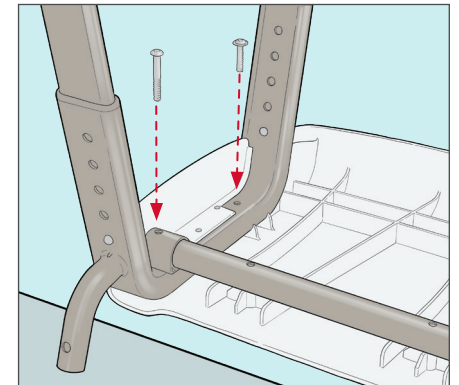


3. Place the Cross Bar into the Cross Bar Bracket so that the holes in the Bracket and Cross Bar lineup. Place a Long Screw through these holes, then screw it into the Seat using the supplied Allen Wrench. Do not fully tighten the screw yet.



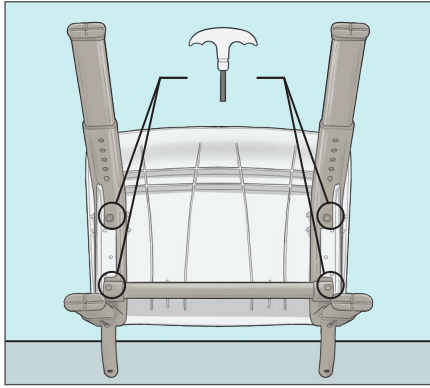
4. Place the Left Leg onto the seat, capturing the Cross Bar in the Bracket. Secure the Legs with the remaining Short Screw and Long Screw as shown.

Instructions continue on the next page.



How to Assemble your new Shower Chair & Stool

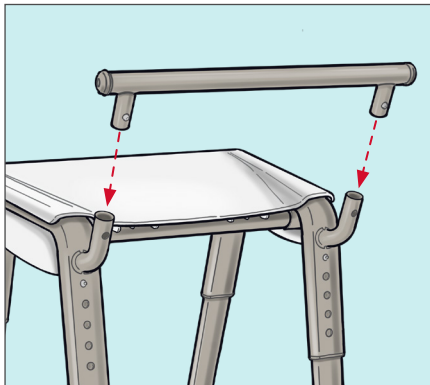
5. Tighten all 4 screws with the included Allen Wrench.



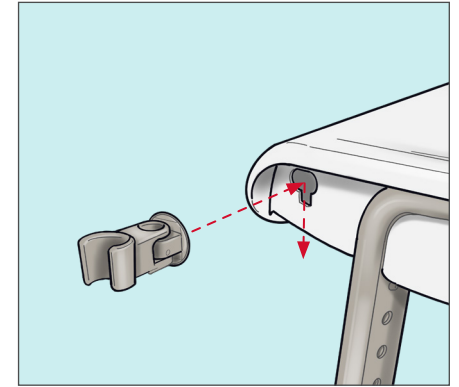
6. Turn chair upright and place the chair on the floor.



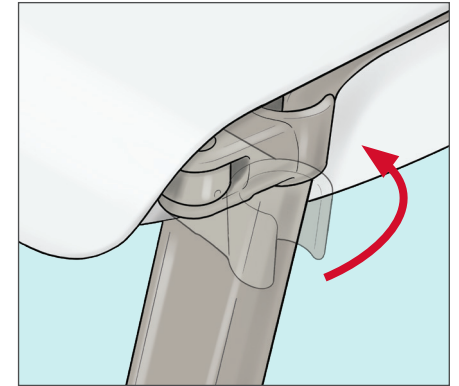
7. Attach the Towel Bar to the back support tubes. Orient the Towel Bar so the spring pins face the back of the chair, press the spring pins, then insert into the support tubes. Make sure the spring pins click into the holes on the support tubes.



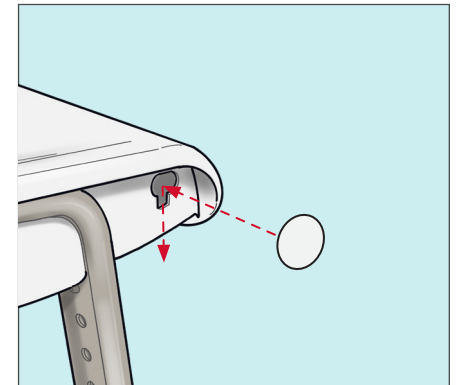
8. Attach Shower Sprayer Holder to desired side of the shower chair by placing it in the hole, then sliding down until it is secure.



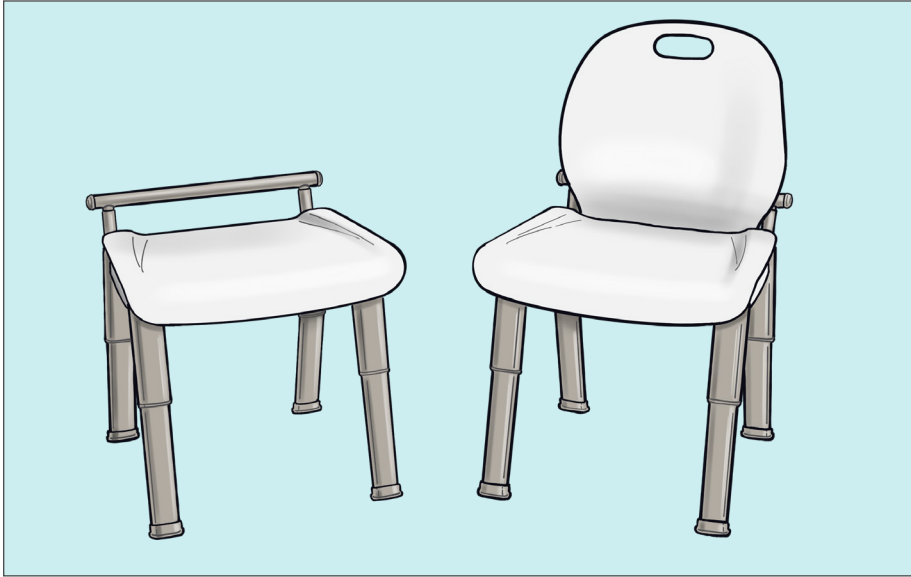
9. The Shower Sprayer Holder can be folded 90° to store beneath the edge of the seat.



10. Place the Seat Side Cap into the hole on the other side of seat to cover the hole there if desired.

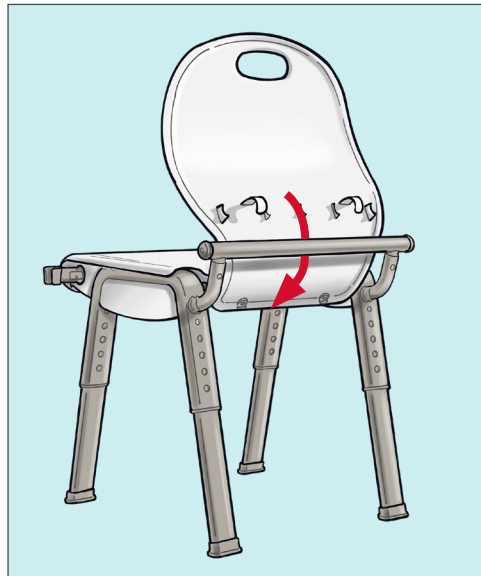


Optional Seat Back Attachment



The Shower Chair can be used as a stool or a chair. For use as a chair, follow the instructions below for attaching the Seat Back.

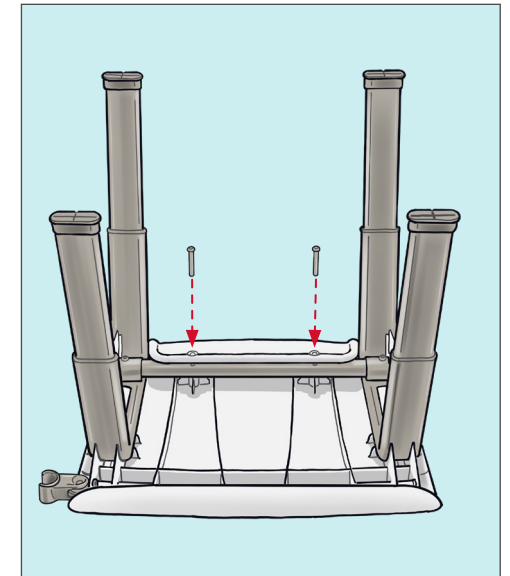
1. Slide bottom lip of Seat Back between Towel Bar and Seat. The Seat Back lip connects underneath the Seat to the Cross Bar.



2. Securely clip the Seat Back to the Towel Bar.



3. Tilt the chair forward and attach Seat Back to Cross Bar using included Long Screws and Allen Wrench.

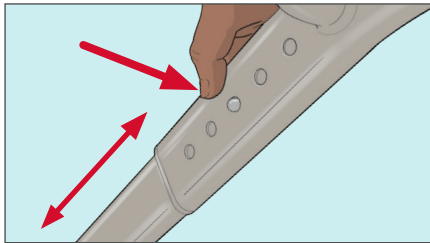


How to Adjust the Height of your Shower Chair



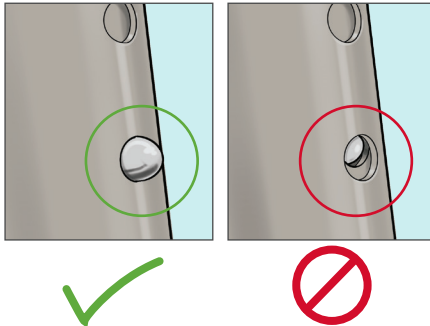
1. Your Shower Chair is height adjustable. The seat height can be set in 1" increments between 17" and 21". Ask your healthcare provider if you are unsure which height is best for you.

2. Press the spring pin on one leg and set to the desired height using the holes on the leg tube. You should hear an audible "click" when it locks in place.



3. Repeat for the other three legs.

Before using your Shower Chair, confirm all spring pins are locked in place.



Use and Tips

- Check to make sure all parts are secure before each use. If the Legs or Seat Back seem loose, tighten the screws using the supplied Allen Wrench.
- Make sure all feet are firmly contacting the floor or tub base when positioning chair in shower, tub or bath area.
- Check rubber leg tips periodically for wear, do not use the product if tips are cracked.

The CVS Health® Collection

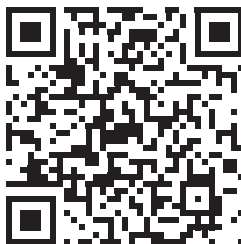
The CVS Health® Superior Home Healthcare collection designed by Michael Graves Design includes several solutions that deliver superior design + function for the best daily care.



Important

1. Do not exceed weight capacity of 300 lbs.
2. To ensure an even and stable height, make sure that the height-adjustment buttons are securely through and visibly protruding through the same respective height adjustment hole on each leg.
3. Check height adjustment points and all joints and fittings before each use to ensure product is secure and stable.
4. Do not place on uneven surfaces.
5. Do not use if the product feels unstable, unlevel or wobbly.
6. Do not stand on the product.
7. Do not twist, turn or lean excessively while using the product as it may cause loss of balance.
8. Do not use if the rubber leg tips look cracked or worn.
9. Wipe clean with a nonabrasive cleaner and warm water.

Distributed by: CVS Pharmacy, Inc.
One CVS Drive, Woonsocket, RI 02895
© 2021 CVS/pharmacy
CVS.com® 1-800-SHOP CVS
Made in China
V-37417



Scan here to learn more about our partnership with Michael Graves Design and view additional products.