

TRADE CLOSER

Loose-length cavity closer for retro-fitting into new-build or refurbishment cavity walls. Provides damp proof course and thermal break at door and window openings.

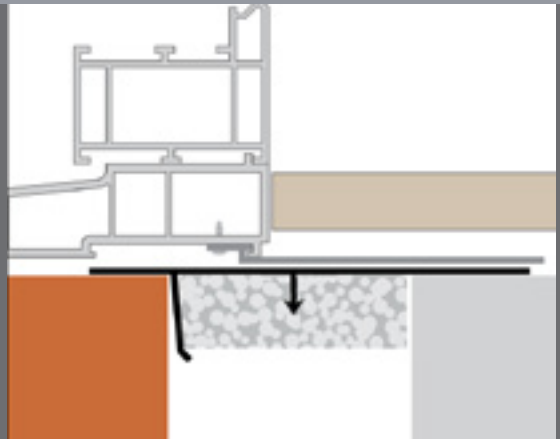


APPLICATION – TRADE CLOSER

In new-build projects where the walls have already been built, or in replacement and refurbishment projects, use the Trade Closer to seal the cavity at wall openings.

Nail fix the Trade Closer to the brick or block walls before final sealant and plasterboard finishing.

Position windows at least 30mm over the cavity for best thermal performance and to meet Accredited Construction Details.

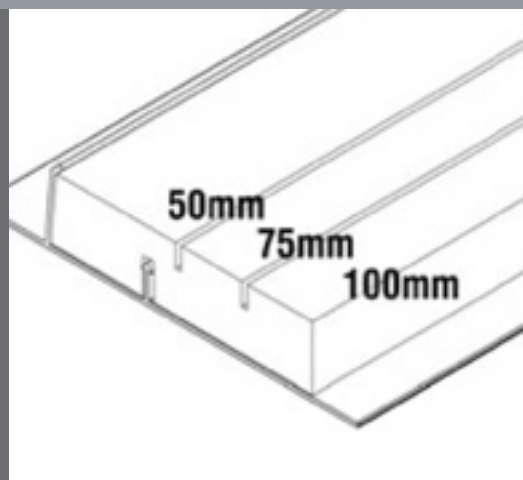


TRIMMING TO SIZE – TRADE CLOSER

In new-build projects where the walls have already been built, or in replacement and refurbishment projects, use the Trade Closer to seal the cavity at wall openings.

Nail fix the Trade Closer to the brick or block walls before final sealant and plasterboard finishing.

Position windows at least 30mm over the cavity for best thermal performance and to meet Accredited Construction Details.



BENEFITS OF TRADE CLOSERS



Meets Accredited Construction Details



Closes cavity at cills and jambs



Zero global warming potential insulation



Zero ozone depletion potential insulation



Post-consumer PVC-U – highly sustainable



Easy fix - clout nail to brick or blockwork



Trim to your cavity width



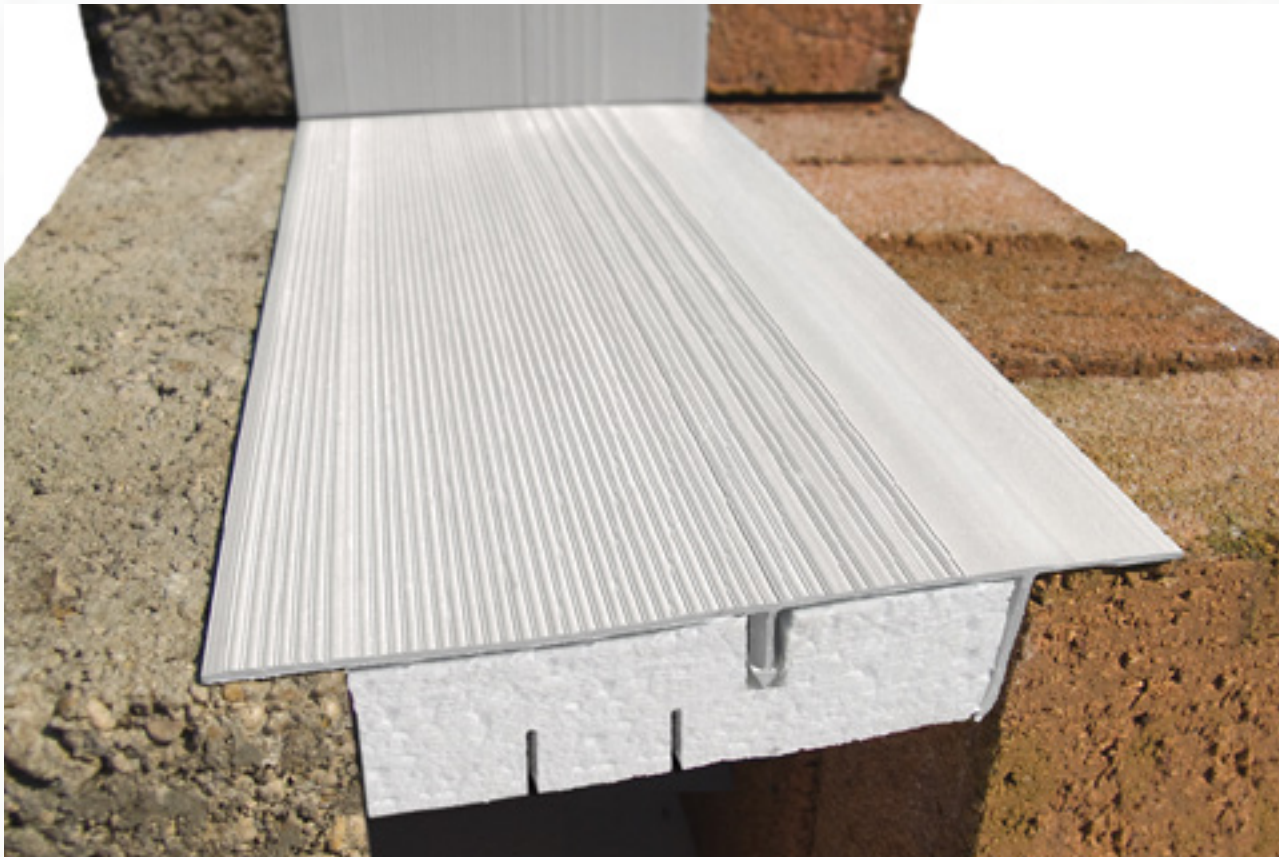
Prevents condensation with thermal break



Contributes to energy efficient construction

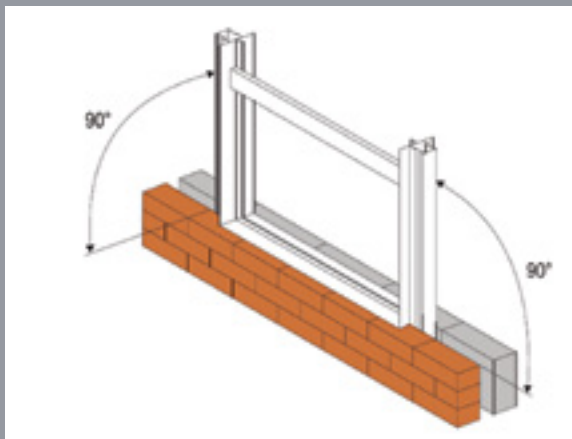


Suitable for new build and refurbishment



EASY TO INSTALL

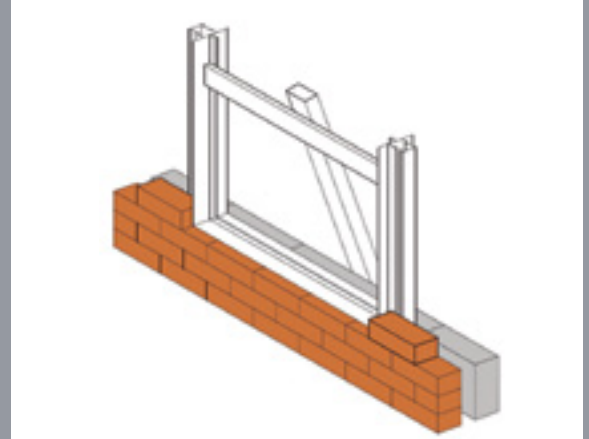
Follow these simple steps to install the Fabricator frames



1

CHECK THAT THE CLOSER IS LEVEL AND SQUARE

Follow these simple steps to install the Cavalok Cavity Closer.



2

PROP THE FORMER

Prop the former to ensure it remains plumb, and build up the coursework around the former by one course.

4

CONTINUE TO BUILD THE COURSEWORK

Continue to build the coursework up around the frame in the normal manner, ensuring that the frame remains plumb. Brick ties should be inserted every third outer course, and every other inner course. (A minimum of three per vertical).

