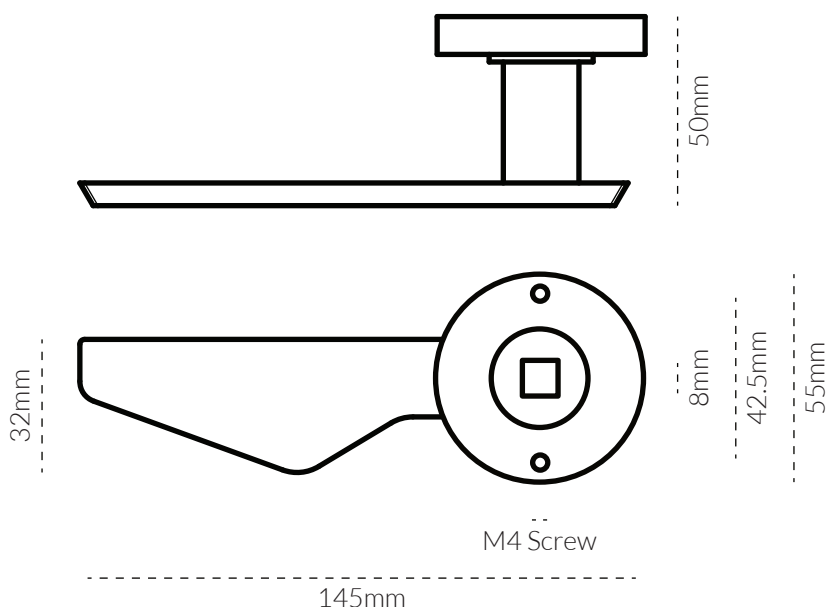




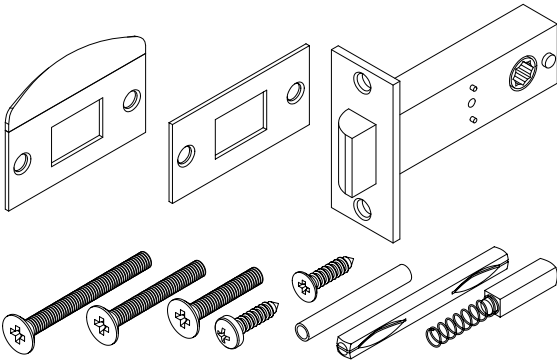


OUTLINE C LEVER PULL 145MM

TECH SPEC

SPECIFICATIONS



FINISH	SKU	FIXINGS ALSO INCLUDED
 Tumbled Brass  Tumbled Nickel	4224-L/R-TB 4224-L/R-AB	<ul style="list-style-type: none"> - 1x Striker Plate - 1x Latch Plate - 1x Latch - 2x M4 * 15mm Screw - 2x M4 * 25mm Screw - 2x M4 * 35mm Screw - 4x 2ga Screw - 6x 2ga Self-tapping Screw - 2x M4 Screw Extension - 1x M8 Pin - 2x M8 Spring Pin 

CARE INSTRUCTIONS

Wipe with damp cloth and avoid using any chemicals.