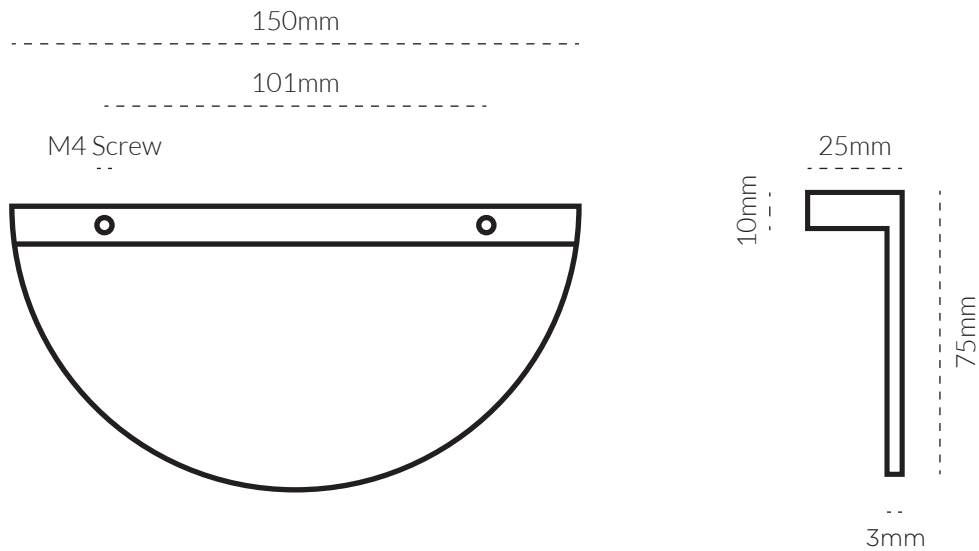

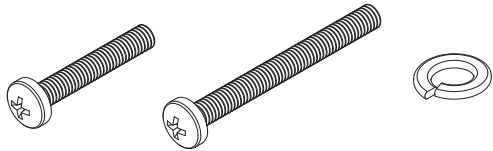









# LUNA PULL XL 150MM

## TECH SPEC

### SPECIFICATIONS



| FINISH   | SKU              | FIXINGS ALSO INCLUDED  |
|--|------------------|--|
|  Natural Brass  | 4040-150-US4-25  | <ul style="list-style-type: none"> <li>- 2x M4 * 25mm Screw</li> <li>- 2x M4 * 40mm Screw</li> <li>- 2x M4 Spring Washer</li> </ul>  |
|  Aged Brass     | 4040-150-AB-25   |  |
|  Tumbled Brass  | 4040-150-TB-25   |  |
|  Bronze         | 4040-150-BR-25   |  |
|  Brushed Nickel | 4040-150-BN-25   |  |
|  Tumbled Nickel | 4040-150-TN-25   |  |
|  Matte Black    | 4040-150-US19-25 |  |
|  Matte White    | 4040-150-W-25    |  |

### CARE INSTRUCTIONS

Wipe with damp cloth and avoid using any chemicals.