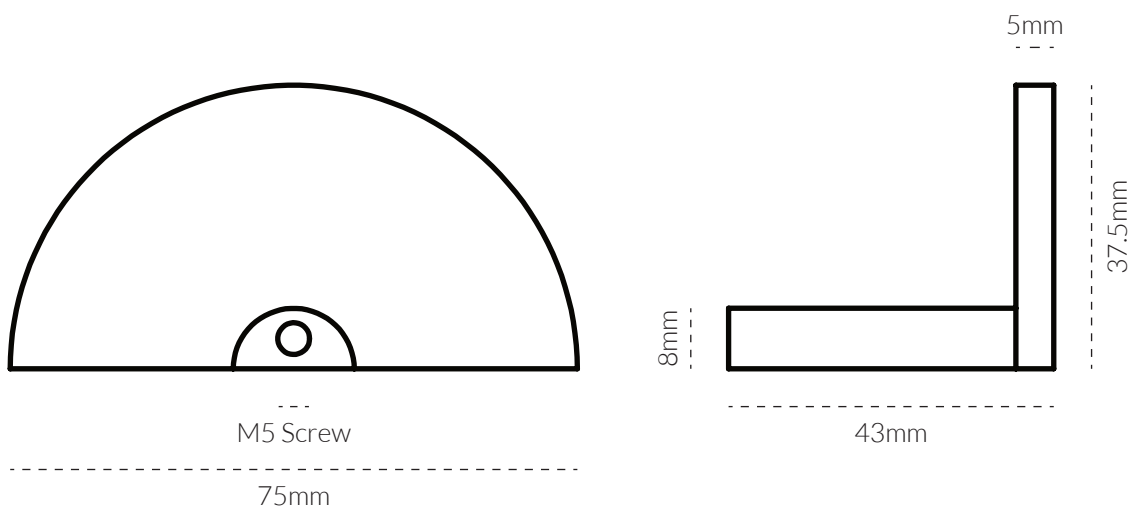



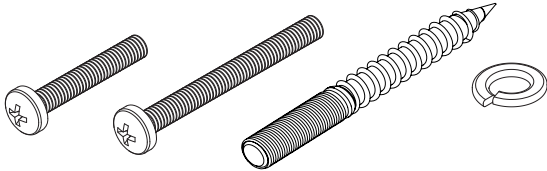








LUNA HOOK 75MM

TECH SPEC

SPECIFICATIONS



| FINISH | SKU | FIXINGS ALSO INCLUDED |
|--|-----------|---|
|  Natural Brass | 4059-US4 | <ul style="list-style-type: none"> - 1x M5 * 25mm Screw - 1x M5 * 40mm Screw - 1x M5 Spring Washer - 1x M5 *40mm Coach Screw  |
|  Aged Brass | 4059-AB | |
|  Tumbled Brass | 4059-TB | |
|  Bronze | 4059-BR | |
|  Brushed Nickel | 4059-BN | |
|  Matte Black | 4059-US19 | |
|  Matte White | 4059-W | |

CARE INSTRUCTIONS

Wipe with damp cloth and avoid using any chemicals.