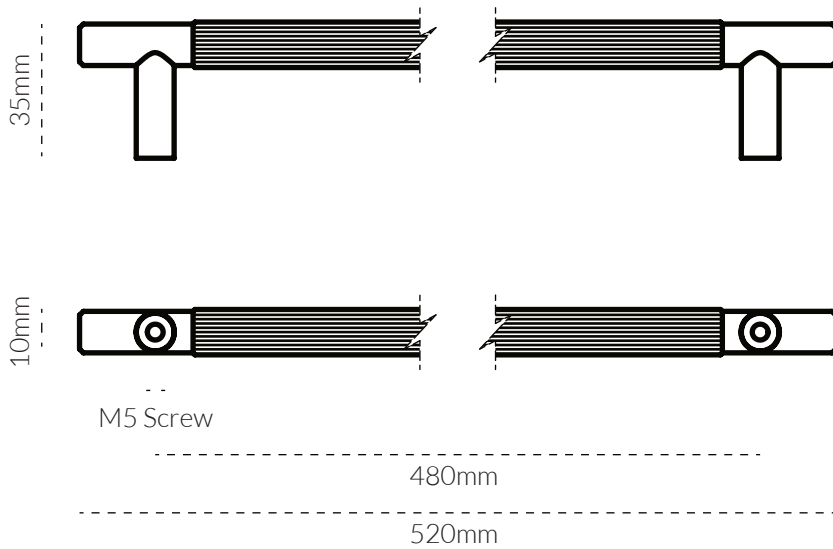



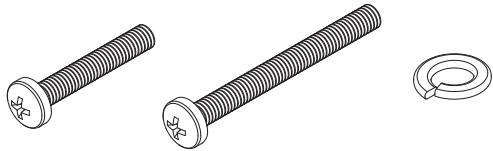







# LINEAR PULL LARGE 520MM

## TECH SPEC

### SPECIFICATIONS



FINISH	SKU	FIXINGS ALSO INCLUDED
 Natural Brass	4055-520-US4	<ul style="list-style-type: none"> <li>- 2x M5 * 25mm Screw</li> <li>- 2x M5 * 40mm Screw</li> <li>- 2x M5 Spring Washer</li> </ul> 
 Aged Brass	4055-520-AB	
 Bronze	4055-520-BR	
 Brushed Nickel	4055-520-BN	
 Matte Black	4055-520-US19	
 Matte White	4055-520-W	

### CARE INSTRUCTIONS

Wipe with damp cloth and avoid using any chemicals.