



LINCOLN PULL MEDIUM 200MM

TECH SPEC

SPECIFICATIONS

20mm
8mm



2ga Screw


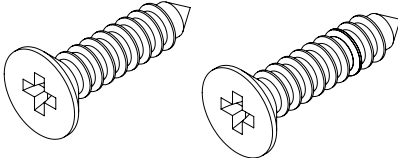





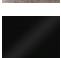

170mm

200mm



3mm 27mm 15mm

45mm

FINISH	SKU	FIXINGS ALSO INCLUDED
 Natural Brass	4034-200-US4	- 2x 2ga * 15mm Timber Screw - 2x 2ga * 20mm Timber Screw 
 Aged Brass	4034-200-AB	
 Tumbled Brass	4034-200-TB	
 Bronze	4034-200-BR	
 Brushed Nickel	4034-200-BN	
 Tumbled Nickel	4034-200-TN	
 Matte Black	4034-200-US19	
 Matte White	4034-200-W	

CARE INSTRUCTIONS

Wipe with damp cloth and avoid using any chemicals.