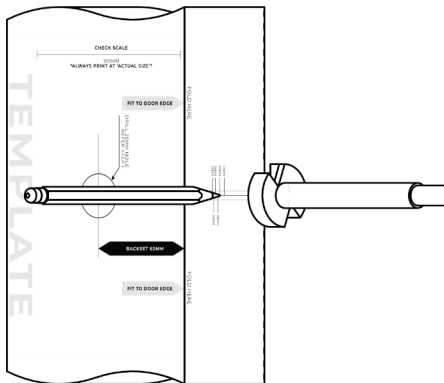


HARDWARE | PRIVACY TURN

INSTALLATION INSTRUCTIONS

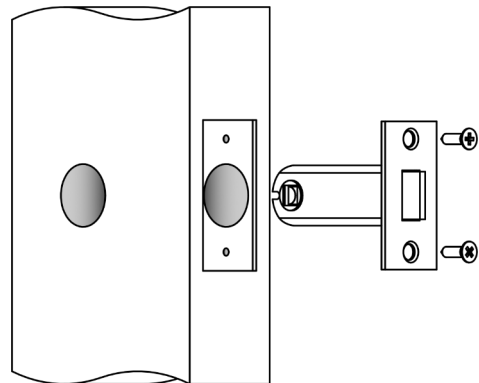
STEP 1 - FITTING THE LATCH

1. Prepare handle height on door, recommended height is between 900-1000mm
2. Draw a horizontal line on the door at your nominated height from edge of the door to 60mm in from the door edge.
3. Repeat the steps above on the other side of the door
4. Drill a 25mm latch hole on the door edge
5. Drill a 25mm hole through the door face



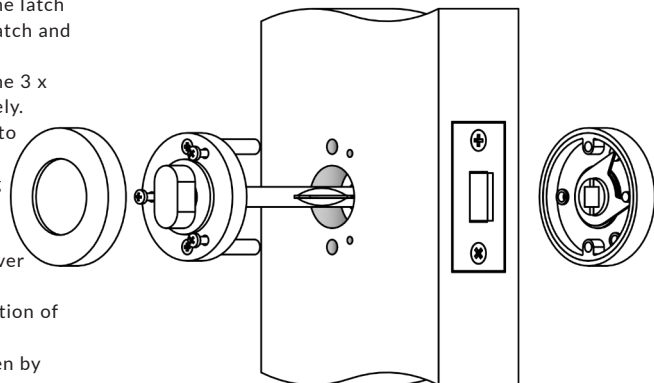
STEP 2 - FITTING THE LATCH

6. Mark and chisel door edge for the latch face plate, using the plate as your template.
7. Predrill the wood screw holes with the appropriate size drill
8. Insert the latch and fasten with the wood screws provided.



STEP 3 - FITTING THE PRIVACY TURN

9. Unscrew the rose covers to expose the fitting plates
10. Place the spindle halves in the levers and insert into the follower of the installed latch
11. Mark the screw holes whilst turn is inserted into the latch
12. Once holes are marked remove the turn from the latch and drill the fixing holes
13. Place one side of the turn back into the latch, fix the 3 x 2ga timber screws and 2 x 35mm M4 screws securely.
14. On the opposite side fix the m4 thread assemblies to the back of the 35mm M4 screws
15. Repeat with turn on opposite side, fixing remaining 3 x 2ga timber screws, and the 2 x 15mm M4 screws into the M4 thread assemblies.
M4 fastenings are optional but will prevent the lever handle from loosening over time
16. Check all fixings are tightened, then test the operation of the turn.
17. Screw the rose covers back into position and tighten by hand.

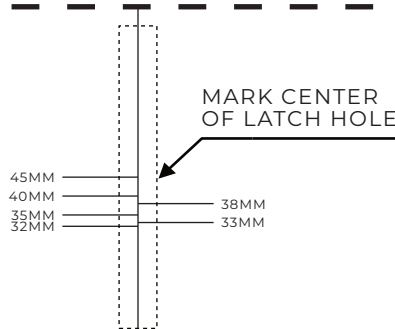




HARDWARE | PRIVACY TURN

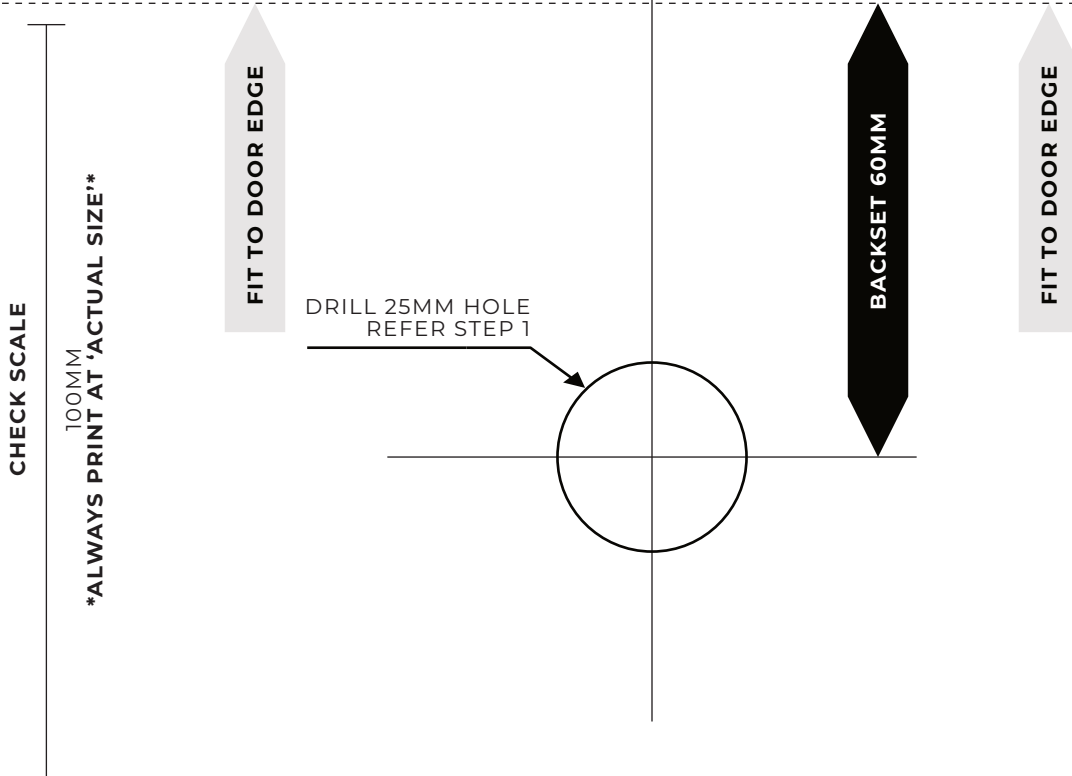
INSTALLATION TEMPLATE

*SUITS DOORS
32-45MM THICK



FOLD HERE

FOLD HERE



TEMPLATE